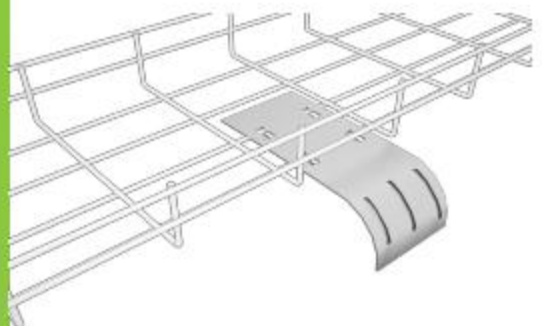


Accessories

Aksesuarlar

Cable Guider

Kablo İniş Elemanı (Tırnaklı)



SON 430 20

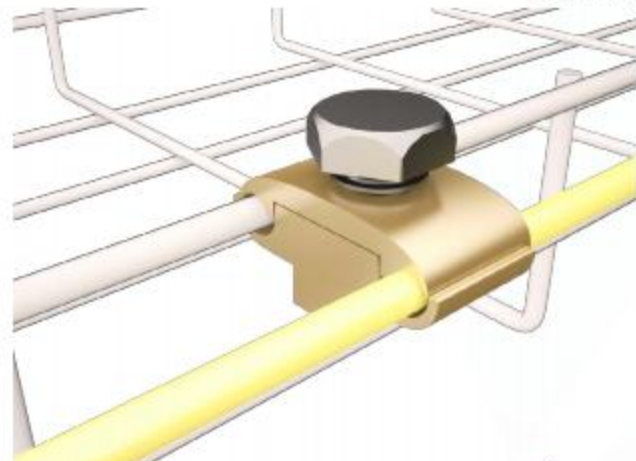
Model Number	Size (W) (mm)	Plate Thick. (T) (mm)	Weight kg/m	In pack, pc	Order Code (PG)	Order Code (HDG)	Order Code (SS)
CG	80x170	2	0,15	10	1814 00 000 20 1	1814 00 000 20 2	1814 00 000 20 4

Accessories

Aksesuarlar

Grounding Clamp - TPP

Topraklama Elemanı - TPP



SEP 140 15

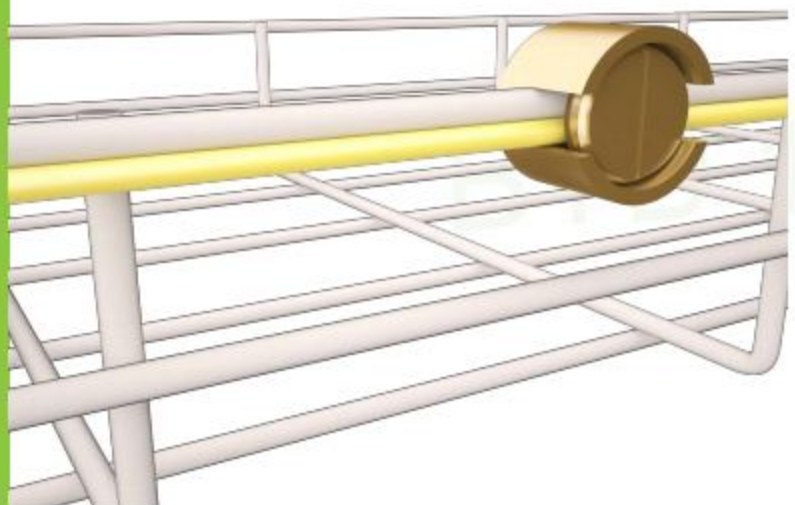
Model Number	A (d1 / d2) (mm)	Material Type	Weight kg/pack	In pack, pc	Order Code (PG)
TPP	16 x 16	Brass	1,6	50	1892 00 000 00 0

Accessories

Aksesuarlar

Grounding Clamp - TPC

Topraklama Elemanı - TPC



40

Model Number	Size (W) (mm)	Material Type	Weight kg/pack	In pack, pc	Order Code (PG)
TPC	M6 / 4-8	Brass	1,5	50	1891 00 000 00 0

Earthing strap grounding - TPS

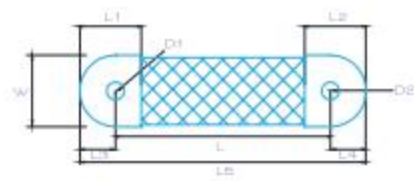
Accessories

Aksesuarlar



KT 430

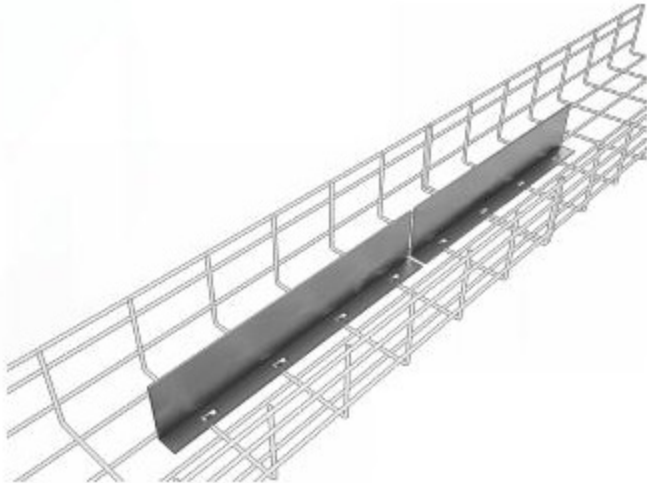
Model Number	Size w / L (mm)	d1 / d2 (mm)	Weight kg/pack	In pack, pc	Order Code (PG)
TPS	12x82	6,5	0,8	100	1893 00 000 00 0





Model Number	Size (W) (mm)	Plate Thick. (T) (mm)	Weight kg/m	In pack, pc	Order Code (PG)	Order Code (HDG)	Order Code (SS)
TKK 05	50	1,00	0,707	6	3800 15 050 10 1	3800 15 050 10 2	3800 15 050 10 4
TKK 10	100	1,00	1,099	6	3800 15 100 10 1	3800 15 100 10 2	3800 15 100 10 4
TKK 15	150	1,00	1,492	6	3800 15 150 10 1	3800 15 150 10 2	3800 15 150 10 4
TKK 20	200	1,00	1,884	6	3800 15 200 10 1	3800 15 200 10 2	3800 15 200 10 4
TKK 25	250	1,00	2,277	6	3800 15 250 10 1	3800 15 250 10 2	3800 15 250 10 4
TKK 30	300	1,50	4,004	6	3800 15 300 15 1	3800 15 300 15 2	3800 15 300 15 4
TKK 40	400	1,50	5,181	6	3800 15 400 15 1	3800 15 400 15 2	3800 15 400 15 4
TKK 50	500	1,50	6,359	6	3800 15 500 15 1	3800 15 500 15 2	3800 15 500 15 4
TKK 60	600	1,50	7,536	6	3800 15 600 15 1	3800 15 600 15 2	3800 15 600 15 4

Barrier Strip



Model Number	Size (W) (mm)	Plate Thick. (T) (mm)	Weight kg/m	In pack, pc	Order Code (PG)	Order Code (HDG)	Order Code (SS)
BS 25	25	1,00	0,432	6	1800 15 025 10 1	1800 15 025 10 2	1800 15 025 10 4
BS 50	50	1,00	0,628	6	1800 15 050 10 1	1800 15 050 10 2	1800 15 050 10 4
BS 75	75	1,00	0,824	6	1800 15 075 10 1	1800 15 075 10 2	1800 15 075 10 4
BS 100	100	1,00	1,021	6	1800 15 100 10 1	1800 15 100 10 2	1800 15 100 10 4