

Plastic Cable Glands

Polyamid Kablo Rakoru - Кабельный зажим из полиамида



TECHNICAL PROPERTIES	
Material	Polyamide PA6 V2
Connection Thread	Metric (EN 60423)
Connection Thread	PG (DIN 40430)
IP rating	IP68 5 bar
Temperature Resistance	-30 C/ +80 C +150 C (short term)
Properties	
Anti-vibration protection	
UV resistance	
Halogen Free	
Easy to assemble	

GENEL ÖZELLİKLER	
Hammadesi	Polyamid PA6
Sürekli Isıya direnci	-30 C/ +80 C
Koruma Sınıfı	IP68 5 bar
Renk : RAL 7001 (Gri), RAL 7035 (Açık Gri), RAL 9005 (Siyah)	

Metal Cable Glands

Pirinç Kablo Rakoru - Кабельный зажим латунный



TECHNICAL PROPERTIES	
Material	Brass with nickel plated
Connection Thread	Metric (EN 60423)
Connection Thread	PG (DIN 40430)
IP rating	IP68 5 bar
Temperature Resistance	-40 C/ +100 C +150 C (short term)
Properties	
Easy to assemble	
Long Thread Versions	
Halogen Free	

GENEL ÖZELLİKLER	
Hammadesi	Pirinç, nikel kaplı
Sürekli Isıya direnci	-40 C/ +100 C
Koruma Sınıfı	IP68 5 bar

Thread	H, mm	Thread Length D, mm	AA, mm	in box quantities pc	Suitable Cable size, B, mm		ORDER CODE SİPARİŞ KODU		
					min.	max.	Grey	Light Grey	Black
PG7	24	8	13	400	3,0	6,5	ORG 01	ORL 01	ORB 01
PG9	28	8	16	300	4,0	8,0	ORG 02	ORL 02	ORB 02
PG11	29	8	19	200	5,0	10,0	ORG 03	ORL 03	ORB 03
PG13,5	29	9	21	150	6,0	12,0	ORG 04	ORL 04	ORB 04
PG16	33	9	23	125	10,0	14,0	ORG 05	ORL 05	ORB 05
PG21	38	11	29	75	13,0	18,0	ORG 06	ORL 06	ORB 06
PG29	41	11	37,5	30	18,0	25,0	ORG 07	ORL 07	ORB 07
PG36	51	13	47,5	20	22,0	32,0	ORG 08	ORL 08	ORB 08
PG42	53	13	54,5	15	30,0	38,0	ORG 09	ORL 09	ORB 09
PG48	55	14	60	8	34,0	44,0	ORG 10	ORL 10	ORB 10

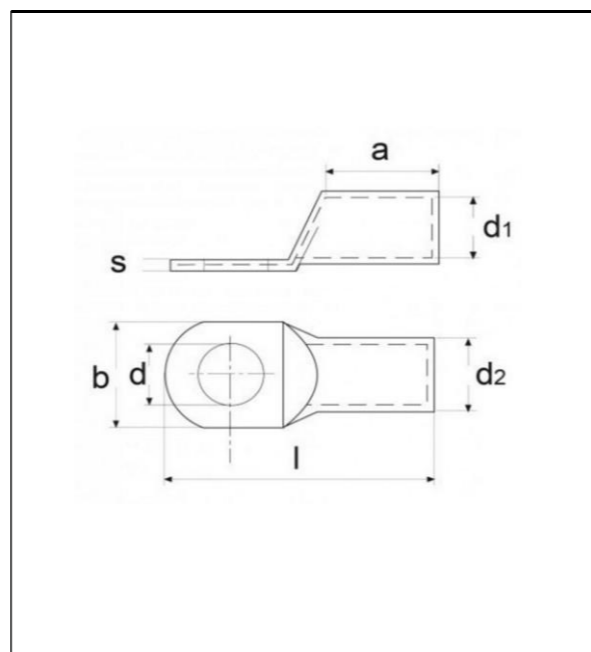
metric											
M	X	1.5	H, mm	Thread Length D, mm	AA, mm	in box quantities pc	min.	max.	OMRG	OMRL	OMRB
M 12 X 1.5	24	8	12,5	400	3,0	6,5	3,0	6,5	OMRG 01	OMRL 01	OMRB 01
M 16 X 1.5	28	8	16,5	300	4,0	8,0	4,0	8,0	OMRG 02	OMRL 02	OMRB 02
M 16 X 1.5	29	10	16,5	200	5,0	10,0	5,0	10,0	OMRG 03	OMRL 03	OMRB 03
M 20 X 1.5	29	10	20,5	150	6,0	12,0	6,0	12,0	OMRG 04	OMRL 04	OMRB 04
M 20 X 1.5	33	10	20,5	125	10,0	14,0	10,0	14,0	OMRG 05	OMRL 05	OMRB 05
M 25 X 1.5	38	10	25,5	75	13,0	18,0	13,0	18,0	OMRG 06	OMRL 06	OMRB 06
M 32 X 1.5	41	10	32,5	30	18,0	25,0	18,0	25,0	OMRG 07	OMRL 07	OMRB 07
M 40 X 1.5	51	10	40,5	20	22,0	32,0	22,0	32,0	OMRG 08	OMRL 08	OMRB 08
M 50 X 1.5	53	18	50,5	15	30,0	38,0	30,0	38,0	OMRG 09	OMRL 09	OMRB 09
M 63 X 1.5	55	18	63,5	8	34,0	44,0	34,0	44,0	OMRG 10	OMRL 10	OMRB 10

Thread	H, mm	Thread Length D, mm	AA, mm	in box quantities pc	Suitable Cable size, B, mm		Order Code Sip. Kodu
					min.	max.	
PG7	22	6	13	100	3,0	6,5	OPBG 01
PG9	23	6	16	50	4,0	8,0	OPBG 02
PG11	24,5	6	19	50	5,0	10,0	OPBG 03
PG13,5	26,5	6,5	21	50	6,0	12,0	OPBG 04
PG16	28	6,5	23	50	10,0	14,0	OPBG 05
PG21	31,5	7	29	25	13,0	18,0	OPBG 06
PG29	38	8	37,5	20	18,0	25,0	OPBG 07
PG36	43	10	47,5	10	22,0	32,0	OPBG 08
PG42	47	12	54,5	5	30,0	38,0	OPBG 09
PG48	48	14	60	5	34,0	44,0	OPBG 10

metric									
M	X	1.5	H, mm	Thread Length D, mm	AA, mm	in box quantities pc	min.	max.	OMBG
M 12 X 1.5	22	6	12,5	100	3,0	6,5	3,0	6,5	OMBG 01
M 16 X 1.5	23	7	16,5	50	4,0	8,0	4,0	8,0	OMBG 02
M 20 X 1.5	26,5	8	20,5	50	6,0	12,0	6,0	12,0	OMBG 03
M 25 X 1.5	28	8	25,5	25	10,0	14,0	10,0	14,0	OMBG 04
M 25 X 1.5	28	8	25,5	25	13,0	18,0	13,0	18,0	OMBG 04/06
M 32 X 1.5	31,5	9	32,5	20	13,0	18,0	13,0	18,0	OMBG 05
M 40 X 1.5	38	9	40,5	10	18,0	25,0	18,0	25,0	OMBG 06
M 50 X 1.5	43	9	50,5	5	22,0	32,0	22,0	32,0	OMBG 07
M 63 X 1.5	48	14	63,5	5	34,0	44,0	34,0	44,0	OMBG 08
M 63 X 1.5	48	15	63,5	5	44,0	55,0	44,0	55,0	OMBG 17
M 72 X 1.5		20	72,5	5	45,0	55,0	45,0	55,0	OMBG 17s
M 75 X 1.5		20	76	5	50,0	63,0	50,0	63,0	OMBG 18
M 80 X 1.5		20	80,5	5	50,0	63,0	50,0	63,0	OMBG 18-80
M 90 X 1.5		20	91	5	60,0	70,0	60,0	70,0	OMBG 19

Ekko Type SKP Compression Type Cable Lugs

Ekko Tip SKP Sıkmalı Kablo Pabuçları - Медные кабельные наконечники

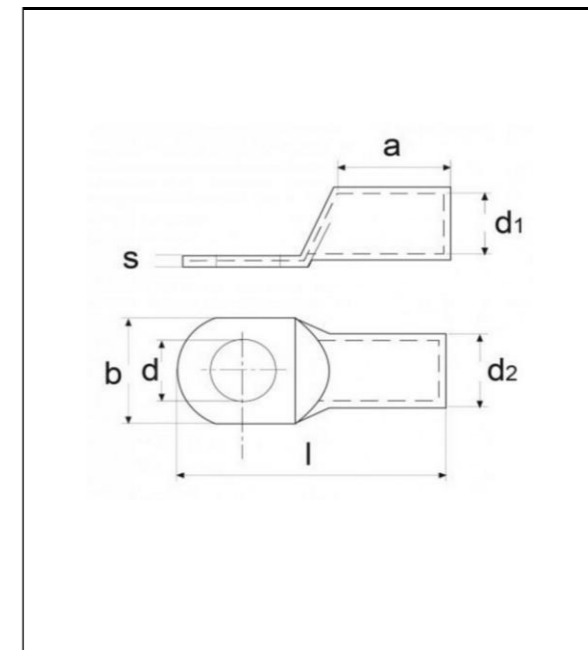


GENEL ÖZELLİKLER	
Hammadesi	EN 13600 standartlarında bakır
Yüzey	Kalay Kaplı
TECHNICAL PROPERTIES	
Material	EN 13600 standard copper
Surface	3 micron Tin Plated

Cross section	Bolt	DIMENSIONS, mm						in pack quantities	weight in pack	ORDER CODE SİPARİŞ KODU
		mm2	Ø	d	d1	d2	l			
10mm2	M5	5,3	4,5	6	27	9	8,6	800 pc	2,1 kg	E- 01005
16mm2	M6	6,4	5,5	7	30	11	10,5	500 pc	1,7 kg	E- 01606
25mm2	M8	8,3	7	9	38,5	12	13,0	300 pc	2,2 kg	E- 02508
35mm2	M8	8,3	8,5	10,5	43,5	14	15,5	200 pc	2,0 kg	E- 03508
50mm2	M10	10,3	10	12	51,5	17	17,9	150 pc	2,2 kg	E- 05010
70mm2	M10	10,3	11,5	14	55,5	18	20,7	100 pc	2,3 kg	E- 07010
95mm2	M10	10,3	13,5	16	58,5	21	23,5	80 pc	2,2 kg	E- 09510
120mm2	M12	12,8	15,5	18	71	25	26,7	50 pc	1,9 kg	E- 12012
150mm2	M12	12,8	16,5	20	76	26	29,2	30 pc	2,1 kg	E- 15012
185mm2	M16	16,5	18,5	22	82	29	32,3	30 pc	2,15 kg	E- 18516
240mm2	M16	16,5	21,5	25,5	91	33	37,6	25 pc	2,7 kg	E- 24016

Standard Type SKP Compression Type Cable Lugs

Ekko Tip SKP Sıkmalı Kablo Pabuçları - Медные кабельные наконечники

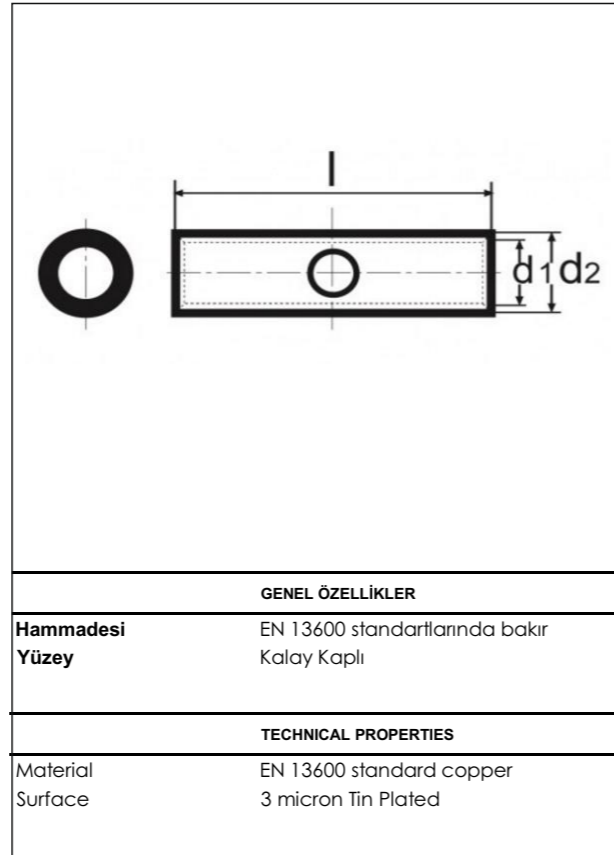


GENEL ÖZELLİKLER	
Hammadesi	EN 13600 standartlarında bakır
Yüzey	Kalay Kaplı
TECHNICAL PROPERTIES	
Material	EN 13600 standard copper
Surface	3 micron Tin Plated

Cross section	Bolt	DIMENSIONS, mm						in pack quantities	weight in pack	ORDER CODE SİPARİŞ KODU
		mm2	Ø	d	d1	d2	l			
10mm2	M5	5,5	4,7	6,6	27,5	10	10,3	800 pc	2,8 kg	ST- 01005
16mm2	M6	6,5	5,6	7,8	29,5	12	11,2	500 pc	2,7 kg	ST- 01606
25mm2	M8	8,5	7,1	9,5	39	16	13,7	300 pc	2,75 kg	ST- 02508
35mm2	M8	8,5	8,2	10,8	44	19	15,3	200 pc	2,8 kg	ST- 03508
	M10	10,5	8,2	10,8	48	19	15,7	200 pc	2,8 kg	ST- 03510
50mm2	M10	10,5	10,1	13	51,5	21	18,9	150 pc	3,3 kg	ST- 05010
70mm2	M10	10,5	11,5	14,7	54,6	23	21,1	100 pc	3,0 kg	ST- 07010
95mm2	M10	10,5	13,5	16,7	58,8	26	24,7	80 pc	3,0 kg	ST- 09510
	M12	13	13,5	16,7	58,8	26	24,7	80 pc	2,9 kg	ST- 09512
120mm2	M12	13	15,6	19	69	29	27,7	50 pc	2,6 kg	ST- 12012
150mm2	M12	13	16,5	21	76,5	30	30,4	30 pc	2,5 kg	ST- 15012
185mm2	M16	17	18,4	23	82,5	33	34,2	30 pc	2,9 kg	ST- 18516
240mm2	M16	17	21	26	89	38	38,7	25 pc	3,6 kg	ST- 24016
300mm2	M16	17	23,4	28,6	95	41	42,6	20 pc	3,2 kg	ST- 30016
400mm2	M20	21	26,8	32,8	108,2	48	48,3	12 pc	3,4 kg	ST- 40020
500mm2	M20	21	29,8	38,4	115,5	48	54,9	8 pc	3,4 kg	ST- 50020
600mm2	M20	21	34,5	44	133,1	61	63,0	6 pc	4,2 kg	ST- 60020

Standard Type Butt - Connectors

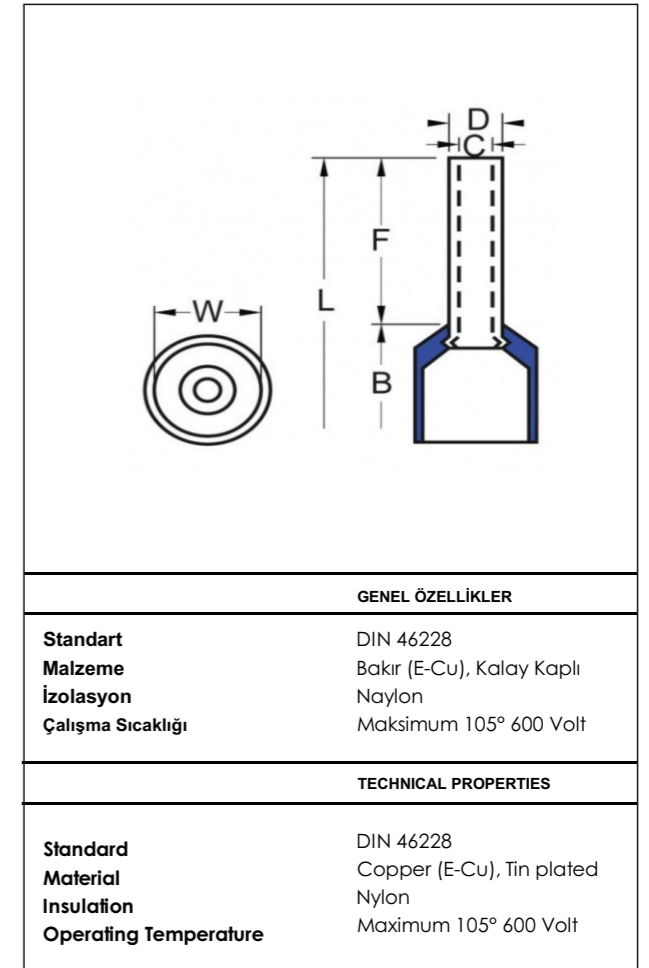
Standart Tip Ek Mufları - Гильзы кабельные медные луженые



Cross section mm ²	DIMENSIONS, mm			in pack quantities pc	weight in pack kg	ORDER CODE SIPARIŞ KODU
	d1	d2	l			
6mm ²	3,8	5,5	30	800 pc	2,3 kg	ST EM06
10mm ²	4,7	6,6	29	600 pc	2,5 kg	ST EM10
16mm ²	5,6	7,8	32	400 pc	2,5 kg	ST EM16
25mm ²	7,1	9,5	40,5	250 pc	2,8 kg	ST EM25
35mm ²	8,2	10,8	45,5	150 pc	2,3 kg	ST EM35
50mm ²	10,1	13	53,5	90 pc	2,3 kg	ST EM50
70mm ²	11,5	14,7	57,5	65 pc	2,2 kg	ST EM70
95mm ²	13,5	16,7	61,5	50 pc	2,1 kg	ST EM95
120mm ²	15,6	19	74	40 pc	2,4 kg	ST EM120
150mm ²	16,5	21	79	25 pc	2,3 kg	ST EM150
185mm ²	18,4	23	85	22 pc	2,5 kg	ST EM185
240mm ²	21	26	94	18 pc	2,9 kg	ST EM240

Ekko Series Cord-end Terminals French Color Norm

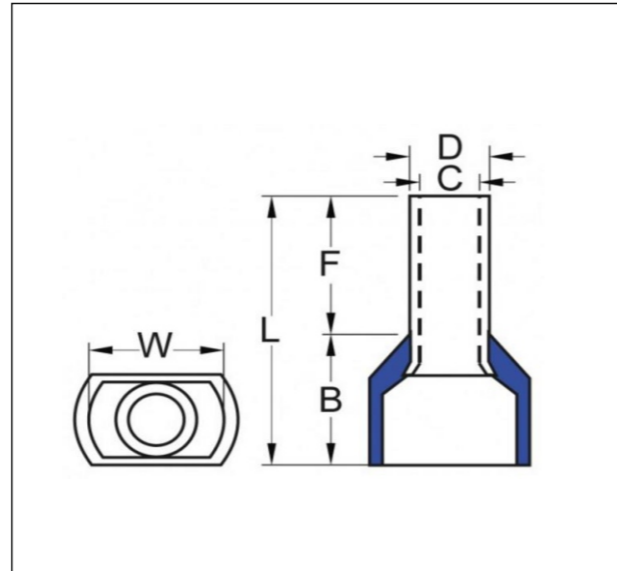
Ekko Serisi İzoleleli Kablo Yüksükleri Fransız Renk Normu - Наконечник штыревой втулочный изолированный



Cross section mm ²	Color	DIMENSIONS, mm						in pack quantities pc	weight in pack kg	ORDER CODE SIPARIŞ KODU
		F	L	W	D	C				
0,50mm ²	White	8	14	2,6	1,3	1,0	500 pc	0,064 kg	UY-3005E	
0,75mm ²	Blue	8	14	2,8	1,5	1,2	500 pc	0,072 kg	UY-3007E	
1mm ²	Red	8	14	3	1,7	1,4	500 pc	0,075 kg	UY-3010E	
1,5mm ²	Black	8	14	3,5	2,0	1,7	500 pc	0,108 kg	UY-3015E	
2,5mm ²	Grey	8	15	4,2	2,5	2,2	500 pc	0,133 kg	UY-3025E	
4mm ²	Orange	10	17	4,8	3,2	2,8	250 pc	0,119 kg	UY-3040E	
6mm ²	Green	12	20	6,3	3,9	3,5	250 pc	0,177 kg	UY-3060E	
10mm ²	Brown	12	22	7,6	4,9	4,5	100 pc	0,109 kg	UY-3100E	
16mm ²	Ivory	12	24	8,8	6,2	5,8	100 pc	0,138 kg	UY-3160E	
25mm ²	Black	16	28	11	7,7	7,3	50 pc	0,125 kg	UY-3250E	
35mm ²	Red	16	30	12,7	8,7	8,3	50 pc	0,141 kg	UY-3350E	
50mm ²	Blue	20	36	15	10,9	10,3	50 pc	0,168 kg	UY-3500E	
70mm ²	Yellow	20	37	16	14,3	13,5	50 pc	0,270 kg	UY-3700E	

Ekko Series Insulated Twin Cord End Terminals

Ekko Serisi İzoleli Çift Girişli Kablo Yüksükleri - Наконечник штыревой втулочный изолированный

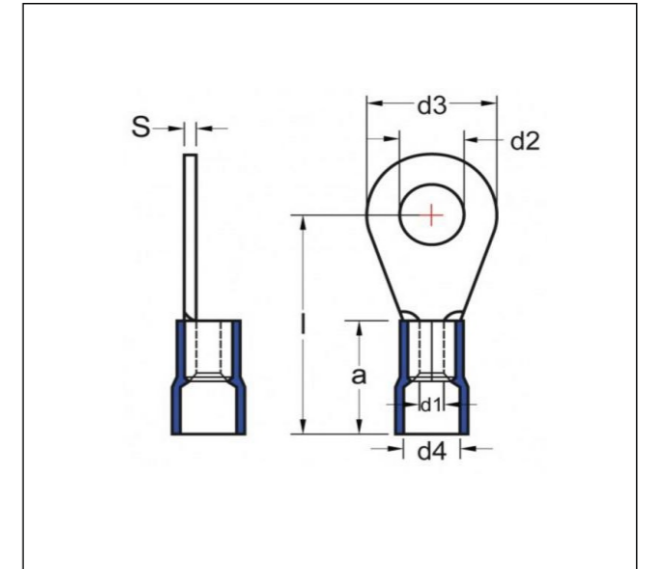


GENEL ÖZELLİKLER	
Standart	DIN 46228
Malzeme	Bakır (E-Cu), Kalay Kaplı
İzolasyon	Naylon
Çalışma Sıcaklığı	Maksimum 105° 600 Volt
TECHNICAL PROPERTIES	
Standard	DIN 46228
Material	Copper (E-Cu), Tin plated
Insulation	Nylon
Operating Temperature	Maximum 105° 600 Volt

Cross section	Color	DIMENSIONS, mm						in pack quantities	weight in pack	ORDER CODE SİPARİŞ KODU
		F	L	W	D	C	pc			
2 x 0,50mm ²	White	8	14,5	5	1,8	1,5	500 pc	0,107 kg	UY-23005E	
2 x 0,75mm ²	Blue	8	14,7	5,5	2,1	1,8	500 pc	0,121 kg	UY-23007E	
2 x 1,00mm ²	Red	8	15,1	5,5	2,4	2,1	500 pc	0,137 kg	UY-23010E	
2 x 1,50mm ²	Black	8	15,5	6,4	2,6	2,3	500 pc	0,164 kg	UY-23015E	
2 x 2,50mm ²	Grey	10	18,5	8	3,3	2,9	250 pc	0,137 kg	UY-23025E	
2 x 4mm ²	Orange	12	23,1	8,8	4,2	3,8	100 pc	0,098 kg	UY-23040E	
2 x 6mm ²	Green	14	26,1	9,5	5,3	4,9	100 pc	0,149 kg	UY-23060E	
2 x 10mm ²	Brown	14	26,6	12,6	6,9	6,5	50 pc	0,108 kg	UY-23100E	
2 x 16mm ²	Beige	14	31,3	19	8,7	8,3	50 pc	0,056 kg	UY-23160E	

Ring Type Insulated Terminals (Nylon and Easy Entry)

Yuvarlak Tip İzoleli Kablo Uçları (Naylon & Kolay Girişli) - Изолированный кабельный сое

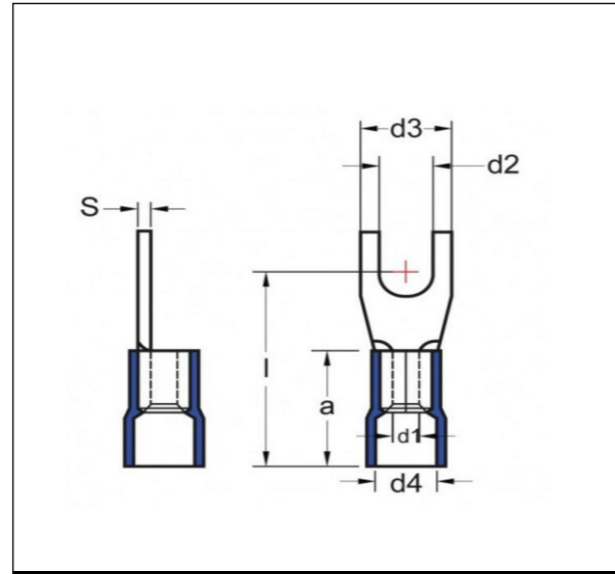


GENEL ÖZELLİKLER	
Standart	DIN 46237
Malzeme	Bakır (E-Cu), Kalay Kaplı
İzolasyon	Naylon
Çalışma Sıcaklığı	Maksimum 105° 600 Volt
TECHNICAL PROPERTIES	
Standard	DIN 46237
Material	Copper (E-Cu), Tin plated
Insulation	Nylon
Operating Temperature	Maximum 105° 600 Volt

Cross section	Bolt	Color	DIMENSIONS, mm					in pack quantities	weight in pack	ORDER CODE SİPARİŞ KODU
			d2	d3	l	d1	a			
0,50-1,50 mm ²	M3	Red	3,2	6	16	1,6	10,0	200 pc	0,182 kg	YK-301
	M4		4,3	8	17	1,6	10,0	200 pc	0,206 kg	YK-401
	M5		5,3	10	18	1,6	10,0	200 pc	0,238 kg	YK-501
	M6		6,5	10	18	1,6	10,0	200 pc	0,255 kg	YK-601
	M8		8,4	14	22	1,6	10,0	200 pc	0,324 kg	YK-801
1,50-2,50 mm ²	M3	Blue	3,2	6	16	2,3	10,0	200 pc	0,202 kg	YK-302
	M4		4,3	8	17	2,3	10,0	200 pc	0,224 kg	YK-402
	M5		5,3	10	18	2,3	10,0	200 pc	0,269 kg	YK-502
	M6		6,5	10	18	2,3	10,0	200 pc	0,297 kg	YK-602
	M8		8,4	14	22	2,3	10,0	200 pc	0,346 kg	YK-802
	M10		10,5	15	22	2,3	10,0	100 pc	0,253 kg	YK-1002
4,00-6,00 mm ²	M12	Yellow	13	18	25	2,3	10,0	100 pc	0,200 kg	YK-1202
	M4		4,3	8	21	3,6	13,0	100 pc	0,205 kg	YK-406
	M5		5,3	10	22	3,6	13,0	100 pc	0,223 kg	YK-506
	M6		6,5	11	22,5	3,6	13,0	100 pc	0,249 kg	YK-606
	M8		8,4	14	26	3,6	13,0	100 pc	0,290 kg	YK-806
	M10		10,5	18	28	3,6	13,0	100 pc	0,351 kg	YK-1006
M12	13	18	28	3,6	13,0	50 pc	0,172 kg	YK-1206		

Fork Type Insulated Cable Terminals (Nylon and Easy Entry)

Çatal Tip İzoleli Kablo Uçları (Naylon & Kolay Girişli) - Наконечник вилочный изолированный

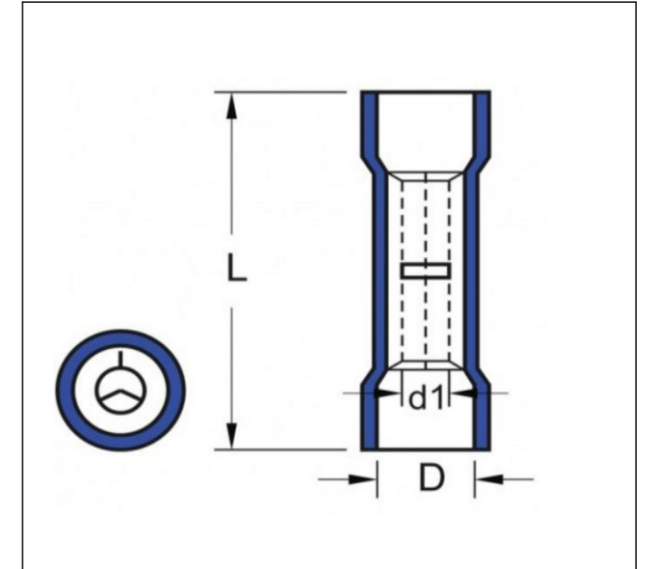


GENEL ÖZELLİKLER	
Standart	DIN 46237
Malzeme	Bakır (E-Cu), Kalay Kaplı
İzolasyon	Naylon
Çalışma Sıcaklığı	Maksimum 105° 600 Volt
TECHNICAL PROPERTIES	
Standard	DIN 46237
Material	Copper (E-Cu), Tin plated
Insulation	Nylon
Operating Temperature	Maximum 105° 600 Volt

Cross section mm ²	Bolt Ø	Color	DIMENSIONS, mm					in pack quantities pc	weight in pack kg	ORDER CODE SİPARİŞ KODU
			d2	d3	l	d1	a			
0,50-1,50 mm ²	M3	Red	3,2	6	16	1,6	10,0	200 pc	0,200 kg	CK-3001
	M4		4,3	6,8	17	1,6	10,0	200 pc	0,200 kg	CK-4001
	M5		5,3	10	18	1,6	10,0	200 pc	0,229 kg	CK-5001
	M6		6,5	11	20	1,6	10,0	200 pc	0,242 kg	CK-6001
1,50-2,50 mm ²	M3	Blue	3,2	5,5	16	2,3	10,0	200 pc	0,197 kg	CK-3002
	M4		4,3	6,8	17	2,3	10,0	200 pc	0,202 kg	CK-4002
	M5		5,3	10	19	2,3	10,0	200 pc	0,265 kg	CK-5002
	M6		6,5	11	21	2,3	10,0	200 pc	0,297 kg	CK-6002
4,00-6,00 mm ²	M4	Yellow	4,3	8	21	3,6	13,0	100 pc	0,200 kg	CK-4006
	M5		5,3	10	22	3,6	13,0	100 pc	0,226 kg	CK-5006
	M6		6,5	11	23	3,6	13,0	100 pc	0,235 kg	CK-6006
	M8		8,4	14	26	3,6	13,0	100 pc	0,284 kg	CK-8006
	M10		10,5	18	28	3,6	13,0	50 pc	0,197 kg	CK-10006

Butt-Splice Connectors Insulated Cable Terminals

Ek Mufları - İzoleli Kablo Uçları - Соединительные Втулки



GENEL ÖZELLİKLER	
Standart	DIN 46237
Malzeme	Bakır (E-Cu), Kalay Kaplı
İzolasyon	Vinyl
Çalışma Sıcaklığı	Maksimum 75° 600 Volt
TECHNICAL PROPERTIES	
Standard	DIN 46237
Material	Copper (E-Cu), Tin plated
Insulation	Vinyl
Operating Temperature	Maximum 75° 600 Volt

Cross section mm ²	Color	DIMENSIONS, mm			in pack quantities pc	weight in pack kg	ORDER CODE SİPARİŞ KODU
		L	D	d1			
0,50-1,50 mm ²	Red	24,6	4,0	1,7	200 pc	0,275 kg	BY-251
1,50-2,50 mm ²	Blue	24,6	4,5	2,3	200 pc	0,322 kg	BY-252
4,00-6,00 mm ²	Yellow	26,5	6,3	3,4	100 pc	0,285 kg	BY-256

Nylon 6.6 Cable Ties - Natural Color

Naylon 6.6 Kablo Bağları - Beyaz - Кабельные хомуты



Dimensions, mm		Color	Max. Bundle Diameter	Tensile Strength	in bag quantities	in carton quantities	weight carton	ORDER CODE SİPARİŞ KODU
Length	Width							
100	2,5	Natural	22	8 daN	100 pc	26,000 pc	0.00042	S-100-2C
150		Natural	35	8 daN	100 pc	20,000 pc	0.00075	S-150-2C
200		Natural	50	8 daN	100 pc	18,000 pc	0.00088	S-200-2C
100	3,5	Natural	22	18 daN	100 pc	12,000 pc	0.00078	S-100-3C
140		Natural	31	18 daN	100 pc	12,000 pc	0.00096	S-140-3C
200		Natural	50	18 daN	100 pc	10,000 pc	0.00133	S-200-3C
250		Natural	65	18 daN	100 pc	8,000 pc	0.00171	S-250-3C
280		Natural	74	18 daN	100 pc	8,000 pc	0.00192	S-280-3C
360		Natural	98	18 daN	100 pc	6,000 pc	0.00254	S-360-3C
200	4,5	Natural	50	22 daN	100 pc	7,000 pc	0.00175	S-200-4C
250		Natural	65	22 daN	100 pc	6,000 pc	0.00233	S-250-4C
300		Natural	80	22 daN	100 pc	5,000 pc	0.00275	S-300-4C
370		Natural	102	22 daN	100 pc	4,000 pc	0.00338	S-370-4C
430		Natural	120	22 daN	100 pc	3,000 pc	0.00442	S-430-4C
300	7,5	Natural	75	55 daN	100 pc	3,000 pc	0.00517	S-300-7C
370		Natural	98	55 daN	100 pc	2,500 pc	0.00750	S-350-7C
450		Natural	120	55 daN	100 pc	2,000 pc	0.00783	S-450-7C
550		Natural	155	55 daN	100 pc	1,500 pc	0.01071	S-550-7C
750		Natural	220	55 daN	100 pc	1,200 pc	0.01492	S-750-7C
600	9	Natural	165	80 daN	100 pc	1,200 pc	0.01867	S-600-9C
760		Natural	220	80 daN	100 pc	1,200 pc	0.02500	S-760-9C
900		Natural	260	80 daN	100 pc	1,200 pc	0.02800	S-900-9C

Nylon Square Base Cable Tip Accessories

Yarışkanlı Kroşeler Kablo Bağları Aksesuarları - Основание для хомуты



Dimensions, mm		Cable Tie Entry	Color	Tensile Strength	in bag quantities	in carton quantities	weight carton	ORDER CODE SİPARİŞ KODU
Length	Width							
19	19	4	White	10 daN	100 pc	5.000 pc		S-1919
19	19	4	Black	10 daN	100 pc	5.000 pc		S-1919B
27	27	4,5	White	16 daN	100 pc	5.000 pc		S-2727
27	27	4,5	Black	16 daN	100 pc	5.000 pc		S-2727B

04 Stainless Steel Cable Tie

304 Kalite Paslanmaz Çelik Kablo Bağ



Dimensions, mm		Material	Max. Bundle Diameter	Tensile Strength	in bag quantities	in carton quantities	ORDER CODE SİPARİŞ KODU	
Length	Width							
150	4.6	SS 304	33	55 daN	100 pc	8,000 pc	P-150-46-W4	
200		SS 304	50	55 daN	100 pc	6,000 pc	P-200-46-W4	
250		SS 304	67	55 daN	100 pc	5,000 pc	P-250-46-W4	
300		SS 304	75	55 daN	100 pc	5,000 pc	P-300-46-W4	
370		SS 304	102	55 daN	100 pc	4,000 pc	P-370-46-W4	
450		SS 304	130	55 daN	100 pc	3,000 pc	P-450-46-W4	
520		SS 304	152	55 daN	100 pc	3,000 pc	P-520-46-W4	
680		SS 304	203	55 daN	100 pc	2,000 pc	P-680-46-W4	
840		SS 304	250	55 daN	100 pc	1,000 pc	P-840-46-W4	
200		7.9	SS 304	50	120 daN	100 pc	5,000 pc	P-200-79-W4
300			SS 304	75	120 daN	100 pc	4,000 pc	P-300-79-W4
370			SS 304	102	120 daN	100 pc	3,000 pc	P-370-79-W4
450			SS 304	130	120 daN	100 pc	2,000 pc	P-450-79-W4
520	SS 304		152	120 daN	100 pc	2,000 pc	P-520-79-W4	
680	SS 304		203	120 daN	100 pc	2,000 pc	P-680-79-W4	
840	SS 304		250	120 daN	100 pc	1,500 pc	P-840-79-W4	
1000	SS 304		300	120 daN	100 pc	1,000 pc	P-1000-79-W4	