

「IP68」



Thermoplastic Boxes
Termoplastik Kutular



Aluminium Boxes
Alüminyum Kutular



Galvanised Boxes
Galvaniz Kutular



Thermoplastic Enclosures

Termoplastik Buat - Распределительные коробки



CODE	Size		Cover	Protection	KG 1 pc	pcs
	mm	mm				
TPB Ø8045PL IP44	Ø 80	45	round_press lid	IP44	0,10	168
TPB Ø8045SL IP67	Ø 80	45	round_screw lid	IP67	0,10	120
TPB 909045PL IP44	90	45	press lid	IP44	0,12	120
TPB 909050PL IP44	90	50	press lid	IP44	0,12	120
TPB 10010050PL IP44	100	50	press lid	IP44	0,10	85

Thermoplastic Enclosures

Termoplastik Buat - Распределительные коробки



CODE	Size		Cover	Protection	KG 1 pc	pcs
	mm	mm				
TPB 11011065 IP67	110	65	Screw Lid	IP67	0,17	60
TPB 11015070 IP67	110	70	Screw Lid	IP67	0,20	40
TPB 11021070 IP67	110	70	Screw Lid	IP67	0,23	28
TPB 14021090 IP67	140	90	Screw Lid	IP67	0,36	18
TPB 21021090 IP67	210	90	Screw Lid	IP67	0,46	9
TPB 19024090 IP67	190	90	Screw Lid	IP67	0,49	12
TPB 21029090 IP67	210	90	Screw Lid	IP67	0,57	8
TPB 29029090 IP67	290	90	Screw Lid	IP67	0,71	8
TPB 21044090 IP67	210	90	Screw Lid	IP67	1,11	8

Thermoplastic Enclosures

Termoplastik Buat - Распределительные коробки



CODE	Size		Cover	Protection	KG 1 pc	pcs
	mm	mm				
TPB 11011000DC IP67	110	100	Deep Cover	IP67	0,20	30
TPB 110150120DC IP67	110	120	Deep Cover	IP67	0,23	26
TPB 110210120DC IP67	110	120	Deep Cover	IP67	0,29	15
TPB 140210140DC IP67	140	140	Deep Cover	IP67	0,43	12
TPB 210210140DC IP67	210	140	Deep Cover	IP67	0,55	7
TPB 190240160DC IP67	190	160	Deep Cover	IP67	0,63	6
TPB 210290140DC IP67	210	140	Deep Cover	IP67	0,69	6
TPB 290290140DC IP67	290	140	Deep Cover	IP67	0,92	4
TPB 210440140DC IP67	210	140	Deep Cover	IP67	1,32	5

Thermoplastic Enclosures

Termoplastik Buat - Распределительные коробки



CODE	Size		Cover	Protection	KG 1 pc	pcs
	mm	mm				
TPB 110110100TDC IP67	110	100	Transparent - Deep Cover	IP67	0,24	30
TPB 110150120TDC IP67	110	120	Transparent - Deep Cover	IP67	0,28	26
TPB 110210120TDC IP67	110	120	Transparent - Deep Cover	IP67	0,36	15
TPB 140210140TDC IP67	140	140	Transparent - Deep Cover	IP67	0,49	12
TPB 210210140TDC IP67	210	140	Transparent - Deep Cover	IP67	0,61	7
TPB 190240160TDC IP67	190	160	Transparent - Deep Cover	IP67	0,83	6
TPB 210290140TDC IP67	210	140	Transparent - Deep Cover	IP67	0,84	6
TPB 290290140TDC IP67	290	140	Transparent - Deep Cover	IP67	1,08	4

Thermoplastic Enclosures

Termoplastik Buat - Распределительные коробки



CODE	Size		Cover	Protection	KG 1 pc	pcs
	mm	mm				
TPB 11015070TC IP67	110	70	Transparent Cover	IP67	0,25	40
TPB 11021070TC IP67	110	70	Transparent Cover	IP67	0,31	28
TPB 14021090TC IP67	140	90	Transparent Cover	IP67	0,40	18
TPB 21021090TC IP67	210	90	Transparent Cover	IP67	0,54	9
TPB 19024090TC IP67	190	90	Transparent Cover	IP67	0,55	12
TPB 21029090TC IP67	210	90	Transparent Cover	IP67	0,66	9
TPB 29029090TC IP67	290	90	Transparent Cover	IP67	0,81	8

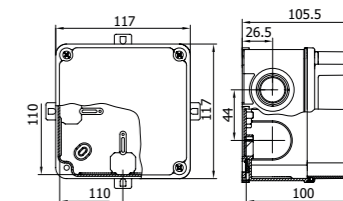
Thermoplastic Enclosures For Terminal

Yatay Klemens Kutusu - Распределительные коробки

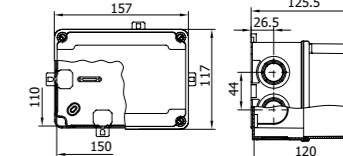


CODE	Size		Cover	Protection	KG 1 pc	pcs
	mm	mm				
TPBT 110210120DC IP67	110	120	Deep Cover	IP67	0,31	15
TPBT 210290140DC IP67	210	140	Deep Cover	IP67	0,66	6
TPBT 110210120TDC IP67	110	120	Transparent Deep Cover	IP67	0,38	15
TPBT 210290140TDC IP67	210	140	Transparent Deep Cover	IP67	0,80	6

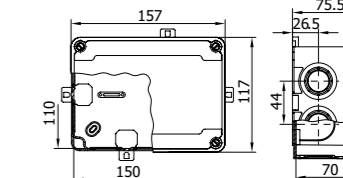
TPB 110110100TDC



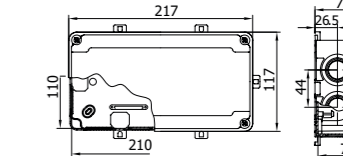
TPB 110150120TDC



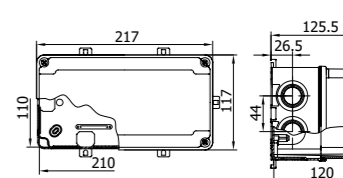
TPB 11015070TC IP67



TPB 11021070TC IP67



TPBT 110210120 DC - TPBT 110210120 TDC



MATERIAL
ABS HF 650°C

Electrical Junction Boxes



Aluminium Enclosures

Alüminyum Buatlar - Распределительные алюминиевые коробки



ALB	CODE	Size		Height	Cover	Protection Degree	Weight	Packaging
		mm	mm					
ALB 656540 IP67		65	65	40	Grey RAL 7040	IP67	0,13	25
ALB 6510040 IP67		65	100	40	Grey RAL 7040	IP67	0,17	20
ALB 808060 IP67		80	80	60	Grey RAL 7040	IP67	0,19	44
ALB 808073DC IP67		80	80	73	Deep Cover, Grey RAL 7040	IP67	0,21	36
ALB 8013060 IP67		80	130	60	Grey RAL 7040	IP67	0,26	28
ALB 8013073DC IP67		80	130	73	Deep Cover, Grey RAL 7040	IP67	0,29	20
ALB 8017060 IP67		80	170	60	Grey RAL 7040	IP67	0,32	18
ALB 8017073 IP67		80	170	73	Grey RAL 7040	IP67	0,35	18
ALB 8023073 IP67		80	230	73	Grey RAL 7040	IP67	0,53	12
ALB 10010073 IP67		100	100	73	Grey RAL 7040	IP67	0,25	24
ALB 10010090 IP67		100	100	90	Grey RAL 7040	IP67	0,28	12
ALB 10013073 IP67		100	130	73	Grey RAL 7040	IP67	0,33	20
ALB 10016080 IP67		100	160	80	Grey RAL 7040	IP67	0,49	8
ALB 10020080 IP67		100	200	80	Grey RAL 7040	IP67	0,59	12
ALB 12022090 IP67		120	220	90	Grey RAL 7040	IP67	0,72	9
ALB 13013090 IP67		130	130	90	Grey RAL 7040	IP67	0,56	12
ALB 13019090 IP67		130	190	90	Grey RAL 7040	IP67	0,69	10
ALB 13023090 IP67		130	230	90	Grey RAL 7040	IP67	0,80	8
ALB 14020090 IP67		140	200	90	Grey RAL 7040	IP67	0,76	9
ALB 16016090 IP67		160	160	90	Grey RAL 7040	IP67	0,69	6
ALB 16026090 IP67		160	260	90	Grey RAL 7040	IP67	1,26	4
ALB 16026090H IP67		160	260	90	Hinged, Grey RAL 7040	IP67	1,42	4
ALB 17019090 IP67		170	190	90	Grey RAL 7040	IP67	0,98	6
ALB 180180100 IP67		180	180	100	Grey RAL 7040	IP67	1,02	5
ALB 180280100 IP67		180	280	100	Grey RAL 7040	IP67	1,55	4
ALB 19025090 IP67		190	250	90	Grey RAL 7040	IP67	1,51	3
ALB 19025090H IP67		190	250	90	Hinged, Grey RAL 7040	IP67	1,68	3
ALB 190250110 IP67		190	250	110	Grey RAL 7040	IP67	1,68	3
ALB 190250110H IP67		190	250	110	Hinged, Grey RAL 7040	IP67	1,86	3
ALB 19035090 IP67		190	350	90	Grey RAL 7040	IP67	2,05	3
ALB 19035090H IP67		190	350	90	Hinged, Grey RAL 7040	IP67	2,25	3
ALB 250250110 IP67		250	250	110	Grey RAL 7040	IP67	2,17	3
ALB 250250110H IP67		250	250	110	Hinged, Grey RAL 7040	IP67	2,37	3
ALB 310400140 IP67		310	400	140	Grey RAL 7040	IP67	4,39	2
ALB 310400140H IP67		310	400	140	Hinged, Grey RAL 7040	IP67	4,63	2

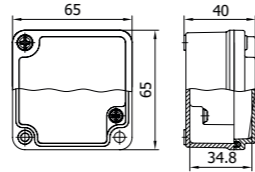
Galvanised Junction Boxes

Galvaniz Çekme Kutusu - Распределительные металлические коробки

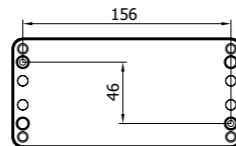
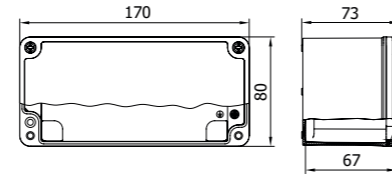


GCK	CODE	Size		Height	Knock-Outs	Protection Degree	Weight	Packaging
		mm	mm					
GCK 151510 PG		150	150	100	KO: 8 (3/4"- Ø 25 or 1"- Ø 35)	IP44	0,80	4
GCK 202010 PG		200	200	100	KO: 12 (3/4"- Ø 25 or 1"- Ø 35)	IP44	1,30	3
GCK 252515 PG		250	250	150	KO: 16 (3/4"- Ø 25 or 1"- Ø 35)	IP44	2,00	2
GCK 303015 PG		300	300	150	KO: 20 (3/4"- Ø 25 or 1"- Ø 35)	IP44	2,90	2

ALB 656540 IP67



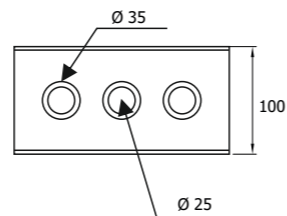
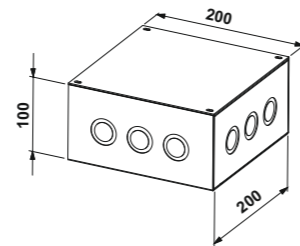
ALB 8017073 IP67



TECHNICAL PROPERTIES:

Impact Resistance: IK 09
 Operation Temperature: -40 °C / +80 °C
 Color: Grey RAL 7040
 Gasket: PU
 Screws: Stainless steel
 Earthing: Both on Cover & Base

GCK 202010 PG



MATERIAL
Galvanised Steel

Earthing Systems



ABS Enclosure Opaque w/Metal Plate

ABS Pano Opak Karakli - Metal Tabanlı - Распределительный шкаф из ABS-пластика



Thermoplastic

PNO	CODE	Size (axbxc) mm	Hinge Mentеше Qty - Adet	Lock Kilit Qty - Adet	Product Type Ürün Tipi	IN PACK QUANTITY	VOLUME OF PACK	WEIGHT OF PACK
						PAKET İÇİ	KOLI HACMI	KOLİ AĞIRLIĞI
						Quantity / Adet	m3	kg
PNO 182413		180x240x130	2	1	Opaque	1	0,005	1,00
PNO 203013		200x300x130	2	1	Opaque	1	0,008	1,25
PNO 253515		250x350x150	2	1	Opaque	1	0,014	1,78
PNO 304017		300x400x170	2	2	Opaque	1	0,020	2,45
PNO 304022		300x400x220	2	2	Opaque	1	0,027	2,8
PNO 355019		350x500x190	2	2	Opaque	1	0,034	3,4
PNO 405018		400x500x180	2	2	Opaque	1	0,036	3,75
PNO 405024		400x500x240	2	2	Opaque	1	0,048	4,35
PNO 406020		400x600x200	2	2	Opaque	1	0,048	4,75
PNO 506022		500x600x220	2	2	Opaque	1	0,066	6,75
PNO 507025		500x700x250	3	2	Opaque	1	0,088	7,7
PNO 608026		600x800x260	3	2	Opaque	1	0,125	12,5

Thermoplastic Enclosure (Transparent)

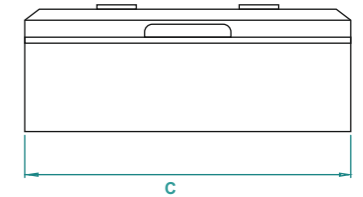
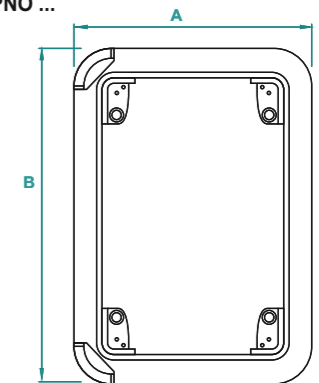
ABS Pano (Şeffaf) - (ABS) Шкаф из термопластика (Прозрачный)



Thermoplastic

PNT	CODE	Size (axbxc) mm	Hinge Mentеше Qty - Adet	Lock Kilit Qty - Adet	Product Type Ürün Tipi	IN PACK QUANTITY	VOLUME OF PACK	WEIGHT OF PACK
						PAKET İÇİ	KOLI HACMI	KOLİ AĞIRLIĞI
						Quantity / Adet	m3	kg
PNT 182413		180x240x130	2	1	Transparent	1	0,005	1,00
PNT 203013		200x300x130	2	1	Transparent	1	0,008	1,25
PNT 253515		250x350x150	2	1	Transparent	1	0,014	1,78
PNT 304017		300x400x170	2	2	Transparent	1	0,020	2,45
PNT 304022		300x400x220	2	2	Transparent	1	0,027	2,8
PNT 355019		350x500x190	2	2	Transparent	1	0,034	3,4
PNT 405018		400x500x180	2	2	Transparent	1	0,036	3,75
PNT 405024		400x500x240	2	2	Transparent	1	0,048	4,35
PNT 406020		400x600x200	2	2	Transparent	1	0,048	4,75
PNT 506022		500x600x220	2	2	Transparent	1	0,066	6,75
PNT 507025		500x700x250	3	2	Transparent	1	0,088	7,7
PNT 608026		600x800x260	3	2	Transparent	1	0,125	12,5

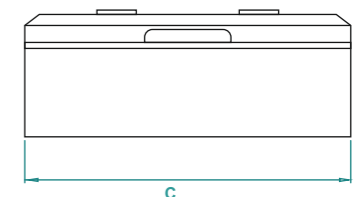
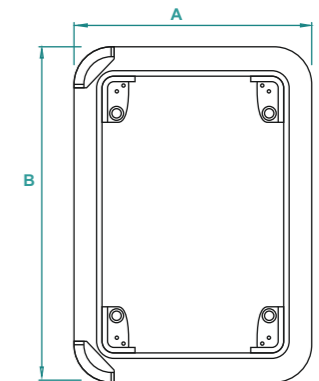
PNO ...



*Mounting plate: Galvanized Steel (1 mm)
 *Plastic Material: ABS Halogen Free
 *Protection degree: IP65
 *Ral code: RAL 7035 Gray

*Montaj Tabanı: Galvaniz Çeliği (1 mm)
 *Plastik Malzemesi (Türü): ABS / Halojensiz
 *Koruma Derecesi: IP65
 *Ral Kodu: RAL 7035 Gri

PNT ...



*Mounting plate: Galvanized Steel (1 mm)
 *Plastic Material: ABS Halogen Free
 *Protection degree: IP65
 *Ral code: RAL 7035 Gray

*Montaj Tabanı: Galvaniz Çeliği (1 mm)
 *Plastik Malzemesi (Türü): ABS / Halojensiz
 *Koruma Derecesi: IP65
 *Ral Kodu: RAL 7035 Gri

Polyester Enclosure

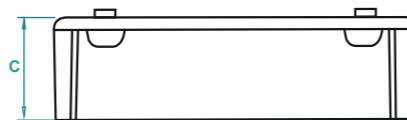
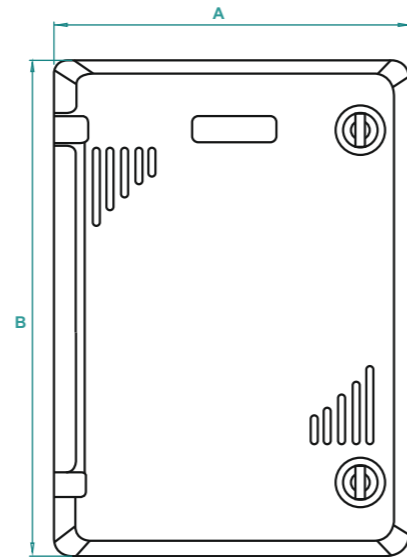
Polyester Panoy - GRP Korpusu iz poliestera



GENERAL SPECIFICATIONS

- ✓ Rustproof, unscratchable paint, no need painting & maintenance
- ✓ Dielectric
- ✓ Flameproof, self-extinguishing
- ✓ Non-affected by humidity
- ✓ Resistant to atmosphere conditions
- ✓ Your logo can be placed on

POL



POL

CODE	Size Ebat (axbxc) mm	Product Type Ürün Tipi	PROTECTION DEGREE Koruma Derecesi	Pcs		Volume Hacim m ³
				Weight	1 pc	
POL 192912	190 x 290 x 120	Opaque	IP65	8	1,52	0.0110
POL 203012	200 x 300 x 120	Opaque	IP65	8	2,60	0.0089
POL 213213	210 x 320 x 130	Opaque	IP65	8	2,03	0.0110
POL 253017	250 x 300 x 170	Opaque	IP65	6	2,30	0.0150
POL 223317	220 x 330 x 170	Opaque	IP65	6	3,30	0.0150
POL 304017	300 x 400 x 170	Opaque	IP65	4	4,60	0.0250
POL 355017	350 x 500 x 170	Opaque	IP65	2	5,75	0.0335
POL 406014	350 x 500 x 170	Opaque	IP65	1	5,50	0.0275
POL 406020	400 x 600 x 200	Opaque	IP65	1	8,10	0.0275
POL 326620	320 x 660 x 200	Opaque	IP65	2	7,73	0.0465
POL 507014	500 x 700 x 140	Opaque	IP65	1	11,35	0.820
POL 507020	500 x 700 x 200	Opaque	IP65	1	11,53	0.820
POL 608022	600 x 800 x 220	Opaque	IP65	1	16,64	0.1320

APPLICATION AREAS

- ✓ Transformer load boards
- ✓ Compensation boards
- ✓ Distribution boards
- ✓ Network generator
- ✓ Transfer application
- ✓ Automation panels
- ✓ Control panels
- ✓ Lighting panels
- ✓ OSOS panels
- ✓ Counter panels

Inner View



Back

