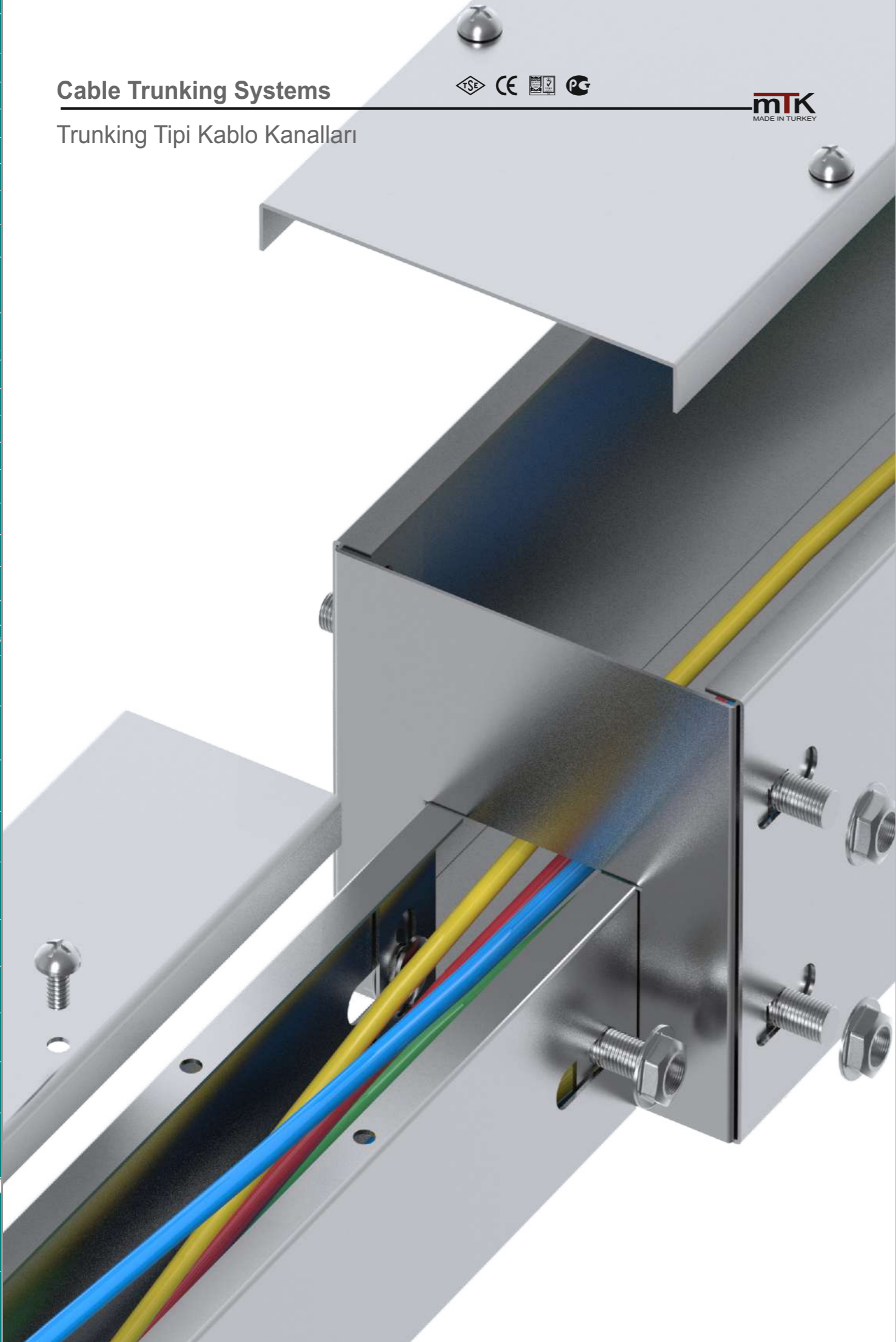


Cable Trunking Systems

Trunking Tipi Kablo Kanalları



Cable Trunking Systems



Steel Cable Trunkings

METAKSAN offers a comprehensive range of steel trunkings and accessories, in single and multi-compartment. Manufacturing standard: EN 50085-2-1:2006

Material Options:

- PG : Pregalvanised steel EN 10142
- HDG: Hot dip galvanised EN ISO 1461
- SS: Stainless steel AISI 304
- AL: Aluminum
- EP: Epoxy painted - RAL

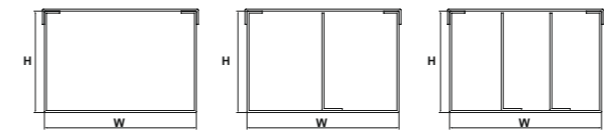
Aluminium and stainless steel trunking are available only in Screw fix type lids. Standard length 3 mt. Other lengths are also available.

Lid Options:

- TRU series : Turnbuckle fix type lids (Quickfix), using high tensile with aluminum castle bottoms at intervals not exceeding 1.5mts
- TRS series: Screw fix type lids with M5x8 self tapping screw.

Compartment Options

Bölüm Seçenekleri



- Available in 1 or 2 or 3 compartments
- Various multicompartment fittings are available on request
- Trunking and fittings are supplied with equal compartments as standard
- For unequal compartments, details must be supplied at time of order for this non-standard product
- Partitions are spot welded into position

Order Code Explanation

Sparış Kodu Oluşturma

Codes	Unit	W Width (mm)	H Height (mm)	T Thickness (mm)	F Finish
TRU	Trunking length, quick fix, one compartment	50	50	06 = 0,6	PG
TRU2C	Trunking length, quick fix, two compartments	75	75	07 = 0,7	
TRU3C	Trunking length, quick fix, three compartments	100	100	08 = 0,8	
TRS	Trunking length, screw fix, one compartment	150	150	09 = 0,9	HDG
TRS2C	Trunking length, screw fix, two compartments	200	200	10 = 1,0	
TRS3C	Trunking length, screw fix, three compartments	225	225	12 = 1,2	
TR90G	Top lid 90° bend - gusset, quick fix	250	250	15 = 1,5	EPOXY
TS90G	Top lid 90° bend - gusset, screw fix	300	300	20 = 2,0	
TR90	Top lid 90° bend - square, quick fix	400			
TS90	Top lid 90° bend - square, screw fix	450			SS304
TRIG	Inside lid 90° bend - gusset, quick fix	500			
TSIG	Inside lid 90° bend - gusset, screw fix	600			
TRI	Inside lid 90° bend - square, quick fix				AL
TSI	Inside lid 90° bend - square, screw fix				
TRDG	Outside lid 90° bend - gusset, quick fix				
TSDG	Outside lid 90° bend - gusset, screw fix				
TRD	Outside lid 90° bend - square, quick fix				
TSD	Outside lid 90° bend - square, screw fix				
TR45	Top lid 45° bend, quick fix				
TRI45	Inside lid 45° bend, quick fix				
TRD45	Outside lid 45° bend, quick fix				
TS45	Top lid 45° bend, screw fix				
TSI45	Inside lid 45° bend, screw fix				
TS45	Outside lid 45° bend, screw fix				

Cable Trunking Systems



Steel Cable Trunkings

Trunking Tipi Kablo Kanali - Металлические кабельные короба, замковый

Trunking

Fittings



Size mm	Straight Unit	Top Lid 90° Gusset	Top Lid 90° Square	Inside Lid 90° Gusset	Inside Lid 90° Square	Outside Lid 90° Gusset
50x50	TRU 5050 TF	TR90G 5050 TF	TR90 5050 TF	TRIG 5050 TF	TRI 5050 TF	TRDG 5050 TF
75x50	TRU 7550 TF	TR90G 7550 TF	TR90 7550 TF	TRIG 7550 TF	TRI 7550 TF	TRDG 7550 TF
75x75	TRU 7575 TF	TR90G 7575 TF	TR90 7575 TF	TRIG 7575 TF	TRI 7575 TF	TRDG 7575 TF
100x50	TRU 10050 TF	TR90G 10050 TF	TR90 10050 TF	TRIG 10050 TF	TRI 10050 TF	TRDG 10050 TF
100x75	TRU 10075 TF	TR90G 10075 TF	TR90 10075 TF	TRIG 10075 TF	TRI 10075 TF	TRDG 10075 TF
100x100	TRU 100100 TF	TR90G 100100 TF	TR90 100100 TF	TRIG 100100 TF	TRI 100100 TF	TRDG 100100 TF
150x50	TRU 15050 TF	TR90G 15050 TF	TR90 15050 TF	TRIG 15050 TF	TRI 15050 TF	TRDG 15050 TF
150x75	TRU 15075 TF	TR90G 15075 TF	TR90 15075 TF	TRIG 15075 TF	TRI 15075 TF	TRDG 15075 TF
150x100	TRU 150100 TF	TR90G 150100 TF	TR90 150100 TF	TRIG 150100 TF	TRI 150100 TF	TRDG 150100 TF
150x150	TRU 150150 TF	TR90G 150150 TF	TR90 150150 TF	TRIG 150150 TF	TRI 150150 TF	TRDG 150150 TF
200x50	TRU 20050 TF	TR90G 20050 TF	TR90 20050 TF	TRIG 20050 TF	TRI 20050 TF	TRDG 20050 TF
200x75	TRU 20075 TF	TR90G 20075 TF	TR90 20075 TF	TRIG 20075 TF	TRI 20075 TF	TRDG 20075 TF
200x100	TRU 200100 TF	TR90G 200100 TF	TR90 200100 TF	TRIG 200100 TF	TRI 200100 TF	TRDG 200100 TF
200x150	TRU 200150 TF	TR90G 200150 TF	TR90 200150 TF	TRIG 200150 TF	TRI 200150 TF	TRDG 200150 TF
200x200	TRU 200200 TF	TR90G 200200 TF	TR90 200200 TF	TRIG 200200 TF	TRI 200200 TF	TRDG 200200 TF
225x50	TRU 22550 TF	TR90G 22550 TF	TR90 22550 TF	TRIG 22550 TF	TRI 22550 TF	TRDG 22550 TF
225x75	TRU 22575 TF	TR90G 22575 TF	TR90 22575 TF	TRIG 22575 TF	TRI 22575 TF	TRDG 22575 TF
225x100	TRU 225100 TF	TR90G 225100 TF	TR90 225100 TF	TRIG 225100 TF	TRI 225100 TF	TRDG 225100 TF
225x150	TRU 225150 TF	TR90G 225150 TF	TR90 225150 TF	TRIG 225150 TF	TRI 225150 TF	TRDG 225150 TF
225x200	TRU 225200 TF	TR90G 225200 TF	TR90 225200 TF	TRIG 225200 TF	TRI 225200 TF	TRDG 225200 TF
225x225	TRU 225225 TF	TR90G 225225 TF	TR90 225225 TF	TRIG 225225 TF	TRI 225225 TF	TRDG 225225 TF
250x50	TRU 25050 TF	TR90G 25050 TF	TR90 25050 TF	TRIG 25050 TF	TRI 25050 TF	TRDG 25050 TF
250x75	TRU 25075 TF	TR90G 25075 TF	TR90 25075 TF	TRIG 25075 TF	TRI 25075 TF	TRDG 25075 TF
250x100	TRU 250100 TF	TR90G 250100 TF	TR90 250100 TF	TRIG 250100 TF	TRI 250100 TF	TRDG 250100 TF
250x150	TRU 250150 TF	TR90G 250150 TF	TR90 250150 TF	TRIG 250150 TF	TRI 250150 TF	TRDG 250150 TF
250x200	TRU 250200 TF	TR90G 250200 TF	TR90 250200 TF	TRIG 250200 TF	TRI 250200 TF	TRDG 250200 TF
250x250	TRU 250250 TF	TR90G 250250 TF	TR90 250250 TF	TRIG 250250 TF	TRI 250250 TF	TRDG 250250 TF
300x50	TRU 30050 TF	TR90G 30050 TF	TR90 30050 TF	TRIG 30050 TF	TRI 30050 TF	TRDG 30050 TF
300x75	TRU 30075 TF	TR90G 30075 TF	TR90 30075 TF	TRIG 30075 TF	TRI 30075 TF	TRDG 30075 TF
300x100	TRU 300100 TF	TR90G 300100 TF	TR90 300100 TF	TRIG 300100 TF	TRI 300100 TF	TRDG 300100 TF
300x150	TRU 300150 TF	TR90G 300150 TF	TR90 300150 TF	TRIG 300150 TF	TRI 300150 TF	TRDG 300150 TF
300x200	TRU 300200 TF	TR90G 300200 TF	TR90 300200 TF	TRIG 300200 TF	TRI 300200 TF	TRDG 300200 TF
300x300	TRU 300300 TF	TR90G 300300 TF	TR90 300300 TF	TRIG 300300 TF	TRI 300300 TF	TRDG 300300 TF
400x50	TRU 40050 TF	TR90G 40050 TF	TR90 40050 TF	TRIG 40050 TF	TRI 40050 TF	TRDG 40050 TF
400x75	TRU 40075 TF	TR90G 40075 TF	TR90 40075 TF	TRIG 40075 TF	TRI 40075 TF	TRDG 40075 TF
400x100	TRU 400100 TF	TR90G 400100 TF	TR90 400100 TF	TRIG 400100 TF	TRI 400100 TF	TRDG 400100 TF
400x150	TRU 400150 TF	TR90G 400150 TF	TR90 400150 TF	TRIG 400150 TF	TRI 400150 TF	TRDG 400150 TF
400x200	TRU 400200 TF	TR90G 400200 TF	TR90 400200 TF	TRIG 400200 TF	TRI 400200 TF	TRDG 400200 TF

<p>TRU - Steel Cable Trunkings - quick fix lid Металлические кабельные короба, болтовой</p>	<p>TR90G - Top lid 90° bend - quick fix lid Горизонтальный угол 90°, глухой</p>	<p>TR90 - Top lid 90° bend - quick fix lid Горизонтальный угол 90°, глухой</p>
<p>TRDG - Outside lid 90° bend - quick fix lid Угол вертикальный вниз 90°, глухой</p>	<p>TRIG - Inside lid 90° bend - quick fix lid Угол вертикальный вверх 90°, глухой</p>	<p>TRI Inside lid 90° bend - Welded Part Угол вертикальный вверх 90°, глухой</p>

T: thickness of steel, the available options
0,6mm - 0,8mm- 1,0mm - 1,2mm -1,5mm - 2,0mm

T	Thickness, mm
06	0,6
08	0,8
10	1,0
12	1,2
15	1,5
20	2,0

F: materials and finish options

F	Finish Type
PG	Pregalvanised steel
HDG	Hot dip galvanised after fabrication
AL	Aluminium
S4	stainless steel AISI 304
S6	stainless steel AISI 316
EP	epoxy powder paint (RAL code)

Cable Trunking Systems



Steel Cable Trunkings

Trunking Tipi Kablo Kanali - Металлические кабельные короба, замковый

Fittings



Size mm	Outside Lid 90° Square	Top Lid 45° Gusset	Inside Lid 45° Bend	Outside Lid 45° Bend	Top Lid tee - Gusset	Top Lid tee - Square
50x50	TRD 5050 TF	TR45 5050 TF	TRI45 5050 TF	TRD45 5050 TF	TRTG 5050 TF	TRT 5050 TF
75x50	TRD 7550 TF	TR45 7550 TF	TRI45 7550 TF	TRD45 7550 TF	TRTG 7550 TF	TRT 7550 TF
75x75	TRD 7575 TF	TR45 7575 TF	TRI45 7575 TF	TRD45 7575 TF	TRTG 7575 TF	TRT 7575 TF
100x50	TRD 10050 TF	TR45 10050 TF	TRI45 10050 TF	TRD45 10050 TF	TRTG 10050 TF	TRT 10050 TF
100x75	TRD 10075 TF	TR45 10075 TF	TRI45 10075 TF	TRD45 10075 TF	TRTG 10075 TF	TRT 10075 TF
100x100	TRD 100100 TF	TR45 100100 TF	TRI45 100100 TF	TRD45 100100 TF	TRTG 100100 TF	TRT 100100 TF
150x50	TRD 15050 TF	TR45 15050 TF	TRI45 15050 TF	TRD45 15050 TF	TRTG 15050 TF	TRT 15050 TF
150x75	TRD 15075 TF	TR45 15075 TF	TRI45 15075 TF	TRD45 15075 TF	TRTG 15075 TF	TRT 15075 TF
150x100	TRD 150100 TF	TR45 150100 TF	TRI45 150100 TF	TRD45 150100 TF	TRTG 150100 TF	TRT 150100 TF
150x150	TRD 150150 TF	TR45 150150 TF	TRI45 150150 TF	TRD45 150150 TF	TRTG 150150 TF	TRT 150150 TF
200x50	TRD 20050 TF	TR45 20050 TF	TRI45 20050 TF	TRD45 20050 TF	TRTG 20050 TF	TRT 20050 TF
200x75	TRD 20075 TF	TR45 20075 TF	TRI45 20075 TF	TRD45 20075 TF	TRTG 20075 TF	TRT 20075 TF
200x100	TRD 200100 TF	TR45 200100 TF	TRI45 200100 TF	TRD45 200100 TF	TRTG 200100 TF	TRT 200100 TF
200x150	TRD 200150 TF	TR45 200150 TF	TRI45 200150 TF	TRD45 200150 TF	TRTG 200150 TF	TRT 200150 TF
200x200	TRD 200200 TF	TR45 200200 TF	TRI45 200200 TF	TRD45 200200 TF	TRTG 200200 TF	TRT 200200 TF
225x50	TRD 22550 TF	TR45 22550 TF	TRI45 22550 TF	TRD45 22550 TF	TRTG 22550 TF	TRT 22550 TF
225x75	TRD 22575 TF	TR45 22575 TF	TRI45 22575 TF	TRD45 22575 TF	TRTG 22575 TF	TRT 22575 TF
225x100	TRD 225100 TF	TR45 225100 TF	TRI45 225100 TF	TRD45 225100 TF	TRTG 225100 TF	TRT 225100 TF
225x150	TRD 225150 TF	TR45 225150 TF	TRI45 225150 TF	TRD45 225150 TF	TRTG 225150 TF	TRT 225150 TF
225x200	TRD 225200 TF	TR45 225200 TF	TRI45 225200 TF	TRD45 225200 TF	TRTG 225200 TF	TRT 225200 TF
225x225	TRD 225225 TF	TR45 225225 TF	TRI45 225225 TF	TRD45 225225 TF	TRTG 225225 TF	TRT 225225 TF
250x50	TRD 25050 TF	TR45 25050 TF	TRI45 25050 TF	TRD45 25050 TF	TRTG 25050 TF	TRT 25050 TF
250x75	TRD 25075 TF	TR45 25075 TF	TRI45 25075 TF	TRD45 25075 TF	TRTG 25075 TF	TRT 25075 TF
250x100	TRD 250100 TF	TR45 250100 TF	TRI45 250100 TF	TRD45 250100 TF	TRTG 250100 TF	TRT 250100 TF
250x150	TRD 250150 TF	TR45 250150 TF	TRI45 250150 TF	TRD45 250150 TF	TRTG 250150 TF	TRT 250150 TF
250x200	TRD 250200 TF	TR45 250200 TF	TRI45 250200 TF	TRD45 250200 TF	TRTG 250200 TF	TRT 250200 TF
250x250	TRD 250250 TF	TR45 250250 TF	TRI45 250250 TF	TRD45 250250 TF	TRTG 250250 TF	TRT 250250 TF
300x50	TRD 30050 TF	TR45 30050 TF	TRI45 30050 TF	TRD45 30050 TF	TRTG 30050 TF	TRT 30050 TF
300x75	TRD 30075 TF	TR45 30075 TF	TRI45 30075 TF	TRD45 30075 TF	TRTG 30075 TF	TRT 30075 TF
300x100	TRD 300100 TF	TR45 300100 TF	TRI45 300100 TF	TRD45 300100 TF	TRTG 300100 TF	TRT 300100 TF
300x150	TRD 300150 TF	TR45 300150 TF	TRI45 300150 TF	TRD45 300150 TF	TRTG 300150 TF	TRT 300150 TF
300x200	TRD 300200 TF	TR45 300200 TF	TRI45 300200 TF	TRD45 300200 TF	TRTG 300200 TF	TRT 300200 TF
300x300	TRD 300300 TF	TR45 300300 TF	TRI45 300300 TF	TRD45 300300 TF	TRTG 300300 TF	TRT 300300 TF
400x50	TRD 40050 TF	TR45 40050 TF	TRI45 40050 TF	TRD45 40050 TF	TRTG 40050 TF	TRT 40050 TF
400x75	TRD 40075 TF	TR45 40075 TF	TRI45 40075 TF	TRD45 40075 TF	TRTG 40075 TF	TRT 40075 TF
400x100	TRD 400100 TF	TR45 400100 TF	TRI45 400100 TF	TRD45 400100 TF	TRTG 400100 TF	TRT 400100 TF
400x150	TRD 400150 TF	TR45 400150 TF	TRI45 400150 TF	TRD45 400150 TF	TRTG 400150 TF	TRT 400150 TF
400x200	TRD 400200 TF	TR45 400200 TF	TRI45 400200 TF	TRD45 400200 TF	TRTG 400200 TF	TRT 400200 TF

<p>TRD - Outside lid 90° bend - quick fix lid Угол вертикальный вниз 90°, глухой</p>	<p>TR45 - Top lid 45° bend - quick fix lid Горизонтальный угол 45°, глухой</p>	<p>TRI45 - Inside lid 45° bend - quick fix lid Угол вертикальный вверх 45°, глухой</p>
<p>TRD45 - Inside lid tee bend - quick fix lid Угол вертикальный вниз 45°, глухой</p>	<p>TRTG - Top lid tee bend - gusset - quick fix lid Ответвитель горизонтальный Т-образный, глухой</p>	<p>TRT - Top lid tee bend - Square - quick fix lid Ответвитель горизонтальный Т-образный, глухой</p>

T: thickness of steel, the available options
0,6mm - 0,8mm- 1,0mm - 1,2mm -1,5mm - 2,0mm

T	Thickness, mm
06	0,6
08	0,8
10	1,0
12	1,2
15	1,5
20	2,0

F: materials and finish options

F	Finish Type
PG	Pregalvanised steel
HDG	Hot dip galvanised after fabrication
AL	Aluminium
S4	stainless steel AISI 304
S6	stainless steel AISI 316
EP	epoxy powder paint (RAL code)

Cable Trunking Systems



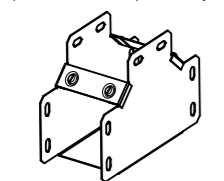
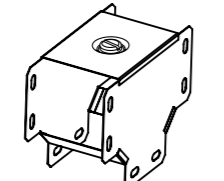
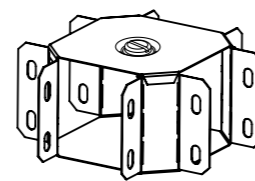
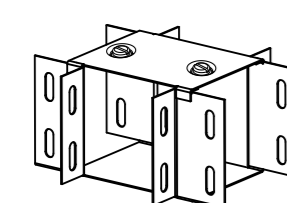
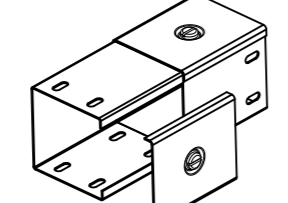
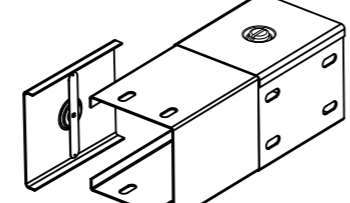
Steel Cable Trunkings

Trunking Tipi Kablo Kanali - Металлические кабельные короба, замковый

Fittings



Size mm	Inside Lid Tee Gusset	Outside Lid Tee Gusset	Crossovers Gusset	Crossovers Square	Change Faces Right Hand	Change Faces Left Hand
50x50	TRITG 5050 TF	TRDTG 5050 TF	TRXG 5050 TF	TRX 5050 TF	TRYDR 5050 TF	TRYDL 5050 TF
75x50	TRITG 7550 TF	TRDTG 7550 TF	TRXG 7550 TF	TRX 7550 TF	TRYDR 7550 TF	TRYDL 7550 TF
75x75	TRITG 7575 TF	TRDTG 7575 TF	TRXG 7575 TF	TRX 7575 TF	TRYDR 7575 TF	TRYDL 7575 TF
100x50	TRITG 10050 TF	TRDTG 10050 TF	TRXG 10050 TF	TRX 10050 TF	TRYDR 10050 TF	TRYDL 10050 TF
100x75	TRITG 10075 TF	TRDTG 10075 TF	TRXG 10075 TF	TRX 10075 TF	TRYDR 10075 TF	TRYDL 10075 TF
100x100	TRITG 100100 TF	TRDTG 100100 TF	TRXG 100100 TF	TRX 100100 TF	TRYDR 100100 TF	TRYDL 100100 TF
150x50	TRITG 15050 TF	TRDTG 15050 TF	TRXG 15050 TF	TRX 15050 TF	TRYDR 15050 TF	TRYDL 15050 TF
150x75	TRITG 15075 TF	TRDTG 15075 TF	TRXG 15075 TF	TRX 15075 TF	TRYDR 15075 TF	TRYDL 15075 TF
150x100	TRITG 150100 TF	TRDTG 150100 TF	TRXG 150100 TF	TRX 150100 TF	TRYDR 150100 TF	TRYDL 150100 TF
150x150	TRITG 150150 TF	TRDTG 150150 TF	TRXG 150150 TF	TRX 150150 TF	TRYDR 150150 TF	TRYDL 150150 TF
200x50	TRITG 20050 TF	TRDTG 20050 TF	TRXG 20050 TF	TRX 20050 TF	TRYDR 20050 TF	TRYDL 20050 TF
200x75	TRITG 20075 TF	TRDTG 20075 TF	TRXG 20075 TF	TRX 20075 TF	TRYDR 20075 TF	TRYDL 20075 TF
200x100	TRITG 200100 TF	TRDTG 200100 TF	TRXG 200100 TF	TRX 200100 TF	TRYDR 200100 TF	TRYDL 200100 TF
200x150	TRITG 200150 TF	TRDTG 200150 TF	TRXG 200150 TF	TRX 200150 TF	TRYDR 200150 TF	TRYDL 200150 TF
200x200	TRITG 200200 TF	TRDTG 200200 TF	TRXG 200200 TF	TRX 200200 TF	TRYDR 200200 TF	TRYDL 200200 TF
225x50	TRITG 22550 TF	TRDTG 22550 TF	TRXG 22550 TF	TRX 22550 TF	TRYDR 22550 TF	TRYDL 22550 TF
225x75	TRITG 22575 TF	TRDTG 22575 TF	TRXG 22575 TF	TRX 22575 TF	TRYDR 22575 TF	TRYDL 22575 TF
225x100	TRITG 225100 TF	TRDTG 225100 TF	TRXG 225100 TF	TRX 225100 TF	TRYDR 225100 TF	TRYDL 225100 TF
225x150	TRITG 225150 TF	TRDTG 225150 TF	TRXG 225150 TF	TRX 225150 TF	TRYDR 225150 TF	TRYDL 225150 TF
225x200	TRITG 225200 TF	TRDTG 225200 TF	TRXG 225200 TF	TRX 225200 TF	TRYDR 225200 TF	TRYDL 225200 TF
225x225	TRITG 225225 TF	TRDTG 225225 TF	TRXG 225225 TF	TRX 225225 TF	TRYDR 225225 TF	TRYDL 225225 TF
250x50	TRITG 25050 TF	TRDTG 25050 TF	TRXG 25050 TF	TRX 25050 TF	TRYDR 25050 TF	TRYDL 25050 TF
250x75	TRITG 25075 TF	TRDTG 25075 TF	TRXG 25075 TF	TRX 25075 TF	TRYDR 25075 TF	TRYDL 25075 TF
250x100	TRITG 250100 TF	TRDTG 250100 TF	TRXG 250100 TF	TRX 250100 TF	TRYDR 250100 TF	TRYDL 250100 TF
250x150	TRITG 250150 TF	TRDTG 250150 TF	TRXG 250150 TF	TRX 250150 TF	TRYDR 250150 TF	TRYDL 250150 TF
250x200	TRITG 250200 TF	TRDTG 250200 TF	TRXG 250200 TF	TRX 250200 TF	TRYDR 250200 TF	TRYDL 250200 TF
250x250	TRITG 250250 TF	TRDTG 250250 TF	TRXG 250250 TF	TRX 250250 TF	TRYDR 250250 TF	TRYDL 250250 TF
300x50	TRITG 30050 TF	TRDTG 30050 TF	TRXG 30050 TF	TRX 30050 TF	TRYDR 30050 TF	TRYDL 30050 TF
300x75	TRITG 30075 TF	TRDTG 30075 TF	TRXG 30075 TF	TRX 30075 TF	TRYDR 30075 TF	TRYDL 30075 TF
300x100	TRITG 300100 TF	TRDTG 300100 TF	TRXG 300100 TF	TRX 300100 TF	TRYDR 300100 TF	TRYDL 300100 TF
300x150	TRITG 300150 TF	TRDTG 300150 TF	TRXG 300150 TF	TRX 300150 TF	TRYDR 300150 TF	TRYDL 300150 TF
300x200	TRITG 300200 TF	TRDTG 300200 TF	TRXG 300200 TF	TRX 300200 TF	TRYDR 300200 TF	TRYDL 300200 TF
300x300	TRITG 300300 TF	TRDTG 300300 TF	TRXG 300300 TF	TRX 300300 TF	TRYDR 300300 TF	TRYDL 300300 TF
400x50	TRITG 40050 TF	TRDTG 40050 TF	TRXG 40050 TF	TRX 40050 TF	TRYDR 40050 TF	TRYDL 40050 TF
400x75	TRITG 40075 TF	TRDTG 40075 TF	TRXG 40075 TF	TRX 40075 TF	TRYDR 40075 TF	TRYDL 40075 TF
400x100	TRITG 400100 TF	TRDTG 400100 TF	TRXG 400100 TF	TRX 400100 TF	TRYDR 400100 TF	TRYDL 400100 TF
400x150	TRITG 400150 TF	TRDTG 400150 TF	TRXG 400150 TF	TRX 400150 TF	TRYDR 400150 TF	TRYDL 400150 TF
400x200	TRITG 400200 TF	TRDTG 400200 TF	TRXG 400200 TF	TRX 400200 TF	TRYDR 400200 TF	TRYDL 400200 TF

<p>TRITG - Top lid tee bend - quick fix lid Ответвитель горизонтальный Т-образный, глухой</p> 	<p>TRDTG - Outside lid tee bend - quick fix lid Ответвитель вертикальный Т-образный вниз, глухой</p> 	<p>TRXG - Top lid Crossover - gusset - quick fix lid Ответвитель горизонтальный Х-образный, глухой</p> 
<p>TRX - Top lid Crossover - quick - screw fix lid Ответвитель горизонтальный Х-образный, глухой</p> 	<p>TRYDL - Change faces left hand - quick fix lid Разворот плоскости левый, глухой</p> 	<p>TRYDR - Change faces right hand - quick fix lid Разворот плоскости правый, глухой</p> 

T: thickness of steel, the available options	
T	Thickness, mm
06	0,6
08	0,8
10	1,0
12	1,2
15	1,5
20	2,0

F: materials and finish options	
F	Finish Type
PG	Pregalvanised steel
HDG	Hot dip galvanised after fabrication
AL	Aluminium
S4	stainless steel AISI 304
S6	stainless steel AISI 316
EP	epoxy powder paint (RAL code)

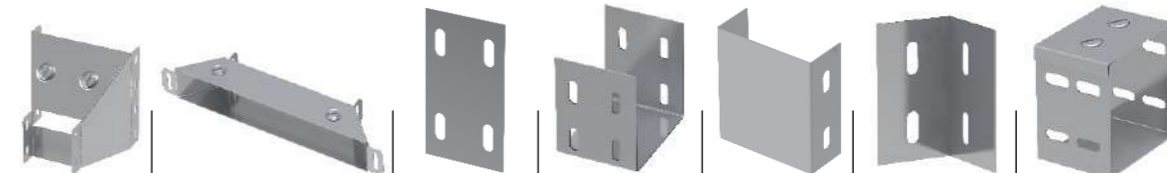
Cable Trunking Systems



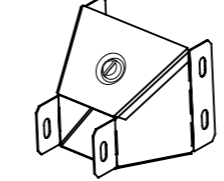
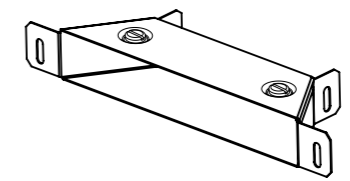
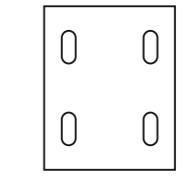
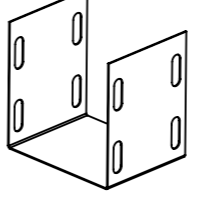
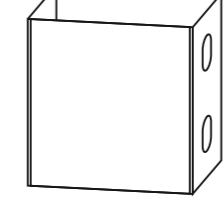
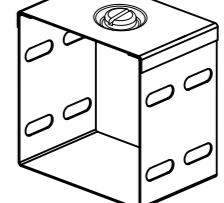
Steel Cable Trunkings

Trunking Tipi Kablo Kanali - Металлические кабельные короба, замковый

Fittings



Size mm	Reducer	Bellmouths	Standard Connector	U Type Connector	Stop End (Blind End)	Flange Connector (Pair)	Fitting Adapter
50x50		TRBM 5050 TF	TRBE 50 F	TRBU 5050 TF	TSO 5050 F	TDBE 50 F	TRDB 5050 F
75x50	TRRED 7550 R F	TRBM 7550 TF	TRBE 50 F	TRBU 7550 TF	TSO 7550 F	TDBE 50 F	TRDB 7550 F
75x75	TRRED 7575 R F	TRBM 7575 TF	TRBE 75 F	TRBU 7575 TF	TSO 7575 F	TDBE 75 F	TRDB 7575 F
100x50	TRRED 10050 R F	TRBM 10050 TF	TRBE 50 F	TRBU 10050 TF	TSO 10050 F	TDBE 50 F	TRDB 10050 F
100x75	TRRED 10075 R F	TRBM 10075 TF	TRBE 75 F	TRBU 10075 TF	TSO 10075 F	TDBE 75 F	TRDB 10075 F
100x100	TRRED 100100 R F	TRBM 100100 TF	TRBE 100 F	TRBU 100100 TF	TSO 100100 F	TDBE 100 F	TRDB 100100 F
150x50	TRRED 15050 R F	TRBM 15050 TF	TRBE 50 F	TRBU 15050 TF	TSO 15050 F	TDBE 50 F	TRDB 15050 F
150x75	TRRED 15075 R F	TRBM 15075 TF	TRBE 75 F	TRBU 15075 TF	TSO 15075 F	TDBE 75 F	TRDB 15075 F
150x100	TRRED 150100 R F	TRBM 150100 TF	TRBE 100 F	TRBU 150100 TF	TSO 150100 F	TDBE 100 F	TRDB 150100 F
150x150	TRRED 150150 R F	TRBM 150150 TF	TRBE 150 F	TRBU 150150 TF	TSO 150150 F	TDBE 150 F	TRDB 150150 F
200x50	TRRED 20050 R F	TRBM 20050 TF	TRBE 50 F	TRBU 20050 TF	TSO 20050 F	TDBE 50 F	TRDB 20050 F
200x75	TRRED 20075 R F	TRBM 20075 TF	TRBE 75 F	TRBU 20075 TF	TSO 20075 F	TDBE 75 F	TRDB 20075 F
200x100	TRRED 200100 R F	TRBM 200100 TF	TRBE 100 F	TRBU 200100 TF	TSO 200100 F	TDBE 100 F	TRDB 200100 F
200x150	TRRED 200150 R F	TRBM 200150 TF	TRBE 150 F	TRBU 200150 TF	TSO 200150 F	TDBE 150 F	TRDB 200150 F
200x200	TRRED 200200 R F	TRBM 200200 TF	TRBE 200 F	TRBU 200200 TF	TSO 200200 F	TDBE 200 F	TRDB 200200 F
225x50	TRRED 22550 R F	TRBM 22550 TF	TRBE 50 F	TRBU 22550 TF	TSO 22550 F	TDBE 50 F	TRDB 22550 F
225x75	TRRED 22575 R F	TRBM 22575 TF	TRBE 75 F	TRBU 22575 TF	TSO 22575 F	TDBE 75 F	TRDB 22575 F
225x100	TRRED 225100 R F	TRBM 225100 TF	TRBE 100 F	TRBU 225100 TF	TSO 225100 F	TDBE 100 F	TRDB 225100 F
225x150	TRRED 225150 R F	TRBM 225150 TF	TRBE 150 F	TRBU 225150 TF	TSO 225150 F	TDBE 150 F	TRDB 225150 F
225x200	TRRED 225200 R F	TRBM 225200 TF	TRBE 200 F	TRBU 225200 TF	TSO 225200 F	TDBE 200 F	TRDB 225200 F
225x225	TRRED 225225 R F	TRBM 225225 TF	TRBE 225 F	TRBU 225225 TF	TSO 225225 F	TDBE 225 F	TRDB 225225 F
250x50	TRRED 25050 R F	TRBM 25050 TF	TRBE 50 F	TRBU 25050 TF	TSO 25050 F	TDBE 50 F	TRDB 25050 F
250x75	TRRED 25075 R F	TRBM 25075 TF	TRBE 75 F	TRBU 25075 TF	TSO 25075 F	TDBE 75 F	TRDB 25075 F
250x100	TRRED 250100 R F	TRBM 250100 TF	TRBE 100 F	TRBU 250100 TF	TSO 250100 F	TDBE 100 F	TRDB 250100 F
250x150	TRRED 250150 R F	TRBM 250150 TF	TRBE 150 F	TRBU 250150 TF	TSO 250150 F	TDBE 150 F	TRDB 250150 F
250x200	TRRED 250200 R F	TRBM 250200 TF	TRBE 200 F	TRBU 250200 TF	TSO 250200 F	TDBE 200 F	TRDB 250200 F
250x250	TRRED 250250 R F	TRBM 250250 TF	TRBE 250 F	TRBU 250250 TF	TSO 250250 F	TDBE 250 F	TRDB 250250 F
300x50	TRRED 30050 R F	TRBM 30050 TF	TRBE 50 F	TRBU 30050 TF	TSO 30050 F	TDBE 50 F	TRDB 30050 F
300x75	TRRED 30075 R F	TRBM 30075 TF	TRBE 75 F	TRBU 30075 TF	TSO 30075 F	TDBE 75 F	TRDB 30075 F
300x100	TRRED 300100 R F	TRBM 300100 TF	TRBE 100 F	TRBU 300100 TF	TSO 300100 F	TDBE 100 F	TRDB 300100 F
300x150	TRRED 300150 R F	TRBM 300150 TF	TRBE 150 F	TRBU 300150 TF	TSO 300150 F	TDBE 150 F	TRDB 300150 F
300x200	TRRED 300200 R F	TRBM 300200 TF	TRBE 200 F	TRBU 300200 TF	TSO 300200 F	TDBE 200 F	TRDB 300200 F
300x300	TRRED 300300 R F	TRBM 300300 TF	TRBE 300 F	TRBU 300300 TF	TSO 300300 F	TDBE 300 F	TRDB 300300 F
400x50	TRRED 40050 R F	TRBM 40050 TF	TRBE 50 F	TRBU 40050 TF	TSO 40050 F	TDBE 50 F	TRDB 40050 F
400x75	TRRED 40075 R F	TRBM 40075 TF	TRBE 75 F	TRBU 40075 TF	TSO 40075 F	TDBE 75 F	TRDB 40075 F
400x100	TRRED 400100 R F	TRBM 400100 TF	TRBE 100 F	TRBU 400100 TF	TSO 400100 F	TDBE 100 F	TRDB 400100 F
400x150	TRRED 400150 R F	TRBM 400150 TF	TRBE 150 F	TRBU 400150 TF	TSO 400150 F	TDBE 150 F	TRDB 400150 F
400x200	TRRED 400200 R F	TRBM 400200 TF	TRBE 200 F	TRBU 400200 TF	TSO 400200 F	TDBE 200 F	TRDB 400200 F

<p>TRRED - Reducer - quick fix lid Редукция</p> 	<p>TRBM - Bellmouth - quick fix lid Соединительный фланец</p> 	<p>TRBE - Straight connector Соединительная пластина, прямая</p> 
<p>TRBU - U type connector Соединительная пластина, U-образная</p> 	<p>TSO Stop end (Blind end) Заглушка</p> 	<p>TRDB - Fitting adapter - quick fix lid Соединитель углов</p> 

T: thickness of steel, the available options	
T	Thickness, mm
06	0,6
08	0,8
10	1,0
12	1,2
15	1,5
20	2,0

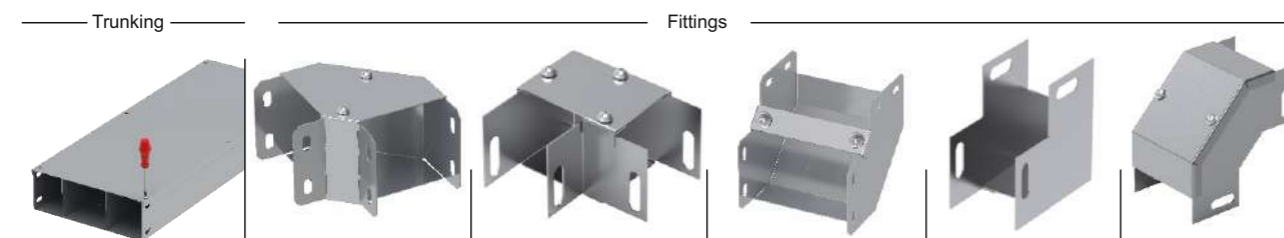
F: materials and finish options	
F	Finish Type
PG	Pregalvanised steel
HDG	Hot dip galvanised after fabrication
AL	Aluminium
S4	stainless steel AISI 304
S6	stainless steel AISI 316
EP	epoxy powder paint (RAL code)

Cable Trunking Systems



Steel Cable Trunkings

Trunking Tipi Kablo Kanali - Металлические кабельные короба, замковый



Size mm	Straight Unit	Top Lid 90° Gusset	Top Lid 90° Square	Inside Lid 90° Gusset	Inside Lid 90° Square	Outside Lid 90° Gusset
50x50	TRS 5050 TF	TS90G 5050 TF	TS90 5050 TF	TSIG 5050 TF	TSI 5050 TF	TSDG 5050 TF
75x50	TRS 7550 TF	TS90G 7550 TF	TS90 7550 TF	TSIG 7550 TF	TSI 7550 TF	TSDG 7550 TF
75x75	TRS 7575 TF	TS90G 7575 TF	TS90 7575 TF	TSIG 7575 TF	TSI 7575 TF	TSDG 7575 TF
100x50	TRS 10050 TF	TS90G 10050 TF	TS90 10050 TF	TSIG 10050 TF	TSI 10050 TF	TSDG 10050 TF
100x75	TRS 10075 TF	TS90G 10075 TF	TS90 10075 TF	TSIG 10075 TF	TSI 10075 TF	TSDG 10075 TF
100x100	TRS 100100 TF	TS90G 100100 TF	TS90 100100 TF	TSIG 100100 TF	TSI 100100 TF	TSDG 100100 TF
150x50	TRS 15050 TF	TS90G 15050 TF	TS90 15050 TF	TSIG 15050 TF	TSI 15050 TF	TSDG 15050 TF
150x75	TRS 15075 TF	TS90G 15075 TF	TS90 15075 TF	TSIG 15075 TF	TSI 15075 TF	TSDG 15075 TF
150x100	TRS 150100 TF	TS90G 150100 TF	TS90 150100 TF	TSIG 150100 TF	TSI 150100 TF	TSDG 150100 TF
150x150	TRS 150150 TF	TS90G 150150 TF	TS90 150150 TF	TSIG 150150 TF	TSI 150150 TF	TSDG 150150 TF
200x50	TRS 20050 TF	TS90G 20050 TF	TS90 20050 TF	TSIG 20050 TF	TSI 20050 TF	TSDG 20050 TF
200x75	TRS 20075 TF	TS90G 20075 TF	TS90 20075 TF	TSIG 20075 TF	TSI 20075 TF	TSDG 20075 TF
200x100	TRS 200100 TF	TS90G 200100 TF	TS90 200100 TF	TSIG 200100 TF	TSI 200100 TF	TSDG 200100 TF
200x150	TRS 200150 TF	TS90G 200150 TF	TS90 200150 TF	TSIG 200150 TF	TSI 200150 TF	TSDG 200150 TF
200x200	TRS 200200 TF	TS90G 200200 TF	TS90 200200 TF	TSIG 200200 TF	TSI 200200 TF	TSDG 200200 TF
225x50	TRS 22550 TF	TS90G 22550 TF	TS90 22550 TF	TSIG 22550 TF	TSI 22550 TF	TSDG 22550 TF
225x75	TRS 22575 TF	TS90G 22575 TF	TS90 22575 TF	TSIG 22575 TF	TSI 22575 TF	TSDG 22575 TF
225x100	TRS 225100 TF	TS90G 225100 TF	TS90 225100 TF	TSIG 225100 TF	TSI 225100 TF	TSDG 225100 TF
225x150	TRS 225150 TF	TS90G 225150 TF	TS90 225150 TF	TSIG 225150 TF	TSI 225150 TF	TSDG 225150 TF
225x200	TRS 225200 TF	TS90G 225200 TF	TS90 225200 TF	TSIG 225200 TF	TSI 225200 TF	TSDG 225200 TF
225x225	TRS 225225 TF	TS90G 225225 TF	TS90 225225 TF	TSIG 225225 TF	TSI 225225 TF	TSDG 225225 TF
250x50	TRS 25050 TF	TS90G 25050 TF	TS90 25050 TF	TSIG 25050 TF	TSI 25050 TF	TSDG 25050 TF
250x75	TRS 25075 TF	TS90G 25075 TF	TS90 25075 TF	TSIG 25075 TF	TSI 25075 TF	TSDG 25075 TF
250x100	TRS 250100 TF	TS90G 250100 TF	TS90 250100 TF	TSIG 250100 TF	TSI 250100 TF	TSDG 250100 TF
250x150	TRS 250150 TF	TS90G 250150 TF	TS90 250150 TF	TSIG 250150 TF	TSI 250150 TF	TSDG 250150 TF
250x200	TRS 250200 TF	TS90G 250200 TF	TS90 250200 TF	TSIG 250200 TF	TSI 250200 TF	TSDG 250200 TF
250x250	TRS 250250 TF	TS90G 250250 TF	TS90 250250 TF	TSIG 250250 TF	TSI 250250 TF	TSDG 250250 TF
300x50	TRS 30050 TF	TS90G 30050 TF	TS90 30050 TF	TSIG 30050 TF	TSI 30050 TF	TSDG 30050 TF
300x75	TRS 30075 TF	TS90G 30075 TF	TS90 30075 TF	TSIG 30075 TF	TSI 30075 TF	TSDG 30075 TF
300x100	TRS 300100 TF	TS90G 300100 TF	TS90 300100 TF	TSIG 300100 TF	TSI 300100 TF	TSDG 300100 TF
300x150	TRS 300150 TF	TS90G 300150 TF	TS90 300150 TF	TSIG 300150 TF	TSI 300150 TF	TSDG 300150 TF
300x200	TRS 300200 TF	TS90G 300200 TF	TS90 300200 TF	TSIG 300200 TF	TSI 300200 TF	TSDG 300200 TF
300x300	TRS 300300 TF	TS90G 300300 TF	TS90 300300 TF	TSIG 300300 TF	TSI 300300 TF	TSDG 300300 TF
400x50	TRS 40050 TF	TS90G 40050 TF	TS90 40050 TF	TSIG 40050 TF	TSI 40050 TF	TSDG 40050 TF
400x75	TRS 40075 TF	TS90G 40075 TF	TS90 40075 TF	TSIG 40075 TF	TSI 40075 TF	TSDG 40075 TF
400x100	TRS 400100 TF	TS90G 400100 TF	TS90 400100 TF	TSIG 400100 TF	TSI 400100 TF	TSDG 400100 TF
400x150	TRS 400150 TF	TS90G 400150 TF	TS90 400150 TF	TSIG 400150 TF	TSI 400150 TF	TSDG 400150 TF
400x200	TRS 400200 TF	TS90G 400200 TF	TS90 400200 TF	TSIG 400200 TF	TSI 400200 TF	TSDG 400200 TF

TRS - Steel Cable Trunkings - screw fix lid Metallic cable boxes, bolted 	TS90G - Top lid 90° bend - screw fix lid Горизонтальный угол 90°, глухой 	TS90 - Top lid 90° bend - screw fix lid Горизонтальный угол 90°, глухой
TSDG - Outside lid 90° bend - screw fix lid Угол вертикальный вниз 90°, глухой 	TSIG - Inside lid 90° bend - screw fix lid Угол вертикальный вверх 90°, глухой 	TSI - Inside lid 90° bend - screw fix lid Угол вертикальный вверх 90°, глухой

T: thickness of steel, the available options	
T	Thickness, mm
06	0,6
08	0,8
10	1,0
12	1,2
15	1,5
20	2,0

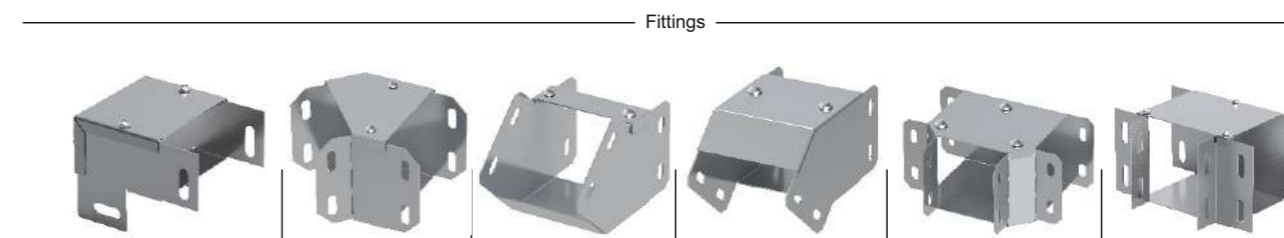
F: materials and finish options	
F	Finish Type
PG	Pregalvanised steel
HDG	Hot dip galvanised after fabrication
AL	Aluminium
S4	stainless steel AISI 304
S6	stainless steel AISI 316
EP	epoxy powder paint (RAL code)

Cable Trunking Systems



Steel Cable Trunkings

Trunking Tipi Kablo Kanali - Металлические кабельные короба, замковый



Size mm	Outside Lid 90° Square	Top Lid 45° Gusset	Inside Lid 45° Bend	Outside Lid 45° Bend	Top Lid tee - Gusset	Top Lid tee - Square
50x50	TSD 5050 TF	TS45 5050 TF	TSI45 5050 TF	TSD45 5050 TF	TSTG 5050 TF	TST 5050 TF
75x50	TSD 7550 TF	TS45 7550 TF	TSI45 7550 TF	TSD45 7550 TF	TSTG 7550 TF	TST 7550 TF
75x75	TSD 7575 TF	TS45 7575 TF	TSI45 7575 TF	TSD45 7575 TF	TSTG 7575 TF	TST 7575 TF
100x50	TSD 10050 TF	TS45 10050 TF	TSI45 10050 TF	TSD45 10050 TF	TSTG 10050 TF	TST 10050 TF
100x75	TSD 10075 TF	TS45 10075 TF	TSI45 10075 TF	TSD45 10075 TF	TSTG 10075 TF	TST 10075 TF
100x100	TSD 100100 TF	TS45 100100 TF	TSI45 100100 TF	TSD45 100100 TF	TSTG 100100 TF	TST 100100 TF
150x50	TSD 15050 TF	TS45 15050 TF	TSI45 15050 TF	TSD45 15050 TF	TSTG 15050 TF	TST 15050 TF
150x75	TSD 15075 TF	TS45 15075 TF	TSI45 15075 TF	TSD45 15075 TF	TSTG 15075 TF	TST 15075 TF
150x100	TSD 150100 TF	TS45 150100 TF	TSI45 150100 TF	TSD45 150100 TF	TSTG 150100 TF	TST 150100 TF
150x150	TSD 150150 TF	TS45 150150 TF	TSI45 150150 TF	TSD45 150150 TF	TSTG 150150 TF	TST 150150 TF
200x50	TSD 20050 TF	TS45 20050 TF	TSI45 20050 TF	TSD45 20050 TF	TSTG 20050 TF	TST 20050 TF
200x75	TSD 20075 TF	TS45 20075 TF	TSI45 20075 TF	TSD45 20075 TF	TSTG 20075 TF	TST 20075 TF
200x100	TSD 200100 TF	TS45 200100 TF	TSI45 200100 TF	TSD45 200100 TF	TSTG 200100 TF	TST 200100 TF
200x150	TSD 200150 TF	TS45 200150 TF	TSI45 200150 TF	TSD45 200150 TF	TSTG 200150 TF	TST 200150 TF
200x200	TSD 200200 TF	TS45 200200 TF	TSI45 200200 TF	TSD45 200200 TF	TSTG 200200 TF	TST 200200 TF
225x50	TSD 22550 TF	TS45 22550 TF	TSI45 22550 TF	TSD45 22550 TF	TSTG 22550 TF	TST 22550 TF
225x75	TSD 22575 TF	TS45 22575 TF	TSI45 22575 TF	TSD45 22575 TF	TSTG 22575 TF	TST 22575 TF
225x100	TSD 225100 TF	TS45 225100 TF	TSI45 225100 TF	TSD45 225100 TF	TSTG 225100 TF	TST 225100 TF
225x150	TSD 225150 TF	TS45 225150 TF	TSI45 225150 TF	TSD45 225150 TF	TSTG 225150 TF	TST 225150 TF
225x200	TSD 225200 TF	TS45 225200 TF	TSI45 225200 TF	TSD45 225200 TF	TSTG 225200 TF	TST 225200 TF
225x225	TSD 225225 TF	TS45 225225 TF	TSI45 225225 TF	TSD45 225225 TF	TSTG 225225 TF	TST 225225 TF
250x50	TSD 25050 TF	TS45 25050 TF	TSI45 25050 TF	TSD45 25050 TF	TSTG 25050 TF	TST 25050 TF
250x75	TSD 25075 TF	TS45 25075 TF	TSI45 25075 TF	TSD45 25075 TF	TSTG 25075 TF	TST 25075 TF
250x100	TSD 250100 TF	TS45 250100 TF	TSI45 250100 TF	TSD45 250100 TF	TSTG 250100 TF	TST 250100 TF
250x150	TSD 250150 TF	TS45 250150 TF	TSI45 250150 TF	TSD45 250150 TF	TSTG 250150 TF	TST 250150 TF
250x200	TSD 250200 TF	TS45 250200 TF	TSI45 250200 TF	TSD45 250200 TF	TSTG 250200 TF	TST 250200 TF
250x250	TSD 250250 TF	TS45 250250 TF	TSI45 250250 TF	TSD45 250250 TF	TSTG 250250 TF	TST 250250 TF
300x50	TSD 30050 TF	TS45 30050 TF	TSI45 30050 TF	TSD45 30050 TF	TSTG 30050 TF	TST 30050 TF
300x75	TSD 30075 TF	TS45 30075 TF	TSI45 30075 TF	TSD45 30075 TF	TSTG 30075 TF	TST 30075 TF
300x100	TSD 300100 TF	TS45 300100 TF	TSI45 300100 TF	TSD45 300100 TF	TSTG 300100 TF	TST 300100 TF
300x150	TSD 300150 TF	TS45 300150 TF	TSI45 300150 TF	TSD45 300150 TF	TSTG 300150 TF	TST 300150 TF
300x200	TSD 300200 TF	TS45 300200 TF	TSI45 300200 TF	TSD45 300200 TF	TSTG 300200 TF	TST 300200 TF
300x300	TSD 300300 TF	TS45 300300 TF	TSI45 300300 TF	TSD45 300300 TF	TSTG 300300 TF	TST 300300 TF
400x50	TSD 40050 TF	TS45 40050 TF	TSI45 40050 TF	TSD45 40050 TF	TSTG 40050 TF	TST 40050 TF
400x75	TSD 40075 TF	TS45 40075 TF	TSI45 40075 TF	TSD45 40075 TF	TSTG 40075 TF	TST 40075 TF
400x100	TSD 400100 TF	TS45 400100 TF	TSI45 400100 TF	TSD45 400100 TF	TSTG 400100 TF	TST 400100 TF
400x150	TSD 400150 TF	TS45 400150 TF	TSI45 400150 TF	TSD45 400150 TF	TSTG 400150 TF	TST 400150 TF
400x200	TSD 400200 TF	TS45 400200 TF	TSI45 400200 TF	TSD45 400200 TF	TSTG 400200 TF	TST 400200 TF

TSD - Outside lid 90° bend - screw fix lid Угол вертикальный вниз 90°, глухой 	TS45 - Горизонтальный угол 45°, глухой Top lid 45° bend - screw fix 	TSI45 - Inside lid 45° bend - screw fix lid Угол вертикальный вверх 45°, глухой
TSD45 - Inside lid tee bend - screw fix lid Угол вертикальный вниз 45°, глухой 	TSTG - Top lid tee bend - gusset - screw fix lid Ответитель горизонтальный Т-образный, глухой 	TST - Top lid tee bend - Square - screw fix lid Ответитель горизонтальный Т-образный, глухой

T: thickness of steel, the available options	
T	Thickness, mm
06	0,6
08	0,8
10	1,0
12	1,2
15	1,5
20	2,0

F: materials and finish options	
F	Finish Type
PG	Pregalvanised steel
HDG	Hot dip galvanised after fabrication
AL	Aluminium
S4	stainless steel AISI 304
S6	stainless steel AISI 316
EP	epoxy powder paint (RAL code)

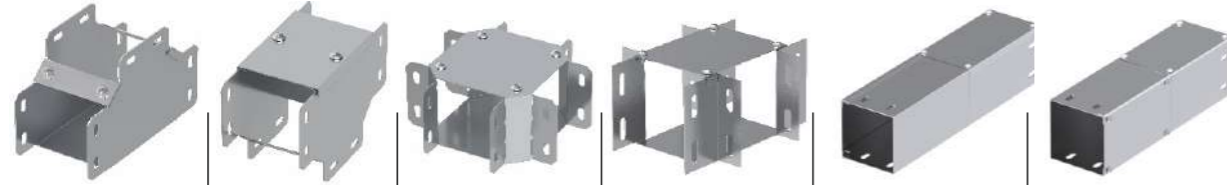
Cable Trunking Systems



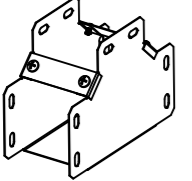
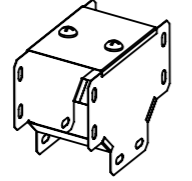
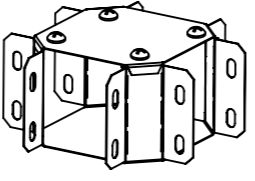
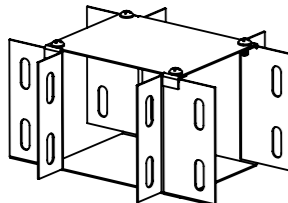
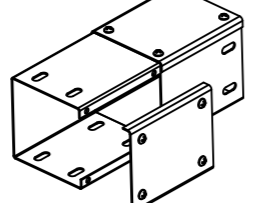
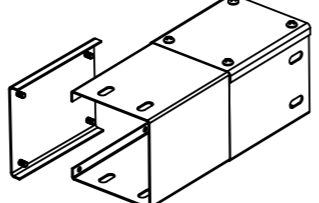
Steel Cable Trunkings

Trunking Tipi Kablo Kanali - Металлические кабельные короба, замковый

Fittings



Size mm	Inside Lid Tee Gusset	Outside Lid Tee Gusset	Crossovers Gusset	Crossovers Square	Change Faces Right Hand	Change Faces Left Hand
50x50						
75x50	TSITG 7550 TF	TSDTG 7550 TF	TSXG 7550 TF	TSX 7550 TF	TSYDR 7550 TF	TSYDL 7550 TF
75x75	TSITG 7575 TF	TSDTG 7575 TF	TSXG 7575 TF	TSX 7575 TF	TSYDR 7575 TF	TSYDL 7575 TF
100x50	TSITG 10050 TF	TSDTG 10050 TF	TSXG 10050 TF	TSX 10050 TF	TSYDR 10050 TF	TSYDL 10050 TF
100x75	TSITG 10075 TF	TSDTG 10075 TF	TSXG 10075 TF	TSX 10075 TF	TSYDR 10075 TF	TSYDL 10075 TF
100x100	TSITG 100100 TF	TSDTG 100100 TF	TSXG 100100 TF	TSX 100100 TF	TSYDR 100100 TF	TSYDL 100100 TF
150x50	TSITG 15050 TF	TSDTG 15050 TF	TSXG 15050 TF	TSX 15050 TF	TSYDR 15050 TF	TSYDL 15050 TF
150x75	TSITG 15075 TF	TSDTG 15075 TF	TSXG 15075 TF	TSX 15075 TF	TSYDR 15075 TF	TSYDL 15075 TF
150x100	TSITG 150100 TF	TSDTG 150100 TF	TSXG 150100 TF	TSX 150100 TF	TSYDR 150100 TF	TSYDL 150100 TF
150x150	TSITG 150150 TF	TSDTG 150150 TF	TSXG 150150 TF	TSX 150150 TF	TSYDR 150150 TF	TSYDL 150150 TF
200x50	TSITG 20050 TF	TSDTG 20050 TF	TSXG 20050 TF	TSX 20050 TF	TSYDR 20050 TF	TSYDL 20050 TF
200x75	TSITG 20075 TF	TSDTG 20075 TF	TSXG 20075 TF	TSX 20075 TF	TSYDR 20075 TF	TSYDL 20075 TF
200x100	TSITG 200100 TF	TSDTG 200100 TF	TSXG 200100 TF	TSX 200100 TF	TSYDR 200100 TF	TSYDL 200100 TF
200x150	TSITG 200150 TF	TSDTG 200150 TF	TSXG 200150 TF	TSX 200150 TF	TSYDR 200150 TF	TSYDL 200150 TF
200x200	TSITG 200200 TF	TSDTG 200200 TF	TSXG 200200 TF	TSX 200200 TF	TSYDR 200200 TF	TSYDL 200200 TF
225x50	TSITG 22550 TF	TSDTG 22550 TF	TSXG 22550 TF	TSX 22550 TF	TSYDR 22550 TF	TSYDL 22550 TF
225x75	TSITG 22575 TF	TSDTG 22575 TF	TSXG 22575 TF	TSX 22575 TF	TSYDR 22575 TF	TSYDL 22575 TF
225x100	TSITG 225100 TF	TSDTG 225100 TF	TSXG 225100 TF	TSX 225100 TF	TSYDR 225100 TF	TSYDL 225100 TF
225x150	TSITG 225150 TF	TSDTG 225150 TF	TSXG 225150 TF	TSX 225150 TF	TSYDR 225150 TF	TSYDL 225150 TF
225x200	TSITG 225200 TF	TSDTG 225200 TF	TSXG 225200 TF	TSX 225200 TF	TSYDR 225200 TF	TSYDL 225200 TF
225x225	TSITG 225225 TF	TSDTG 225225 TF	TSXG 225225 TF	TSX 225225 TF	TSYDR 225225 TF	TSYDL 225225 TF
250x50	TSITG 25050 TF	TSDTG 25050 TF	TSXG 25050 TF	TSX 25050 TF	TSYDR 25050 TF	TSYDL 25050 TF
250x75	TSITG 25075 TF	TSDTG 25075 TF	TSXG 25075 TF	TSX 25075 TF	TSYDR 25075 TF	TSYDL 25075 TF
250x100	TSITG 250100 TF	TSDTG 250100 TF	TSXG 250100 TF	TSX 250100 TF	TSYDR 250100 TF	TSYDL 250100 TF
250x150	TSITG 250150 TF	TSDTG 250150 TF	TSXG 250150 TF	TSX 250150 TF	TSYDR 250150 TF	TSYDL 250150 TF
250x200	TSITG 250200 TF	TSDTG 250200 TF	TSXG 250200 TF	TSX 250200 TF	TSYDR 250200 TF	TSYDL 250200 TF
250x250	TSITG 250250 TF	TSDTG 250250 TF	TSXG 250250 TF	TSX 250250 TF	TSYDR 250250 TF	TSYDL 250250 TF
300x50	TSITG 30050 TF	TSDTG 30050 TF	TSXG 30050 TF	TSX 30050 TF	TSYDR 30050 TF	TSYDL 30050 TF
300x75	TSITG 30075 TF	TSDTG 30075 TF	TSXG 30075 TF	TSX 30075 TF	TSYDR 30075 TF	TSYDL 30075 TF
300x100	TSITG 300100 TF	TSDTG 300100 TF	TSXG 300100 TF	TSX 300100 TF	TSYDR 300100 TF	TSYDL 300100 TF
300x150	TSITG 300150 TF	TSDTG 300150 TF	TSXG 300150 TF	TSX 300150 TF	TSYDR 300150 TF	TSYDL 300150 TF
300x200	TSITG 300200 TF	TSDTG 300200 TF	TSXG 300200 TF	TSX 300200 TF	TSYDR 300200 TF	TSYDL 300200 TF
300x300	TSITG 300300 TF	TSDTG 300300 TF	TSXG 300300 TF	TSX 300300 TF	TSYDR 300300 TF	TSYDL 300300 TF
400x50	TSITG 40050 TF	TSDTG 40050 TF	TSXG 40050 TF	TSX 40050 TF	TSYDR 40050 TF	TSYDL 40050 TF
400x75	TSITG 40075 TF	TSDTG 40075 TF	TSXG 40075 TF	TSX 40075 TF	TSYDR 40075 TF	TSYDL 40075 TF
400x100	TSITG 400100 TF	TSDTG 400100 TF	TSXG 400100 TF	TSX 400100 TF	TSYDR 400100 TF	TSYDL 400100 TF
400x150	TSITG 400150 TF	TSDTG 400150 TF	TSXG 400150 TF	TSX 400150 TF	TSYDR 400150 TF	TSYDL 400150 TF
400x200	TSITG 400200 TF	TSDTG 400200 TF	TSXG 400200 TF	TSX 400200 TF	TSYDR 400200 TF	TSYDL 400200 TF

<p>TSITG - Top lid tee bend - screw fix lid Отвечитель горизонтальный T-образный, глухой</p> 	<p>TSDTG - Outside lid tee bend - screw fix lid Отвечитель вертикальный T-образный вниз, глухой</p> 	<p>TSXG - Top lid Crossover - gusset - screw fix lid Отвечитель горизонтальный X-образный, глухой</p> 
<p>TSX - Top lid Crossover - square - screw fix lid Отвечитель горизонтальный X-образный, глухой</p> 	<p>TSYDL - Change faces left hand - screw fix lid Разворот плоскости левый, глухой</p> 	<p>TSYDR - Change faces right hand - screw fix lid Разворот плоскости правый, глухой</p> 

T: thickness of steel, the available options	
0,6mm - 0,8mm- 1,0mm - 1,2mm -1,5mm - 2,0mm	
T	Thickness, mm
06	0,6
08	0,8
10	1,0
12	1,2
15	1,5
20	2,0

F: materials and finish options	
F	Finish Type
PG	Pregalvanised steel
HDG	Hot dip galvanised after fabrication
AL	Aluminium
S4	Stainless steel AISI 304
S6	Stainless steel AISI 316
EP	Epoxy powder paint (RAL code)

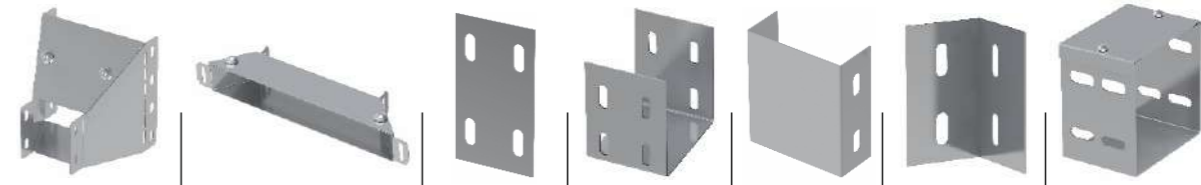
Cable Trunking Systems



Steel Cable Trunkings

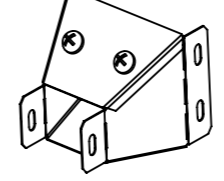
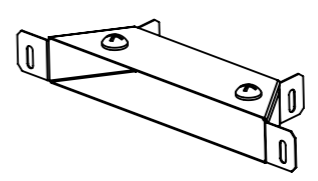
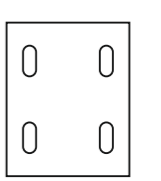
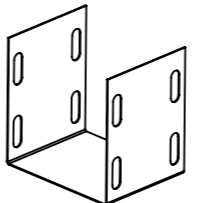
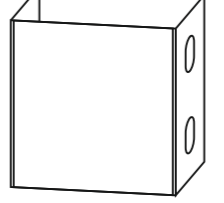
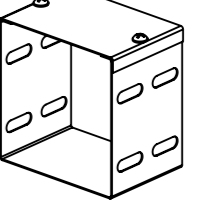
Trunking Tipi Kablo Kanali - Металлические кабельные короба, замковый

Fittings



ACCESSORIES

Size mm	Reducer	Bellmouths	Standard Connector	U Type Connector	Stop End (Blind End)	Flange Connector (Pair)	Fitting Adapter
50x50		TSBM 5050 TF	TRBE 50 F	TRBU 5050 TF	TSO 5050 F	TDBE 50 F	TSDB 5050 F
75x50	TSRED 7550 R F	TSBM 7550 TF	TRBE 50 F	TRBU 7550 TF	TSO 7550 F	TDBE 50 F	TSDB 7550 F
75x75	TSRED 7575 R F	TSBM 7575 TF	TRBE 75 F	TRBU 7575 TF	TSO 7575 F	TDBE 75 F	TSDB 7575 F
100x50	TSRED 10050 R F	TSBM 10050 TF	TRBE 50 F	TRBU 10050 TF	TSO 10050 F	TDBE 50 F	TSDB 10050 F
100x75	TSRED 10075 R F	TSBM 10075 TF	TRBE 75 F	TRBU 10075 TF	TSO 10075 F	TDBE 75 F	TSDB 10075 F
100x100	TSRED 100100 R F	TSBM 100100 TF	TRBE 100 F	TRBU 100100 TF	TSO 100100 F	TDBE 100 F	TSDB 100100 F
150x50	TSRED 15050 R F	TSBM 15050 TF	TRBE 50 F	TRBU 15050 TF	TSO 15050 F	TDBE 50 F	TSDB 15050 F
150x75	TSRED 15075 R F	TSBM 15075 TF	TRBE 75 F	TRBU 15075 TF	TSO 15075 F	TDBE 75 F	TSDB 15075 F
150x100	TSRED 150100 R F	TSBM 150100 TF	TRBE 100 F	TRBU 150100 TF	TSO 150100 F	TDBE 100 F	TSDB 150100 F
150x150	TSRED 150150 R F	TSBM 150150 TF	TRBE 150 F	TRBU 150150 TF	TSO 150150 F	TDBE 150 F	TSDB 150150 F
200x50	TSRED 20050 R F	TSBM 20050 TF	TRBE 50 F	TRBU 20050 TF	TSO 20050 F	TDBE 50 F	TSDB 20050 F
200x75	TSRED 20075 R F	TSBM 20075 TF	TRBE 75 F	TRBU 20075 TF	TSO 20075 F	TDBE 75 F	TSDB 20075 F
200x100	TSRED 200100 R F	TSBM 200100 TF	TRBE 100 F	TRBU 200100 TF	TSO 200100 F	TDBE 100 F	TSDB 200100 F
200x150	TSRED 200150 R F	TSBM 200150 TF	TRBE 150 F	TRBU 200150 TF	TSO 200150 F	TDBE 150 F	TSDB 200150 F
200x200	TSRED 200200 R F	TSBM 200200 TF	TRBE 200 F	TRBU 200200 TF	TSO 200200 F	TDBE 200 F	TSDB 200200 F
225x50	TSRED 22550 R F	TSBM 22550 TF	TRBE 50 F	TRBU 22550 TF	TSO 22550 F	TDBE 50 F	TSDB 22550 F
225x75	TSRED 22575 R F	TSBM 22575 TF	TRBE 75 F	TRBU 22575 TF	TSO 22575 F	TDBE 75 F	TSDB 22575 F
225x100	TSRED 225100 R F	TSBM 225100 TF	TRBE 100 F	TRBU 225100 TF	TSO 225100 F	TDBE 100 F	TSDB 225100 F
225x150	TSRED 225150 R F	TSBM 225150 TF	TRBE 150 F	TRBU 225150 TF	TSO 225150 F	TDBE 150 F	TSDB 225150 F
225x200	TSRED 225200 R F	TSBM 225200 TF	TRBE 200 F	TRBU 225200 TF	TSO 225200 F	TDBE 200 F	TSDB 225200 F
225x225	TSRED 225225 R F	TSBM 225225 TF	TRBE 225 F	TRBU 225225 TF	TSO 225225 F	TDBE 225 F	TSDB 225225 F
250x50	TSRED 25050 R F	TSBM 25050 TF	TRBE 50 F	TRBU 25050 TF	TSO 25050 F	TDBE 50 F	TSDB 25050 F
250x75	TSRED 25075 R F	TSBM 25075 TF	TRBE 75 F	TRBU 25075 TF	TSO 25075 F	TDBE 75 F	TSDB 25075 F
250x100	TSRED 250100 R F	TSBM 250100 TF	TRBE 100 F	TRBU 250100 TF	TSO 250100 F	TDBE 100 F	TSDB 250100 F
250x150	TSRED 250150 R F	TSBM 250150 TF	TRBE 150 F	TRBU 250150 TF	TSO 250150 F	TDBE 150 F	TSDB 250150 F
250x200	TSRED 250200 R F	TSBM 250200 TF	TRBE 200 F	TRBU 250200 TF	TSO 250200 F	TDBE 200 F	TSDB 250200 F
250x250	TSRED 250250 R F	TSBM 250250 TF	TRBE 250 F	TRBU 250250 TF	TSO 250250 F	TDBE 250 F	TSDB 250250 F
300x50	TSRED 30050 R F	TSBM 30050 TF	TRBE 50 F	TRBU 30050 TF	TSO 30050 F	TDBE 50 F	TSDB 30050 F
300x75	TSRED 30075 R F	TSBM 30075 TF	TRBE 75 F	TRBU 30075 TF	TSO 30075 F	TDBE 75 F	TSDB 30075 F
300x100	TSRED 300100 R F	TSBM 300100 TF	TRBE 100 F	TRBU 300100 TF	TSO 300100 F	TDBE 100 F	TSDB 300100 F
300x150	TSRED 300150 R F	TSBM 300150 TF	TRBE 150 F	TRBU 300150 TF	TSO 300150 F	TDBE 150 F	TSDB 300150 F
300x200	TSRED 300200 R F	TSBM 300200 TF	TRBE 200 F	TRBU 300200 TF	TSO 300200 F	TDBE 200 F	TSDB 300200 F
300x300	TSRED 300300 R F	TSBM 300300 TF	TRBE 300 F	TRBU 300300 TF	TSO 300300 F	TDBE 300 F	TSDB 300300 F
400x50	TSRED 40050 R F	TSBM 40050 TF	TRBE 50 F	TRBU 40050 TF	TSO 40050 F	TDBE 50 F	TSDB 40050 F
400x75	TSRED 40075 R F	TSBM 40075 TF	TRBE 75 F	TRBU 40075 TF	TSO 40075 F	TDBE 75 F	TSDB 40075 F
400x100	TSRED 400100 R F	TSBM 400100 TF	TRBE 100 F	TRBU 400100 TF	TSO 400100 F	TDBE 100 F	TSDB 400100 F
400x150	TSRED 400150 R F	TSBM 400150 TF	TRBE 150 F	TRBU 400150 TF	TSO 400150 F	TDBE 150 F	TSDB 400150 F
400x200	TSRED 400200 R F	TSBM 400200 TF	TRBE 200 F	TRBU 400200 TF	TSO 400200 F	TDBE 200 F	TSDB 400200 F

<p>TSRED - Reducer - screw fix lid Редукция</p> 	<p>TSBM - Bellmouth - screw fix lid Соединительный фланец</p> 	<p>TRBE - Straight connector Соединительная пластина, прямая</p> 
<p>TRBU - U type connector Соединительная пластина, U-образная</p> 	<p>TSO - Stop end (Blind end) Заглушка</p> 	<p>TSDB - Fitting adapter - screw fix lid Соединитель углов</p> 

T: thickness of steel, the available options	
0,6mm - 0,8mm- 1,0mm - 1,2mm -1,5mm - 2,0mm	
T	Thickness, mm
06	0,6
08	0,8
10	1,0
12	1,2
15	1,5
20	2,0

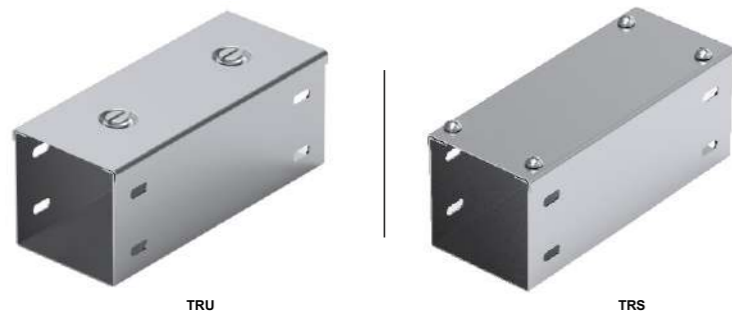
F: materials and finish options	
F	Finish Type
PG	Pregalvanised steel
HDG	Hot dip galvanised after fabrication
AL	Aluminium
S4	stainless steel AISI 304
S6	stainless steel AISI 316
EP	epoxy powder paint (RAL code)

Cable Trunking Systems



Steel Cable Trunkings

Trunking Tipi Kablo Kanali - Металлические кабельные короба



TRU

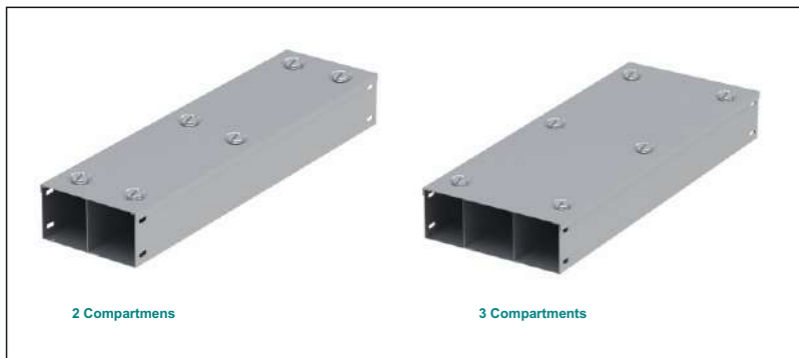
TRS

Important

To install cable tray - straight use Screw sets CFS M6 or M8

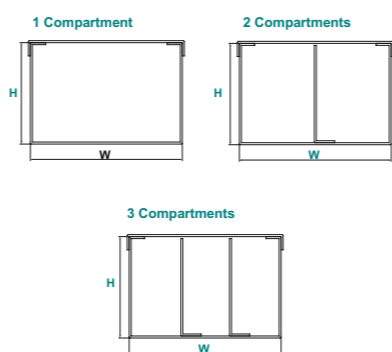
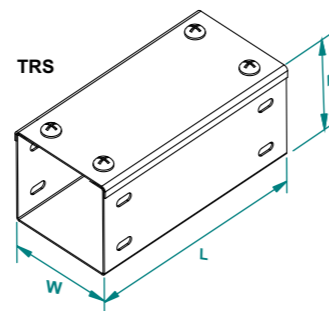
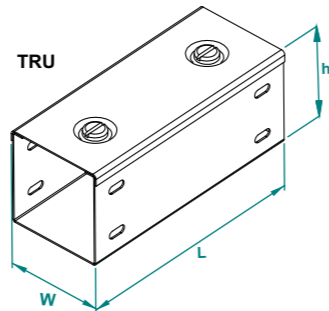
QUICK FIXING TYPE	SCREWED FIXING TYPE	W Width (mm)	H Height (mm)	T Thickness (mm)	F Finish
CODE	CODE				
Straight Unit	Straight Unit				
TRU 5050 TF	TRS 5050 TF	50	50	0,8 mm	PG HDG EPOXY SS304 AL
TRU 7550 TF	TRS 7550 TF	75	50		
TRU 7575 TF	TRS 7575 TF	75	75		
TRU 10050 TF	TRS 10050 TF	100	50	1,0 mm	
TRU 10075 TF	TRS 10075 TF	100	75		
TRU 100100 TF	TRS 100100 TF	100	100	1,2 mm	
TRU 15050 TF	TRS 15050 TF	150	50		
TRU 15075 TF	TRS 15075 TF	150	75	1,5 mm	
TRU 150100 TF	TRS 150100 TF	150	100		
TRU 150150 TF	TRS 150150 TF	150	150	2,0 mm	
TRU 20050 TF	TRS 20050 TF	200	50		
TRU 20075 TF	TRS 20075 TF	200	75	0,8 mm	
TRU 200100 TF	TRS 200100 TF	200	100		
TRU 200150 TF	TRS 200150 TF	200	150	1,0 mm	
TRU 200200 TF	TRS 200200 TF	200	200		
TRU 22550 TF	TRS 22550 TF	225	50	1,2 mm	
TRU 22575 TF	TRS 22575 TF	225	75		
TRU 225100 TF	TRS 225100 TF	225	100	1,5 mm	
TRU 225150 TF	TRS 225150 TF	225	150		
TRU 225200 TF	TRS 225200 TF	225	200	2,0 mm	
TRU 225225 TF	TRS 225225 TF	225	225		
TRU 25050 TF	TRS 25050 TF	250	50	0,8 mm	
TRU 25075 TF	TRS 25075 TF	250	75		
TRU 250100 TF	TRS 250100 TF	250	100	1,0 mm	
TRU 250150 TF	TRS 250150 TF	250	150		
TRU 250200 TF	TRS 250200 TF	250	200	1,2 mm	
TRU 250250 TF	TRS 250250 TF	250	250		
TRU 30050 TF	TRS 30050 TF	300	50	1,5 mm	
TRU 30075 TF	TRS 30075 TF	300	75		
TRU 300100 TF	TRS 300100 TF	300	100	2,0 mm	
TRU 300150 TF	TRS 300150 TF	300	150		
TRU 300200 TF	TRS 300200 TF	300	200	0,8 mm	
TRU 300300 TF	TRS 300300 TF	300	300		
TRU 40050 TF	TRS 40050 TF	400	50	1,0 mm	
TRU 40075 TF	TRS 40075 TF	400	75		
TRU 400100 TF	TRS 400100 TF	400	100	1,2 mm	
TRU 400150 TF	TRS 400150 TF	400	150		
TRU 400200 TF	TRS 400200 TF	400	200	AL	

Mounting Example



2 Compartments

3 Compartments



W	H	mm ²
50	50	20 cm ²
75	75	48 cm ²
100	100	90 cm ²
150	150	210 cm ²
200	200	380 cm ²
250	250	600 cm ²

APPLICATIONS

Cable routing

MATERIAL

Steel, strip-galv.acc. to the sendzimir method to TSE-EN 10346:2011 (PG)

Available finishes:

HDG-steel, hot-dip galv. to TSE-EN ISO 1461:2011(HDG)
SS-Stainless steel AISI 304L and AISI316L (SS)
EP-Powder coating in a full range of colours (RAL)

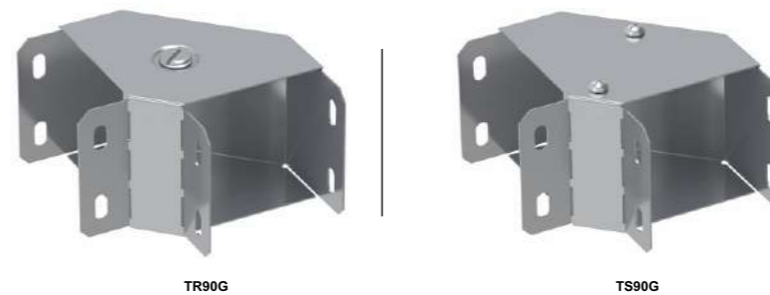
Thickn. (ga) [mm]: **0,6 | 0,8 | 1,0 | 1,2 | 1,5**

Cable Trunking Systems



Top Lid 90° Bend - Gusset

90° yatay dönüş (Geniş açılı) - Горизонтальный угол 90°, глухой



TR90G

TS90G

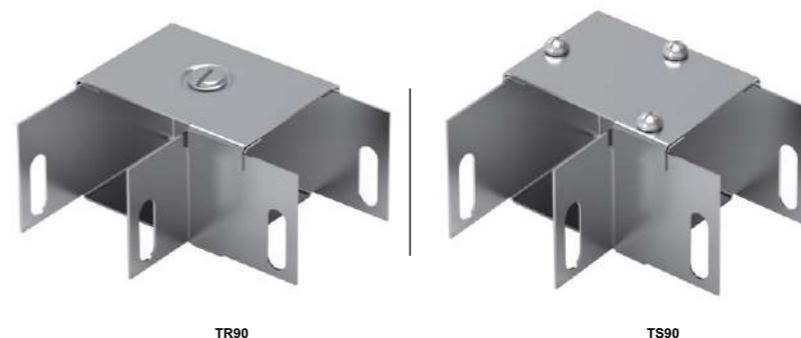
Important

To install cable tray - straight use Screw sets CFS M6 or M8

QUICK FIXING TYPE	SCREWED FIXING TYPE	W Width (mm)	A (mm)	B (mm)	C (mm)	T Thickness (mm)	F Finish
CODE	CODE						
TR90G	TS90G	50	75	75	35	0,8 mm	PG HDG EPOXY SS304 AL
		75	100	100	35		
		100	125	125	35	1,0 mm	
		150	175	175	35		
		200	225	225	35	1,2 mm	
		225	250	250	35		
		250	270	270	35	1,5 mm	
		300	325	325	35		
400	425	425	35	2,0 mm			

Top Lid 90° Bend - Square

90° yatay dönüş (Kare) - Горизонтальный угол 90°, глухой



TR90

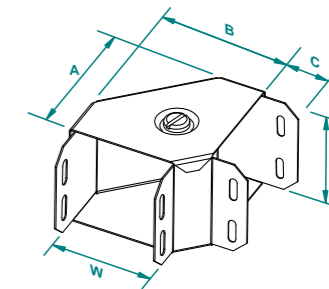
TS90

Important

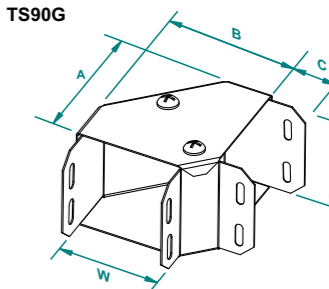
To install cable tray - straight use Screw sets CFS M6 or M8

QUICK FIXING TYPE	SCREWED FIXING TYPE	W Width (mm)	A (mm)	B (mm)	C (mm)	T Thickness (mm)	F Finish
CODE	CODE						
TR90	TS90	50	50	85	35	0,8 mm	PG HDG EPOXY SS304 AL
		75	75	110	35		
		100	100	135	35	1,0 mm	
		150	150	185	35		
		200	200	235	35	1,2 mm	
		225	225	260	35		
		250	250	285	35	1,5 mm	
		300	300	335	35		
400	400	435	35	2,0 mm			

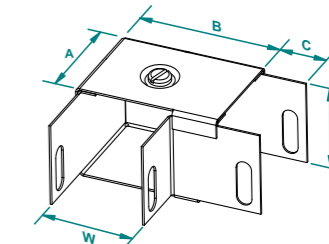
TR90G



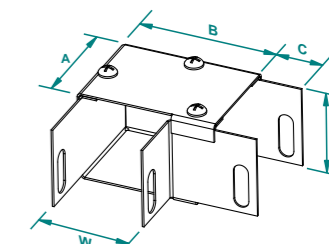
TS90G



TR90



TS90



APPLICATIONS

Cable routing

MATERIAL

Steel, strip-galv.acc. to the sendzimir method to TSE-EN 10346:2011 (PG)

Available finishes:

HDG-steel, hot-dip galv. to TSE-EN ISO 1461:2011(HDG)
SS-Stainless steel AISI 304L and AISI316L (SS)
EP-Powder coating in a full range of colours (RAL)

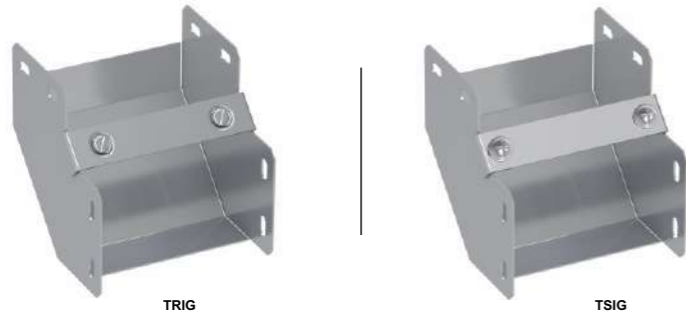
Thickn. (ga) [mm]: **0,8 | 1,0 | 1,2 | 1,5 | 2,0**

Cable Trunking Systems



Inside Lid 90° Bend - Gusset

İç bükey 90° dikey dönüş (Geniş açılı) - Горизонтальный угол 90°, глухой



TRIG

TSIG

Important

To install cable tray - straight use Screw sets CFS M6 or M8

QUICK FIXING TYPE	SCREWED FIXING TYPE	H Height (mm)	A (mm)	B (mm)	C (mm)	T Thickness (mm)	F Finish
CODE	CODE						
TR90G	TS90G	50	75	75	25	0,8 mm	PG
		75	100	100	25		
		100	125	125	25		
		150	175	175	25		
		200	225	225	25		
		225	250	250	25		
		250	275	275	25		
300	325	325	25	1,0 mm	HDG		
						1,2 mm	EPOXY
						1,5 mm	SS304
						2,0 mm	AL

Inside Lid 90° Bend - Square

İç bükey 90° dikey dönüş - Угол вертикальный вверх 90°, глухой



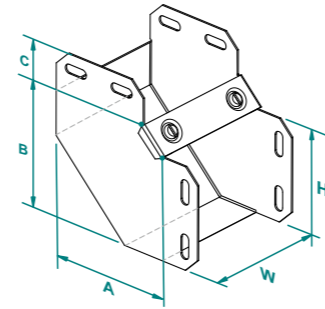
TRI / TSI

Important

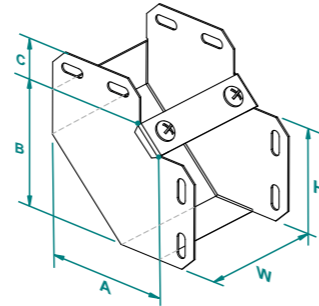
To install cable tray - straight use Screw sets CFS M6 or M8

QUICK FIXING TYPE	SCREWED FIXING TYPE	H Height (mm)	A (mm)	B (mm)	C (mm)	T Thickness (mm)	F Finish
CODE	CODE						
TRI	TSI	50	50	50	35	0,8 mm	PG
		75	75	75	35		
		100	100	100	35		
		150	150	150	35		
		200	200	200	35		
		225	225	225	35		
		250	250	250	35		
300	300	300	35	1,0 mm	HDG		
						1,2 mm	EPOXY
						1,5 mm	SS304
						2,0 mm	AL

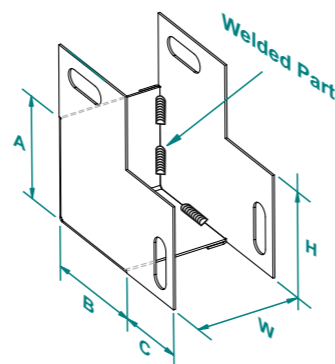
TRIG



TSIG



TRI



APPLICATIONS

Cable routing

MATERIAL

Steel, strip-galv.acc. to the sendzimir method to TSE-EN 10346:2011 (PG)

Available finishes:

HDG-steel, hot-dip galv. to TSE-EN ISO 1461:2011(HDG)
SS-Stainless steel AISI 304L and AISI316L (SS)
EP-Powder coating in a full range of colours (RAL)

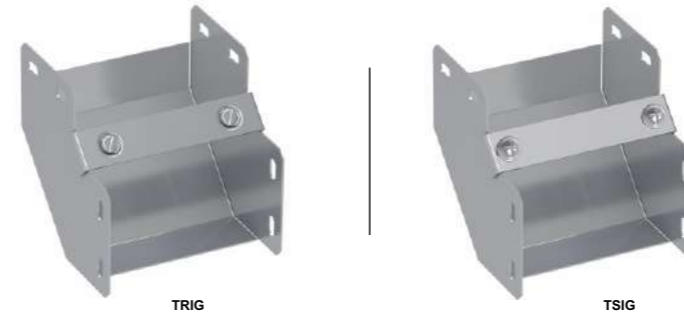
Thickn. (ga) [mm]: **0.8 | 1.0 | 1.2 | 1.5 | 2.0**

Cable Trunking Systems



Inside Lid 90° Bend - Gusset

İç bükey 90° dikey dönüş (Geniş açılı) - Горизонтальный угол 90°, глухой



TRIG

TSIG

Important

To install cable tray - straight use Screw sets CFS M6 or M8

QUICK FIXING TYPE	SCREWED FIXING TYPE	H Height (mm)	A (mm)	B (mm)	C (mm)	T Thickness (mm)	F Finish
CODE	CODE						
TR90G	TS90G	50	75	75	25	0,8 mm	PG
		75	100	100	25		
		100	125	125	25		
		150	175	175	25		
		200	225	225	25		
		225	250	250	25		
		250	275	275	25		
300	325	325	25	1,0 mm	HDG		
						1,2 mm	EPOXY
						1,5 mm	SS304
						2,0 mm	AL

Inside Lid 90° Bend - Square

İç bükey 90° dikey dönüş - Угол вертикальный вверх 90°, глухой



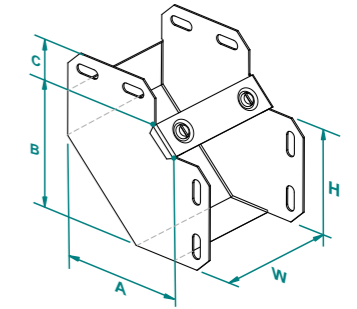
TRI / TSI

Important

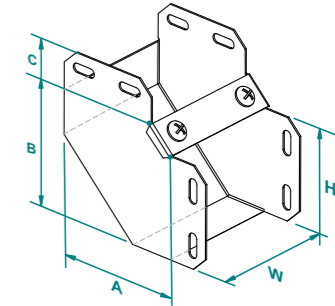
To install cable tray - straight use Screw sets CFS M6 or M8

QUICK FIXING TYPE	SCREWED FIXING TYPE	H Height (mm)	A (mm)	B (mm)	C (mm)	T Thickness (mm)	F Finish
CODE	CODE						
TRI	TSI	50	50	50	35	0,8 mm	PG
		75	75	75	35		
		100	100	100	35		
		150	150	150	35		
		200	200	200	35		
		225	225	225	35		
		250	250	250	35		
300	300	300	35	1,0 mm	HDG		
						1,2 mm	EPOXY
						1,5 mm	SS304
						2,0 mm	AL

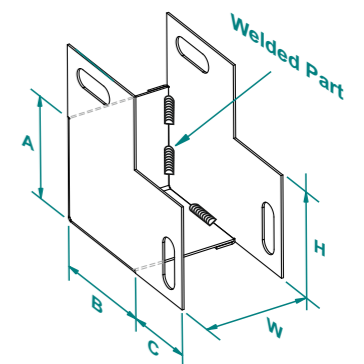
TRIG



TSIG



TRI



APPLICATIONS

Cable routing

MATERIAL

Steel, strip-galv.acc. to the sendzimir method to TSE-EN 10346:2011 (PG)

Available finishes:

HDG-steel, hot-dip galv. to TSE-EN ISO 1461:2011(HDG)
SS-Stainless steel AISI 304L and AISI316L (SS)
EP-Powder coating in a full range of colours (RAL)

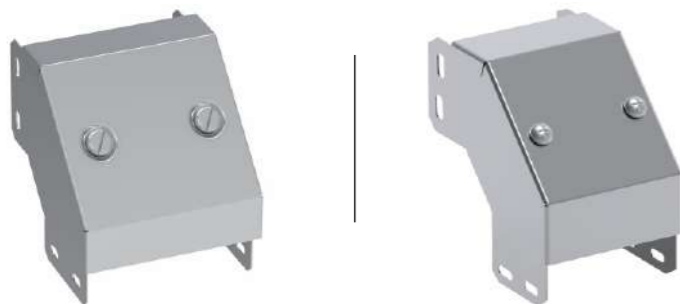
Thickn. (ga) [mm]: **0.8 | 1.0 | 1.2 | 1.5 | 2.0**

Cable Trunking Systems



Outside Lid 90° Bend - Gusset

Diş bükey 90° dikey dönüş (Geniş açılı) - Угол вертикальный вниз 90°, глухой



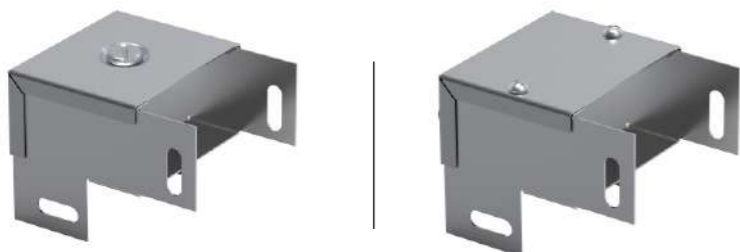
Important

To install cable tray - straight use Screw sets CFS M6 or M8

QUICK FIXING TYPE	SCREWED FIXING TYPE	H Height (mm)	A (mm)	B (mm)	C (mm)	T Thickness (mm)	F Finish
TRDG	TSDG	50	75	75	35	0,8 mm 1,0 mm 1,2 mm 1,5 mm 2,0 mm	PG HDG EPOXY SS304 AL
		75	100	100	35		
		100	125	125	35		
		150	175	175	35		
		200	225	225	35		
		225	250	250	35		
		250	270	270	35		
300	325	325	35				

Outside Lid 90° Bend - Square

Diş bükey 90° dikey dönüş (Kare) - Угол вертикальный вниз 90°, глухой

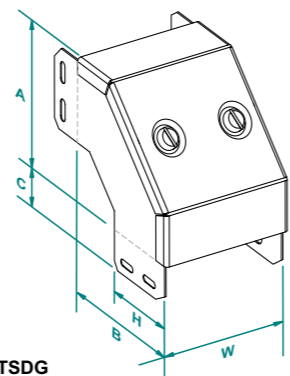


Important

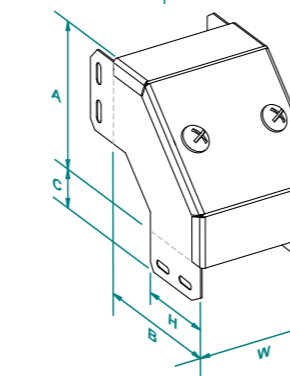
To install cable tray - straight use Screw sets CFS M6 or M8

QUICK FIXING TYPE	SCREWED FIXING TYPE	UP TO WIDTH 150 mm				T Thickness (mm)	F Finish
		H Height (mm)	A (mm)	B (mm)	C (mm)		
TRD	TSD	50	50	85	35	0,8 mm 1,0 mm 1,2 mm 1,5 mm 2,0 mm	PG HDG EPOXY SS304 AL
		75	75	110	35		
		100	100	135	35		
		150	150	185	35		
		FOR WIDTH 200 - 300					
		50	85	85	35		
		75	110	110	35		
		100	135	135	35		
		150	185	185	35		
		200	235	235	35		
		225	260	260	35		
		250	285	285	35		
		300	335	335	35		

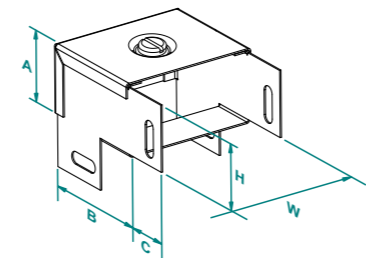
TRDG



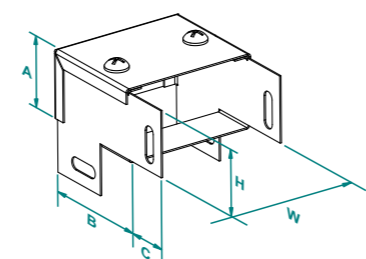
TSDG



TRD



TSD



APPLICATIONS

Cable routing

MATERIAL

Steel, strip-galv. acc. to the sendzimir method to TSE-EN 10346:2011 (PG)

Available finishes:

HDG-steel, hot-dip galv. to TSE-EN ISO 1461:2011(HDG)
SS-Stainless steel AISI 304L and AISI316L (SS)
EP-Powder coating in a full range of colours (RAL)

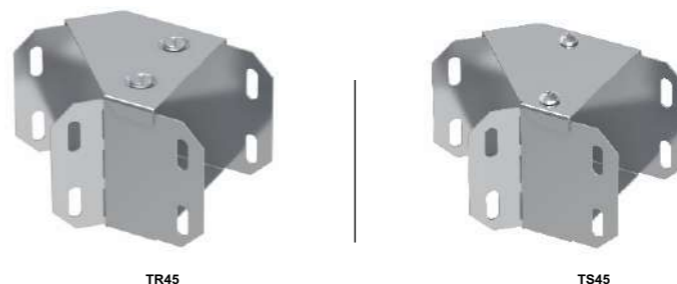
Thickn. (ga) [mm]: **0.8 | 1.0 | 1.2 | 1.5 | 2.0**

Cable Trunking Systems



Top Lid 45° Bend - Gusset

45° yatay dönüş - Горизонтальный угол 45°, глухой,



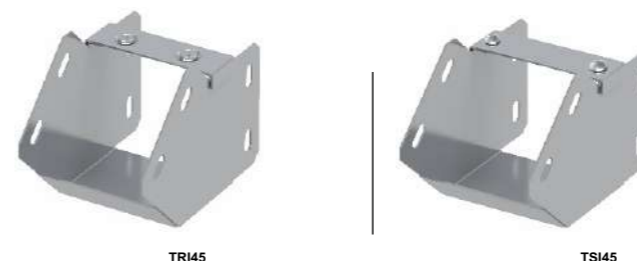
Important

To install cable tray - straight use Screw sets CFS M6 or M8

QUICK FIXING TYPE	SCREWED FIXING TYPE	T Thickness (mm)	F Finish
TR45	TS45	0,8 mm	PG HDG EPOXY SS304 AL
		1,0 mm	
		1,2 mm	
		1,5 mm	
		2,0 mm	

Inside Lid 45° Bend - Gusset

İç bükey 45° dikey dönüş - Угол вертикальный вверх 45°, глухой



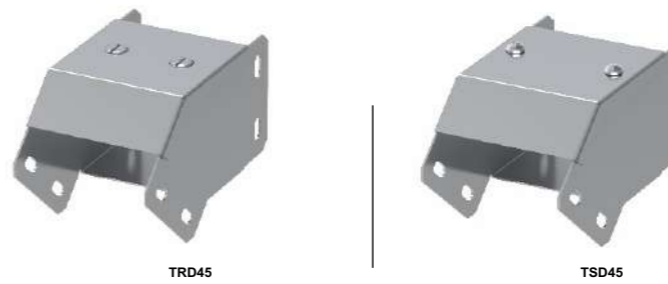
Important

To install cable tray - straight use Screw sets CFS M6 or M8

QUICK FIXING TYPE	SCREWED FIXING TYPE	T Thickness (mm)	F Finish
TRI45	TSI45	0,8 mm	PG HDG EPOXY SS304 AL
		1,0 mm	
		1,2 mm	
		1,5 mm	
		2,0 mm	

Outside Lid 45° Bend - Square

Diş bükey 45° dikey dönüş - Угол вертикальный вниз 45°, глухой

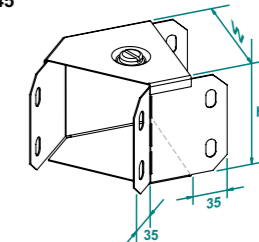


Important

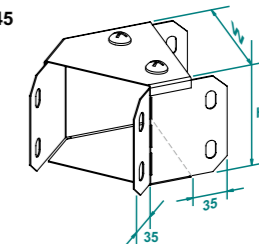
To install cable tray - straight use Screw sets CFS M6 or M8

QUICK FIXING TYPE	SCREWED FIXING TYPE	T Thickness (mm)	F Finish
TRD45	TSD45	0,8 mm	PG HDG EPOXY SS304 AL
		1,0 mm	
		1,2 mm	
		1,5 mm	
		2,0 mm	

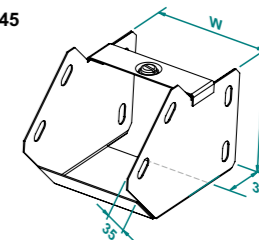
TR45



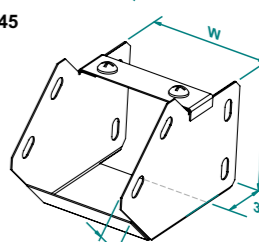
TS45



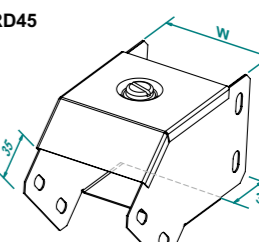
TRI45



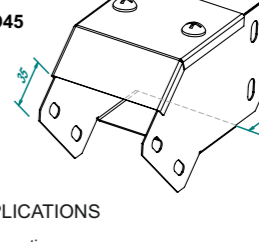
TSI45



TRD45



TSD45



APPLICATIONS

Cable routing

MATERIAL

Steel, strip-galv. acc. to the sendzimir method to TSE-EN 10346:2011 (PG)

Available finishes:

HDG-steel, hot-dip galv. to TSE-EN ISO 1461:2011(HDG)
SS-Stainless steel AISI 304L and AISI316L (SS)
EP-Powder coating in a full range of colours (RAL)

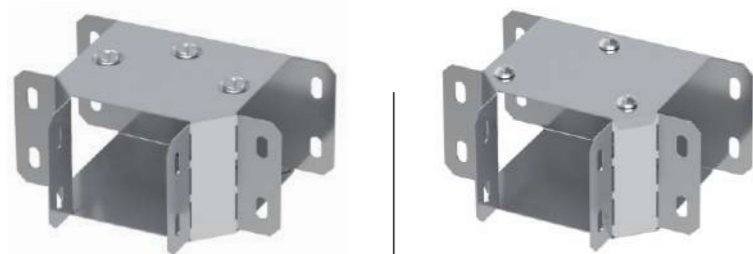
Thickn. (ga) [mm]: **0.8 | 1.0 | 1.2 | 1.5 | 2.0**

Cable Trunking Systems



Top Lid Tee Bend - Gusset

"T" yatay dönüş (Geniş açılı) - Ответвитель горизонтальный Т-образный, глухой



TRTG

TSTG

Important

To install cable tray - straight use Screw sets CFS M6 or M8

QUICK FIXING TYPE	SCREWED FIXING TYPE	W Width (mm)	A (mm)	B (mm)	C (mm)	T Thickness (mm)	F Finish
TRTG	TSTG	50	100	25	35	0,8 mm 1,0 mm 1,2 mm 1,5 mm 2,0 mm	PG HDG EPOXY SS304 AL
		75	125	25	35		
		100	150	25	35		
		150	200	25	35		
		200	250	25	35		
		225	275	25	35		
		250	300	25	35		
		300	350	25	35		
400	450	25	35				

Top Lid Tee Bend - Square

"T" yatay dönüş (Kare) - Ответвитель горизонтальный Т-образный, глухой



TRT

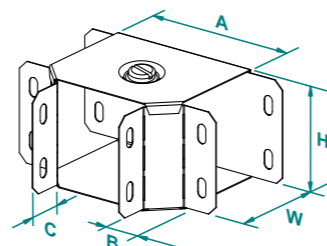
TST

Important

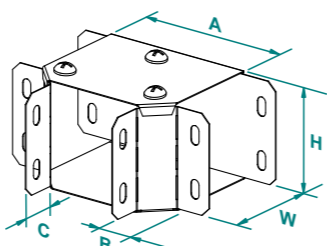
To install cable tray - straight use Screw sets CFS M6 or M8

QUICK FIXING TYPE	SCREWED FIXING TYPE	W Width (mm)	A (mm)	B (mm)	C (mm)	T Thickness (mm)	F Finish
TRT	TST	50	120	35	35	0,8 mm 1,0 mm 1,2 mm 1,5 mm 2,0 mm	PG HDG EPOXY SS304 AL
		75	145	35	35		
		100	170	35	35		
		150	220	35	35		
		200	270	35	35		
		225	295	35	35		
		250	320	35	35		
		300	370	35	35		
400	470	35	35				

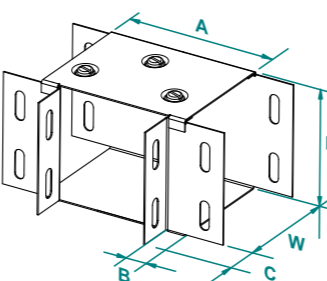
TRTG



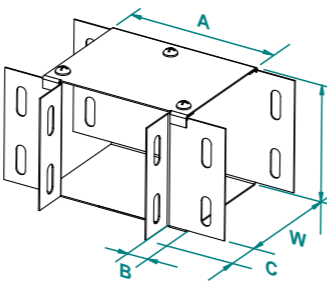
TSTG



TRT



TST



APPLICATIONS

Cable routing

MATERIAL

Steel, strip-galv.acc. to the sendzimir method to TSE-EN 10346:2011 (PG)

Available finishes:

HDG-steel, hot-dip galv. to TSE-EN ISO 1461:2011(HDG)
SS-Stainless steel AISI 304L and AISI316L (SS)
EP-Powder coating in a full range of colours (RAL)

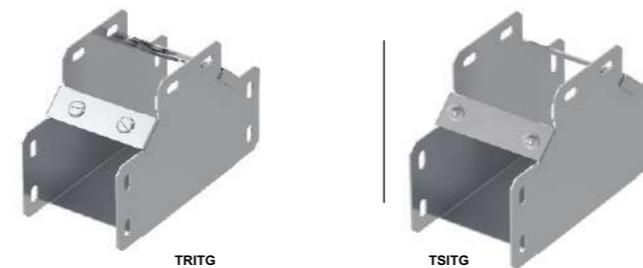
Thickn. (ga) [mm]: **0.8 | 1.0 | 1.2 | 1.5 | 2.0**

Cable Trunking Systems



Inside Lid Tee Bend - Square

İç bükey "T" dikey dönüş (Geniş açılı) - Ответвитель вертикальный Т-образный вверх, глухой



TRITG

TSITG

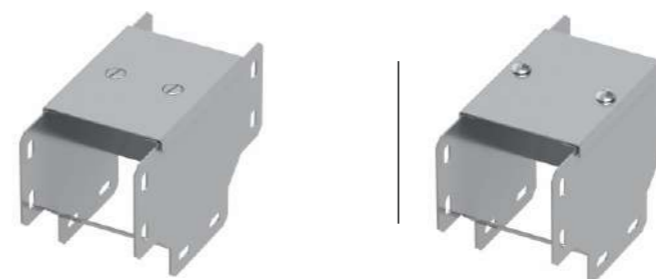
Important

To install cable tray - straight use Screw sets CFS M6 or M8

QUICK FIXING TYPE	SCREWED FIXING TYPE	UP TO WIDTH 150 mm				T Thickness (mm)	F Finish
		H Height (mm)	A (mm)	B (mm)	C (mm)		
TRITG	TSITG	50	100	25	35	0,8 mm 1,0 mm 1,2 mm 1,5 mm 2,0 mm	PG HDG EPOXY SS304 AL
		75	125	25	35		
		100	150	25	35		
		150	200	25	35		
		UP TO WIDTH 200 & 300mm					
		H Height (mm)	A (mm)	B (mm)	C (mm)		
		50	150	50	35		
		75	175	50	35		
		100	200	50	35		
		150	250	50	35		
		200	300	50	35		
		225	325	50	35		
		250	350	50	35		
		300	400	50	35		

Outside Lid Tee Bend - Gusset

Dış bükey "T" dikey dönüş - (Geniş açılı) - Ответвитель вертикальный Т-образный вниз, глухой



TRDTG

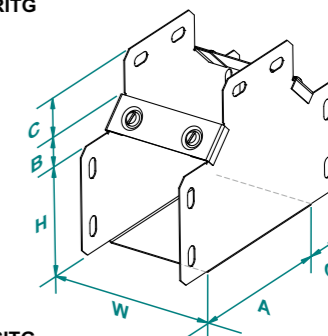
TSDTG

Important

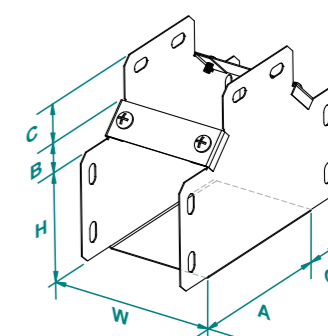
To install cable tray - straight use Screw sets CFS M6 or M8

QUICK FIXING TYPE	SCREWED FIXING TYPE	UP TO WIDTH 150 mm				T Thickness (mm)	F Finish
		H Height (mm)	A (mm)	B (mm)	C (mm)		
TRDTG	TSDTG	50	100	25	35	0,8 mm 1,0 mm 1,2 mm 1,5 mm 2,0 mm	PG HDG EPOXY SS304 AL
		75	125	25	35		
		100	150	25	35		
		150	200	25	35		
		UP TO WIDTH 150 mm					
		H Height (mm)	A (mm)	B (mm)	C (mm)		
		50	150	50	35		
		75	175	50	35		
		100	200	50	35		
		150	250	50	35		
		200	300	50	35		
		225	325	50	35		
		250	350	50	35		
		300	400	50	35		

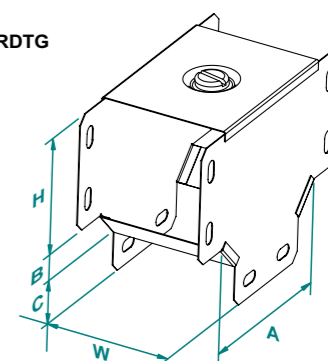
TRITG



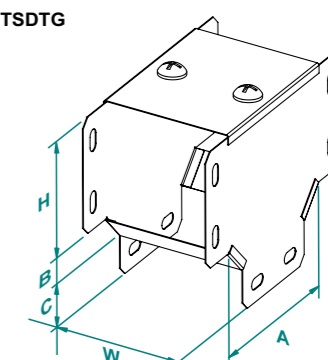
TSITG



TRDTG



TSDTG



APPLICATIONS

Cable routing

MATERIAL

Steel, strip-galv.acc. to the sendzimir method to TSE-EN 10346:2011 (PG)

Available finishes:

HDG-steel, hot-dip galv. to TSE-EN ISO 1461:2011(HDG)
SS-Stainless steel AISI 304L and AISI316L (SS)
EP-Powder coating in a full range of colours (RAL)

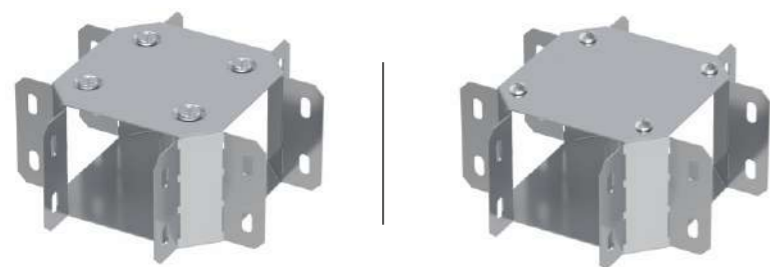
Thickn. (ga) [mm]: **0.8 | 1.0 | 1.2 | 1.5 | 2.0**

Cable Trunking Systems



Crossovers - Gusset

Dörtlü yatay dönüş (Geniş açılı) - Ответвитель горизонтальный X-образный, глухой



TRXG

TSXG

Important

To install cable tray - straight use Screw sets CFS M6 or M8

QUICK FIXING TYPE	SCREWED FIXING TYPE	W Width (mm)	A (mm)	B (mm)	C (mm)	T Thickness (mm)	F Finish
CODE	CODE						
TRXG	TSXG	50	100	100	35	0,8 mm	PG
		75	125	125	35		
		100	150	150	35		
		150	200	200	35		
		200	250	250	35		
		225	275	275	35		
		250	300	300	35		
		300	350	350	35		
400	450	450	35	1,0 mm	HDG		
						1,2 mm	EPOXY
						1,5 mm	SS304
						2,0 mm	AL

Crossovers - Square

Dörtlü yatay dönüş (Kare) - Ответвитель горизонтальный X-образный, глухой



TRX

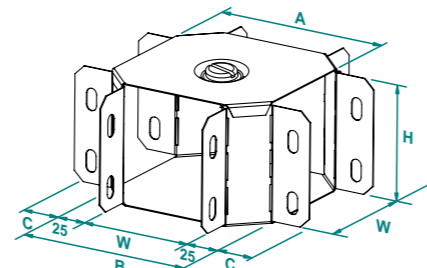
TSX

Important

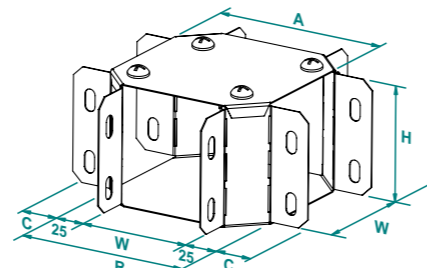
To install cable tray - straight use Screw sets CFS M6 or M8

QUICK FIXING TYPE	SCREWED FIXING TYPE	W Width (mm)	A (mm)	B (mm)	C (mm)	T Thickness (mm)	F Finish
CODE	CODE						
TRX	TSX	50	120	35	35	0,8 mm	PG
		75	145	35	35		
		100	170	35	35		
		150	220	35	35		
		200	270	35	35		
		225	295	35	35		
		250	320	35	35		
		300	370	35	35		
400	470	35	35	1,0 mm	HDG		
						1,2 mm	EPOXY
						1,5 mm	SS304
						2,0 mm	AL

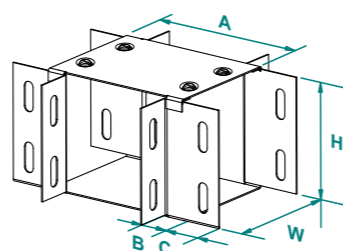
TRXG



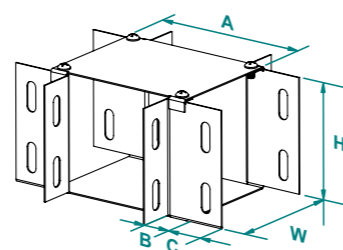
TSXG



TRX



TSX



APPLICATIONS

Cable routing

MATERIAL

Steel, strip-galv.acc. to the sendzimir method to TSE-EN 10346:2011 (PG)

Available finishes:

HDG-steel, hot-dip galv. to TSE-EN ISO 1461:2011(HDG)
SS-Stainless steel AISI 304L and AISI316L (SS)
EP-Powder coating in a full range of colours (RAL)

Thickn. (ga) [mm]: **0.8 1.0 1.2 1.5 2.0**

Cable Trunking Systems



Change Faces Left Hand

Trunking Yüz değiştirme (sol) - Разворот плоскости левый, глухой



TRYDL

TSYDL

Important

To install cable tray - straight use Screw sets CFS M6 or M8

Change faces cannot be used with multi-compartment trunking!

QUICK FIXING TYPE	SCREWED FIXING TYPE	W Width (mm)	Length (mm)
CODE	CODE		
TRYDL	TSYDL	50	200
		75	225
		100	250
		150	300
		200	350
		225	375
		250	400
		300	450

Change Faces Right Hand

Trunking Yüz değiştirme - (sağ) - Разворот плоскости правый, глухой



TRYDR

TSYDR

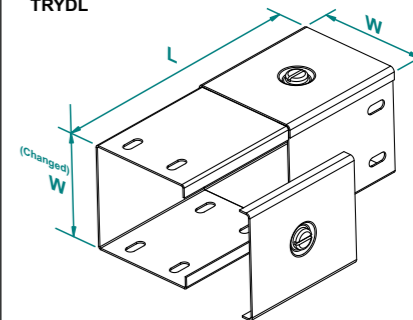
Important

To install cable tray - straight use Screw sets CFS M6 or M8

Change faces cannot be used with multi-compartment trunking!

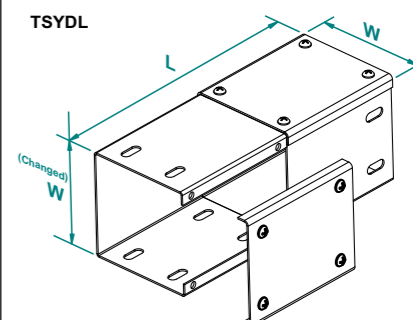
QUICK FIXING TYPE	SCREWED FIXING TYPE	W Width (mm)	Length (mm)
CODE	CODE		
TRYDR	TSYDR	50	200
		75	225
		100	250
		150	300
		200	350
		225	375
		250	400
		300	450

TRYDL

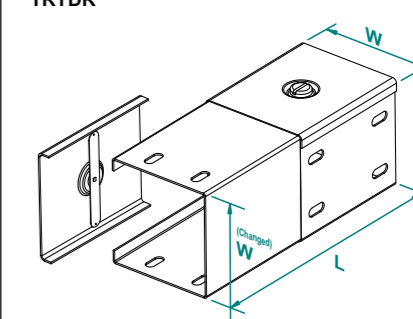


Change faces cannot be used with multi-compartment trunking!

TSYDL

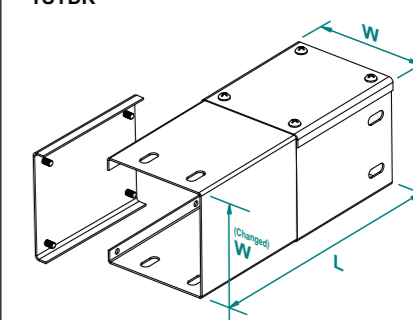


TRYDR



Change faces cannot be used with multi-compartment trunking!

TSYDR



APPLICATIONS

Cable routing

MATERIAL

Steel, strip-galv.acc. to the sendzimir method to TSE-EN 10346:2011 (PG)

Available finishes:

HDG-steel, hot-dip galv. to TSE-EN ISO 1461:2011(HDG)
SS-Stainless steel AISI 304L and AISI316L (SS)
EP-Powder coating in a full range of colours (RAL)

Thickn. (ga) [mm]: **0.8 1.0 1.2 1.5 2.0**

Cable Trunking Systems



Horizontal Offset Right

Yatay Seviye Değişirme (Sağ) - Горизонтальное смещение вправо



Important

To install cable tray - straight use Screw sets CFS M6 or M8

QUICK FIXING TYPE	SCREWED FIXING TYPE	T Thickness (mm)	F Finish
CODE	CODE		
TRHOR	TSHOR	0,8 mm 1,0 mm 1,2 mm 1,5 mm 2,0 mm	PG HDG EPOXY SS304 AL

Horizontal Offset Left

Yatay Seviye Değişirme (Sol) - Горизонтальное смещение влево



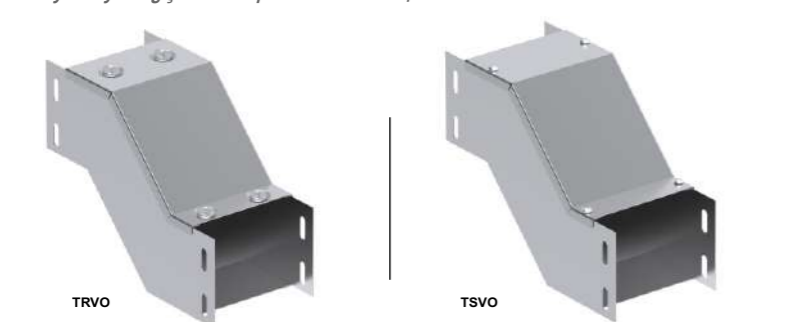
Important

To install cable tray - straight use Screw sets CFS M6 or M8

QUICK FIXING TYPE	SCREWED FIXING TYPE	T Thickness (mm)	F Finish
CODE	CODE		
TRHOL	TSHOL	0,8 mm 1,0 mm 1,2 mm 1,5 mm 2,0 mm	PG HDG EPOXY SS304 AL

Vertical Offset

Dikey Seviye Değişirme - Вертикальное смещение



QUICK FIXING TYPE	SCREWED FIXING TYPE	T Thickness (mm)	F Finish
CODE	CODE		
TRVO	TSVO	0,8 mm 1,0 mm 1,2 mm 1,5 mm 2,0 mm	PG HDG EPOXY SS304 AL

Cable Trunking Systems



Straight Connector

Düz Birleştirme Elemanı - Соединительная пластина, прямая



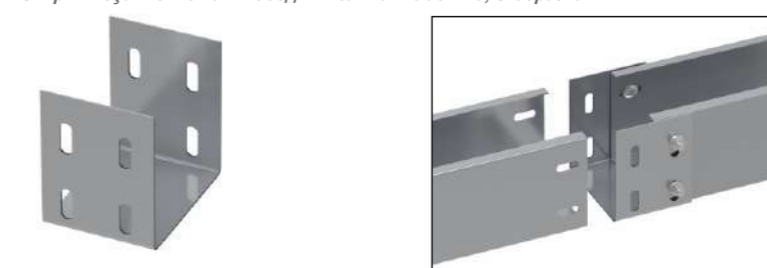
Important

To install cable tray - straight use Screw sets CFS M6 or M8

CODE	Height	T Thickness (mm)	F Finish
TRBE	50	1,2 mm 1,5 mm 2,0 mm	PG HDG EPOXY SS304 AL
	75		
	100		
	150		
	225		
	250		
300	400		

U Type Connector

U Tipi Birleştirme Elemanı - Соединительная пластина, U-образная



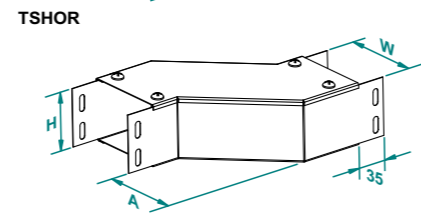
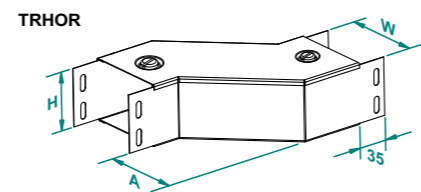
CODE	Height	T Thickness (mm)	F Finish
TRBU	50	1,2 mm 1,5 mm 2,0 mm	PG HDG EPOXY SS304 AL
	75		
	100		
	150		
	225		
	250		
300			

Fitting Adapter

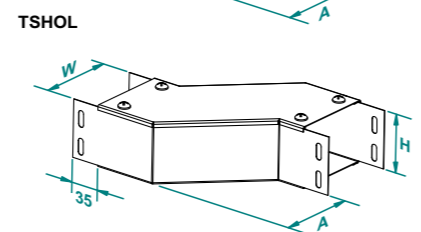
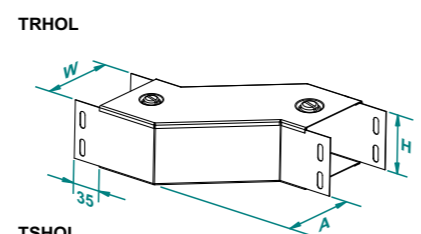
Dönüş Birleştirme Elemanı - Соединитель углов



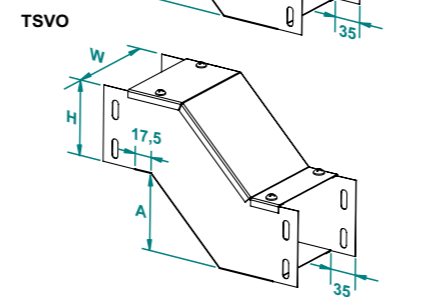
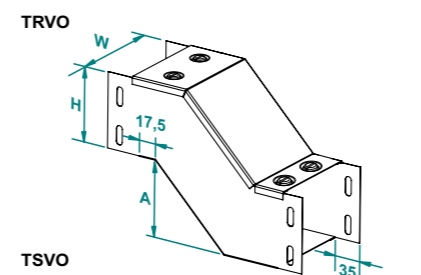
QUICK FIXING TYPE	SCREWED FIXING TYPE	Height	T Thickness (mm)	F Finish
CODE	CODE			
TRDB	TSDB	50	1,2 mm 1,5 mm 2,0 mm	PG HDG EPOXY SS304 AL
		75		
		100		
		150		
		225		
		250		
300				



Please state "A" dimension



Please state "A" dimension



Please state "A" dimension

APPLICATIONS

Cable routing

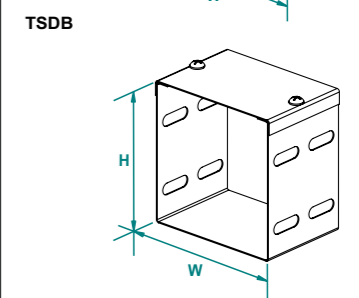
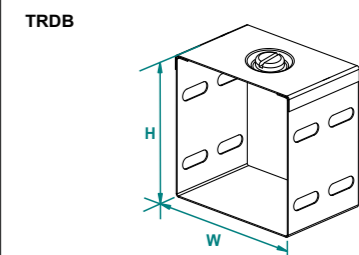
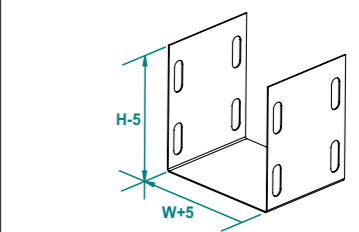
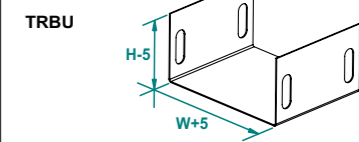
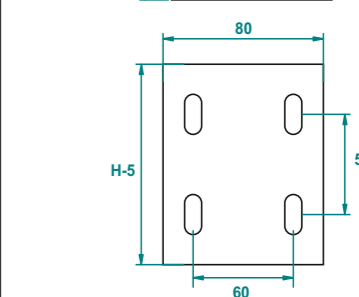
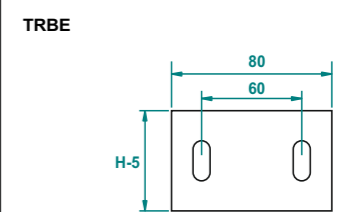
MATERIAL

Steel, strip-galv.acc. to the sendzimir method to TSE-EN 10346:2011 (PG)

Available finishes:

HDG-steel, hot-dip galv. to TSE-EN ISO 1461:2011(HDG)
SS-Stainless steel AISI 304L and AISI316L (SS)
EP-Powder coating in a full range of colours (RAL)

Thickn. (ga) [mm]: 0.8 1.0 1.2 1.5 2.0



APPLICATIONS

Cable routing

MATERIAL

Steel, strip-galv.acc. to the sendzimir method to TSE-EN 10346:2011 (PG)

Available finishes:

HDG-steel, hot-dip galv. to TSE-EN ISO 1461:2011(HDG)
SS-Stainless steel AISI 304L and AISI316L (SS)
EP-Powder coating in a full range of colours (RAL)

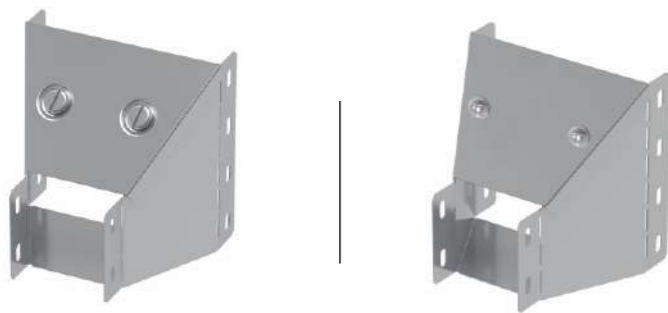
Thickn. (ga) [mm]: 0.8 1.0 1.2 1.5 2.0

Cable Trunking Systems



Reducer - Quick Fix

Trunking Redüksiyonu - Редукция



TRRED

TSRED

Important

To install cable tray - straight use Screw sets CFS M6 or M8

QUICK FIXING TYPE	SCREWED FIXING TYPE	Reduction	
CODE	CODE	W1-H1	W2-H2
TRRED	TSRED	W1-H1	W2-H2

Bellmouth

Trunking Dağıtım kutusuna giriş aparatı - Соединительный фланец



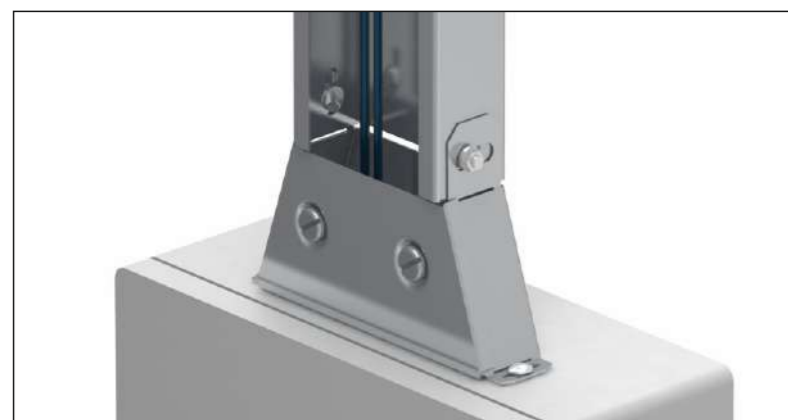
TRBM

TSBM

Important

To install cable tray - straight use Screw sets CFS M6 or M8

QUICK FIXING TYPE	SCREWED FIXING TYPE	W	A	B	C	T	F
CODE	CODE	Width (mm)	(mm)	(mm)	(mm)	Thickness (mm)	Finish
TRBM	TSBM	50	100	25	35	0,8 mm 1,0 mm 1,2 mm 1,5 mm 2,0 mm	PG HDG EPOXY SS304 AL
		75	125	25	35		
		100	150	25	35		
		150	200	25	35		
		200	250	25	35		
		225	275	25	35		
		250	300	25	35		
		300	350	25	35		
400	450	25	35				

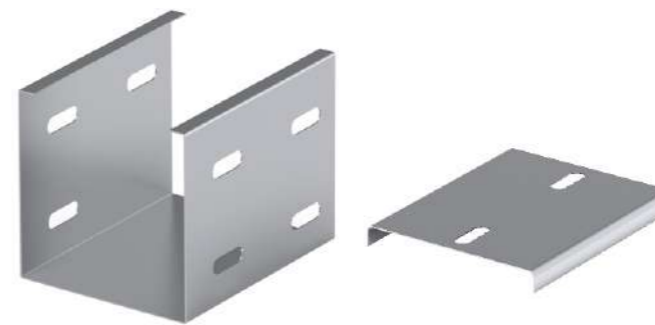


Cable Trunking Systems



Expansion Couplers

Uzatma Ek Elemanı - Соединительная пластина на расстоянии



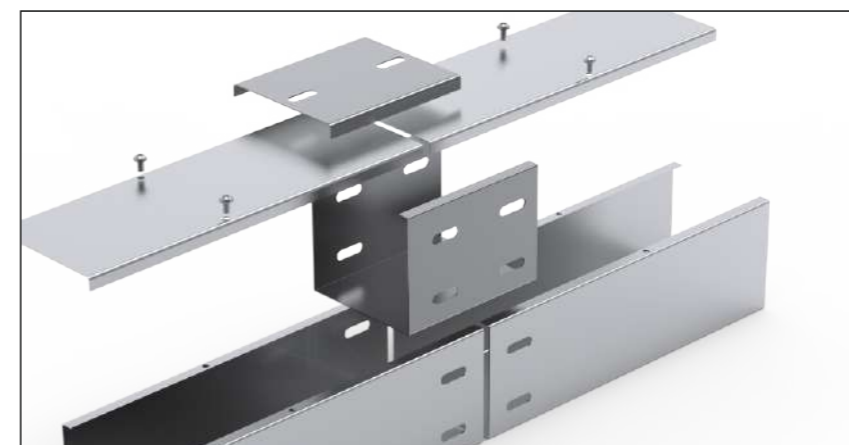
TREC

LID OF TREC

SCREWED FIXING TYPE	T	F
CODE	Thickness (mm)	Finish
TREC	1,2 mm 1,5 mm 2,0 mm	PG HDG EPOXY SS304 AL

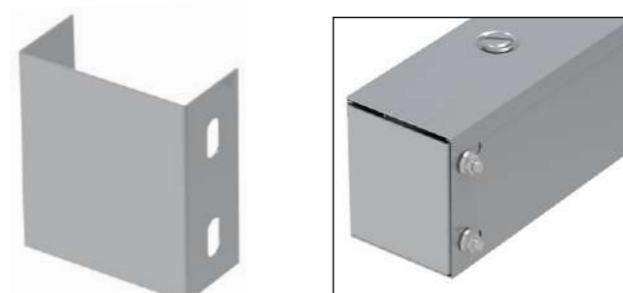
Method of Operation:

Expansion couplers consist of two parts: outer slide body and shrouding cover. Fit trunking into expansion coupler and secure with screws, nut and washer, ensuring earth lead is securely fitted under connecting point. Fit outer shrouded cover to one of the main trunking lids using self tapping screws.



Stop End (Blind End)

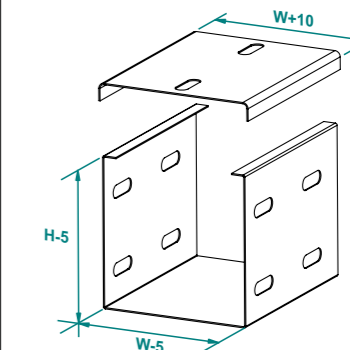
Sonlandırma - Зарпушка



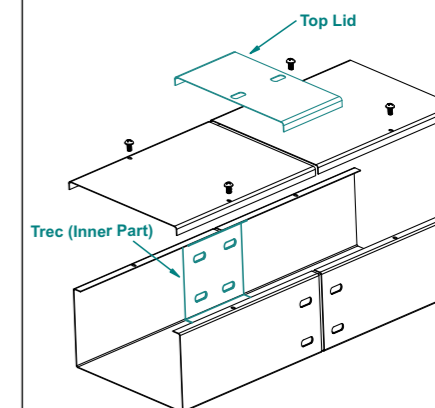
TSON

FOR QUICK FIXING TYPE & SCREWED FIXING TYPE	H	T	F
CODE	Height (mm)	Thickness (mm)	Finish
TSON	50	1,2 mm 1,5 mm 2,0 mm	PG HDG EPOXY SS304 AL
	75		
	100		
	150		
	225		
	300		
	250		
300			

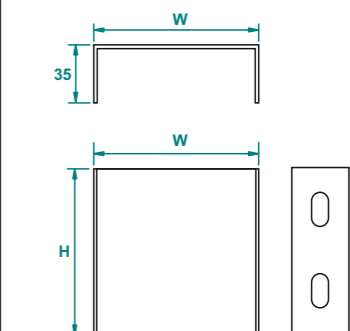
TREC



Usage Method (Placement):



TSON



APPLICATIONS

Cable routing

MATERIAL

Steel, strip-galv.acc. to the sendzimir method to TSE-EN 10346:2011 (PG)

Available finishes:

HDG-steel, hot-dip galv. to TSE-EN ISO 1461:2011(HDG)
SS-Stainless steel AISI 304L and AISI316L (SS)
EP-Powder coating in a full range of colours (RAL)

Thickn. (ga) [mm]: 0,8 1,0 1,2 1,5 2,0

Cable Trunking Systems



Pin Racks

Pim Raf - Разделитель кабеля



Method of Operation:

Available for trunking upto 150mm wide
Cables are laid into trunking systems and are pulled through duct systems.
In both cases there is usually no need for any type of cleat or clamp unless there are vertical runs.
Where vertical runs are required, wiring regulations give the necessary guidance on spacing of cable supports, known as 'pin racks'. Ordered according to the size of the trunking for single compartment trunking, or for size of each compartment for multi-compartment trunking

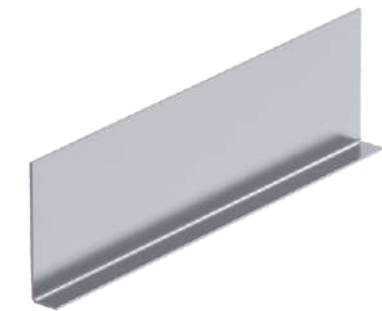
M6X12 Bolt & Nut

M6X12 Civata & Somun - M6x12 Болт и гайка



Loose Seperator

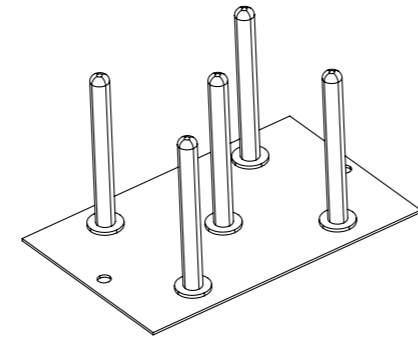
Deliksiz Seperator - Перегородка



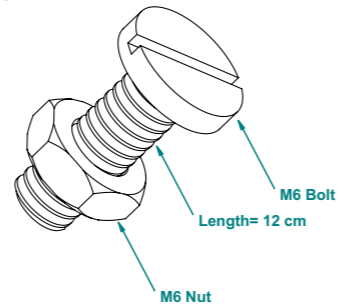
Important
Fastening not supplied. Pop rivet or spot weld on site to suit

QUICK FIXING TYPE	H Height (mm)	T Thickness (mm)	F Finish
TRSEP	50	0,8 mm	PG
	75		
	100		
	150		
	225		
	300		
	250		
300	1,0 mm	HDG	
	1,2 mm	EPOXY	
	1,5 mm	SS304	
	2,0 mm	AL	

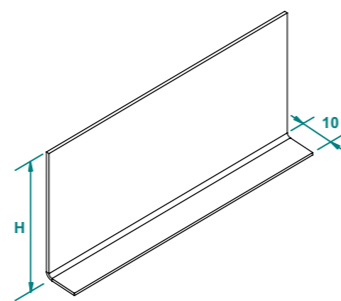
TRPIN



TCS M6



TRSEP



APPLICATIONS
Cable routing

MATERIAL
Steel, strip-galv.acc. to the sendzimir method to TSE-EN 10346:2011 (PG)

Available finishes:
HDG-steel, hot-dip galv. to TSE-EN ISO 1461:2011(HDG)
SS-Stainless steel AISI 304L and AISI316L (SS)
EP-Powder coating in a full range of colours (RAL)

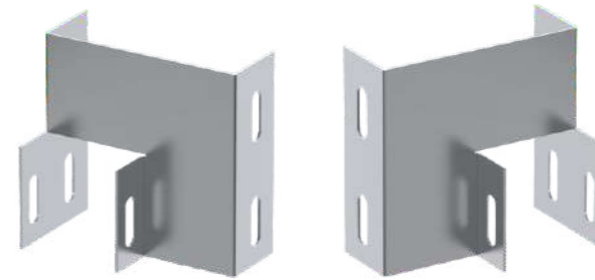
Thickn. (ga) [mm]: **0.8 1.0 1.2 1.5 2.0**

Cable Trunking Systems



Trunking Size Reducer

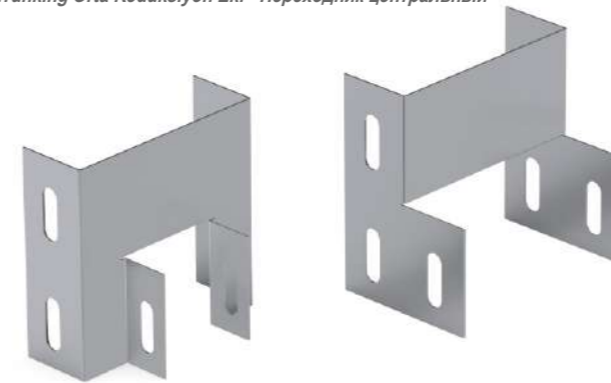
Trunking Reduksiyon Eki - Редукционная пластина



TRGS	TRLS	T Thickness (mm)	F Finish
TRGS	TRLS	1,5 mm 2,0 mm	PG HDG EPOXY SS304 AL

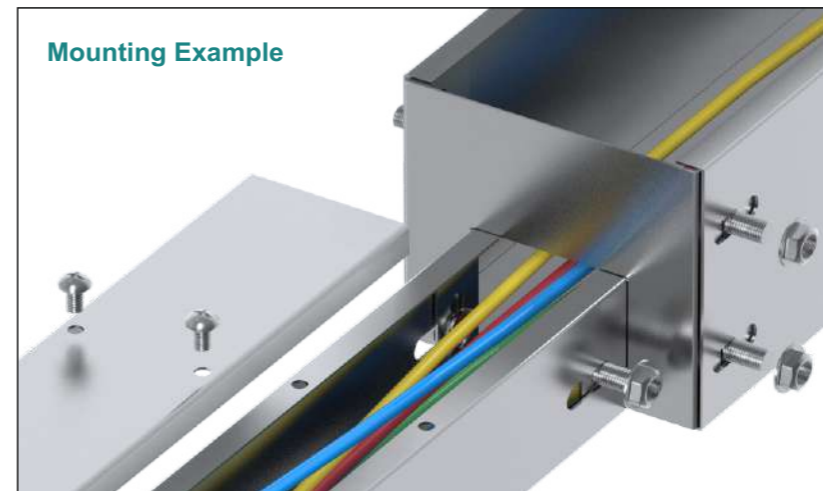
Trunking Size Reducer

Trunking Orta Reduksiyon Eki - Переходник центральный

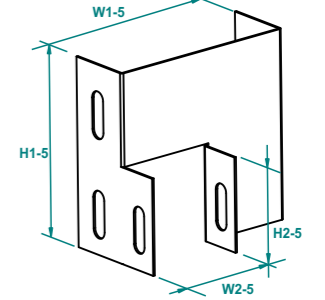


SCREWED FIXING TYPE	T Thickness (mm)	F Finish
CODE	0,8 mm 1,0 mm 1,2 mm 1,5 mm 2,0 mm	PG HDG EPOXY SS304 AL
TROS		

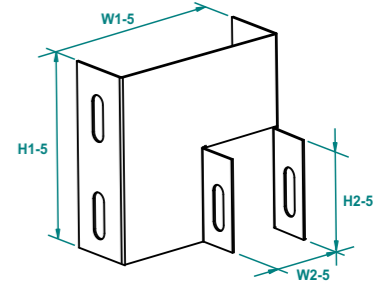
Mounting Example



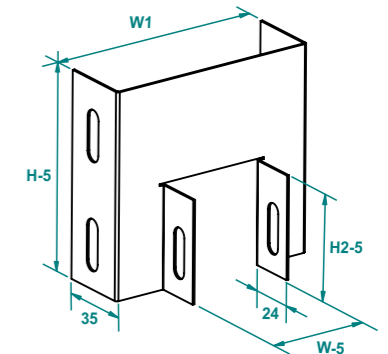
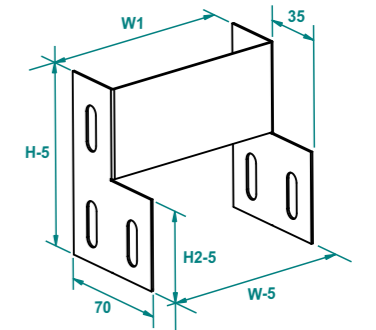
TRGS



TRLS



TROS



APPLICATIONS
Cable routing

MATERIAL
Steel, strip-galv.acc. to the sendzimir method to TSE-EN 10346:2011 (PG)

Available finishes:
HDG-steel, hot-dip galv. to TSE-EN ISO 1461:2011(HDG)
SS-Stainless steel AISI 304L and AISI316L (SS)
EP-Powder coating in a full range of colours (RAL)

Thickn. (ga) [mm]: **0.8 1.0 1.2 1.5 2.0**

Cable Trunking Systems

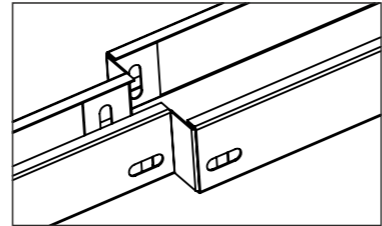
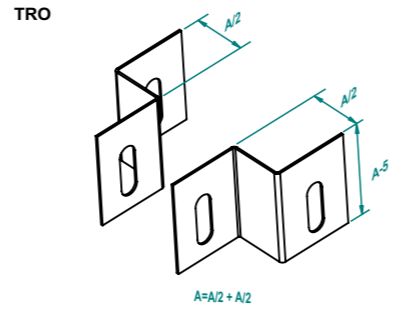


Trunking Reducer Connector

Trunking Redüksiyon Eki - Редукционная пластина



CODE	T Thickness (mm)	F Finish
TRO	1,2 mm	PG
	1,5 mm	HDG
	2,0 mm	HDG EPOXY SS304 AL

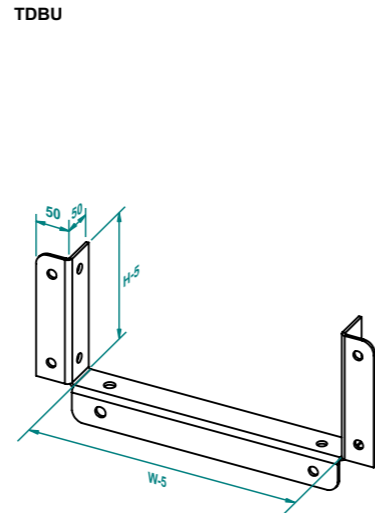


Wall Flange Connector

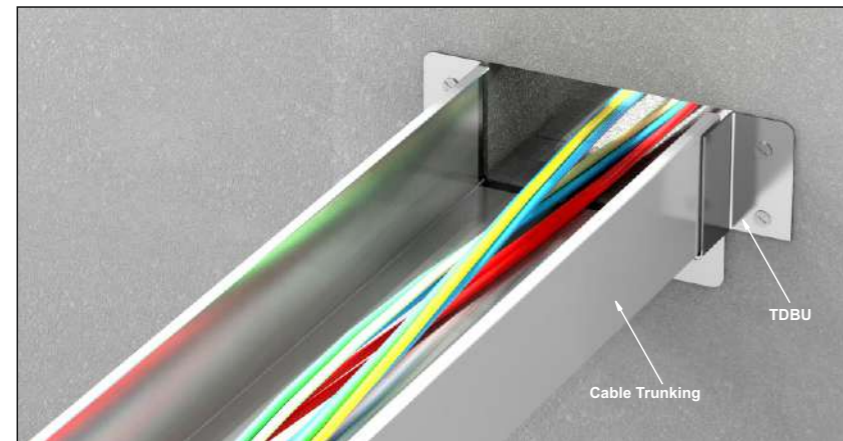
Trunking Duvar birleştirme (U tipi) - Соединительный фланец, U-образный



CODE	T Thickness (mm)	H Height	F Finish
TDBU	1,2 mm 1,5 mm	50	PG HDG EPOXY SS304 AL
		75	
		100	
		150	
		225	
		300	



Mounting Example



APPLICATIONS
Cable routing

MATERIAL
Steel, strip-galv.acc. to the sendzimir method to TSE-EN 10346:2011 (PG)

Available finishes:
HDG-steel, hot-dip galv. to TSE-EN ISO 1461:2011(HDG)
SS-Stainless steel AISI 304L and AISI316L (SS)
EP-Powder coating in a full range of colours (RAL)

Thickn. (ga) [mm]: **0.8 1.0 1.2 1.5 2.0**

