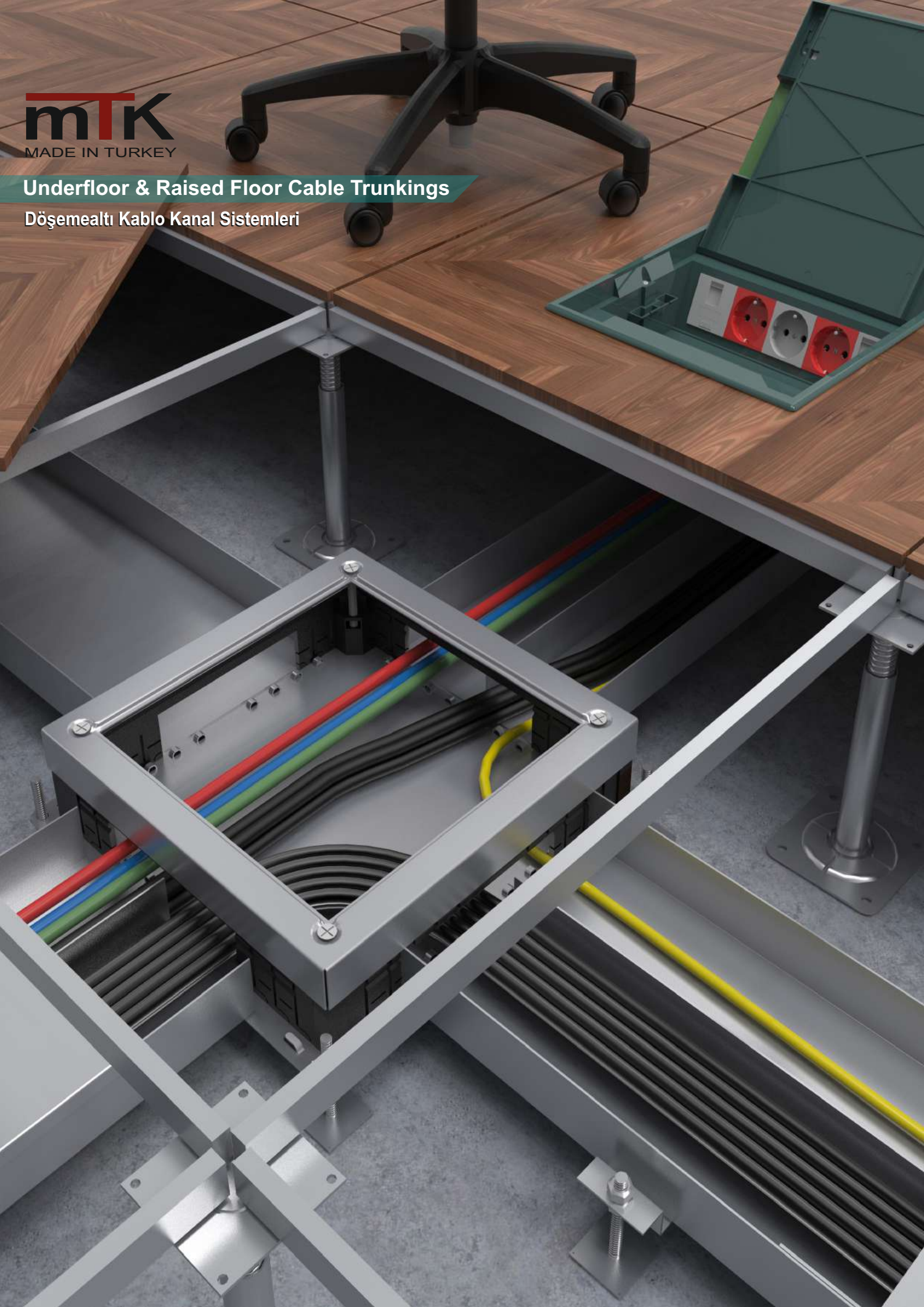


MTK
MADE IN TURKEY

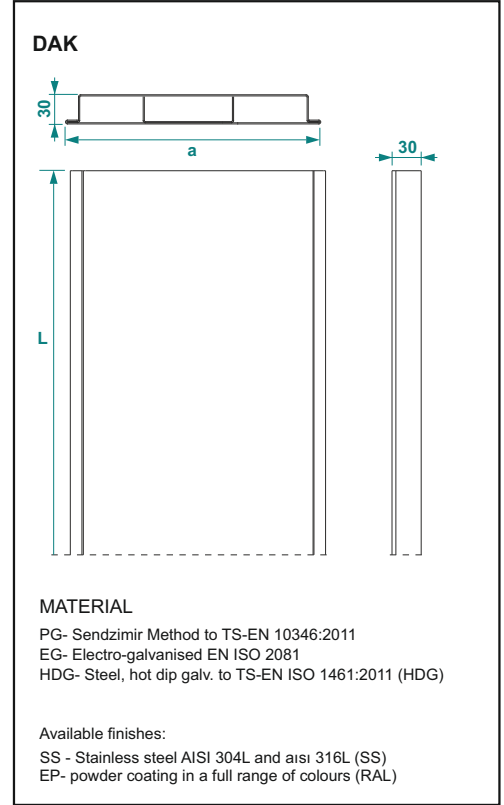
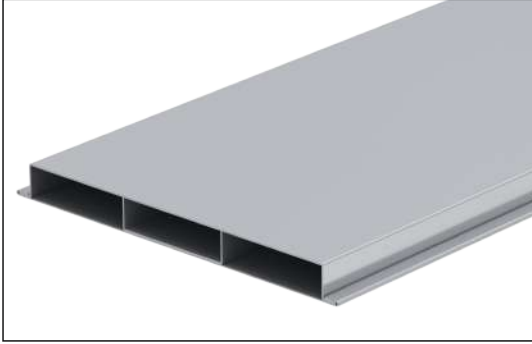
Underfloor & Raised Floor Cable Trunkings

Döşemealtı Kablo Kanal Sistemleri



Underfloor Cable Trays

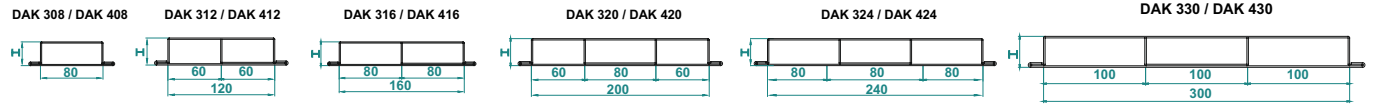
Şap altı Kablo Kanalları



Pre-Galvanized

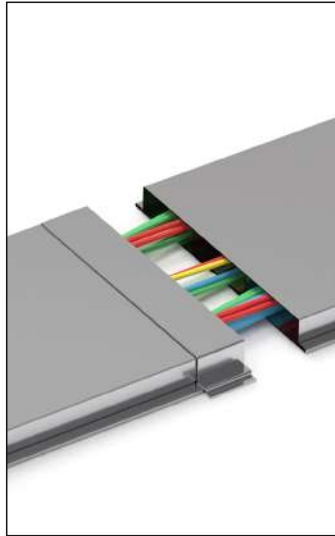
DAK	PG		1.2mm		
CODE	Height H mm	Width W mm	Length L mm	kg 1 pc	pcs
DAK 308 12 PG	30	80	3000	2,562	1
DAK 312 12 PG	30	120	3000	3,724	1
DAK 316 12 PG	30	160	3000	4,473	1
DAK 320 12 PG	30	200	3000	5,540	1
DAK 324 12 PG	30	240	3000	6,333	1
DAK 330 12 PG	30	300	3000	7,480	1
DAK 408 12 PG	40	80	3000	2,751	1
DAK 412 12 PG	40	120	3000	4,092	1
DAK 416 12 PG	40	160	3000	4,841	1
DAK 420 12 PG	40	200	3000	6,105	1
DAK 424 12 PG	40	240	3000	6,896	1
DAK 430 12 PG	40	300	3000	7,680	1

Standard compartment explanation related on size / Ebatı Göre Standart Kompartman Bilgisi



Straight Connector (Underfloor)

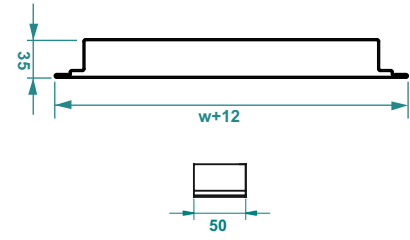
Birleştirme Elemanı



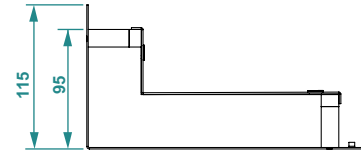
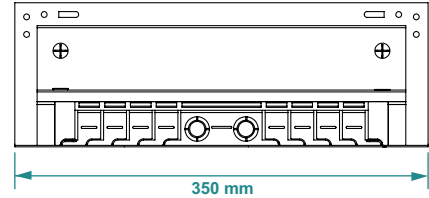
Pre-Galvanized

DAB		PG		1.2mm	
CODE	Height H mm	Width W mm	kg 1 pc	pcs	
DAB 308 12 PG	30	80	0,150	1	
DAB 312 12 PG	30	120	0,186	1	
DAB 316 12 PG	30	160	0,226	1	
DAB 320 12 PG	30	200	0,264	1	
DAB 324 12 PG	30	240	0,300	1	
DAB 330 12 PG	30	300	0,380	1	
DAB 408 12 PG	30	80	0,160	1	
DAB 412 12 PG	30	120	0,196	1	
DAB 416 12 PG	30	160	0,234	1	
DAB 420 12 PG	30	200	0,276	1	
DAB 424 12 PG	30	240	0,310	1	
DAK 430 12 PG	30	300	0,390	1	

DAB



DA90



Vertical Bend (Underfloor)

Dikey Dönüş Elemanı (İç Bükey)



Pre-Galvanized

DA90 BUAT		PG		1.2mm	
CODE	Size mm	Height H mm	kg 1 pc	pcs	
DA90 BUAT PG	235x350	120	1,600	1	

Stop End (Underfloor)

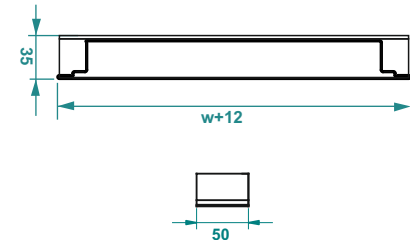
Sonlandırma



Pre-Galvanized

DAS		PG		1.2mm	
CODE	Height H mm	Weight W mm	kg 1 pc	pcs	
DAS 308 12 PG	30	80	0,188	1	
DAS 312 12 PG	30	120	0,243	1	
DAS 316 12 PG	30	160	0,301	1	
DAS 320 12 PG	30	200	0,358	1	
DAS 324 12 PG	30	240	0,413	1	
DAS 330 12 PG	30	300	0,480	1	
DAS 408 12 PG	30	80	0,205	1	
DAS 412 12 PG	30	120	0,264	1	
DAS 416 12 PG	30	160	0,324	1	
DAS 420 12 PG	30	200	0,389	1	
DAS 424 12 PG	30	240	0,446	1	
DAS 430 12 PG	30	300	0,520	1	

DAS



MATERIAL

PG- Sendzimir Method to TS-EN 10346:2011
EG- Electro-galvanized EN ISO 2081
HDG- Steel, hot dip galv. to TS-EN ISO 1461:2011 (HDG)

Available finishes:

SS - Stainless steel AISI 304L and aisi 316L (SS)
EP- powder coating in a full range of colours (RAL)

Underfloor Cable Trays



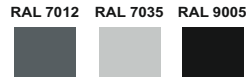
Junction Box (4 Modules + 2 Keystone Jack)

Şap altı Priz Kasası Buatı



Important

To perform the assembly, gap diameter of the installation hole should be 118 mm and area depth should be minimum 62 mm.



GRO 2

CODE	Socket Place 45x45+22x45	RAL Colours	kg 1 pc	pcs
GRO 2 G	2+2	RAL 7012	0,190	1
GRO 2 B	2+2	RAL 7035	0,190	1
GRO 2 S	2+2	RAL 9005	0,190	1

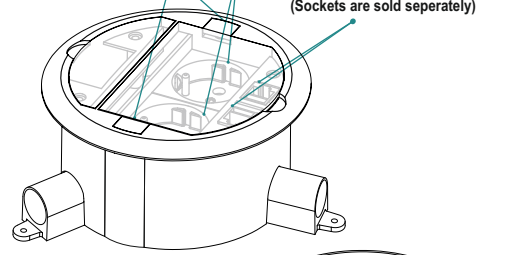


GRO 2

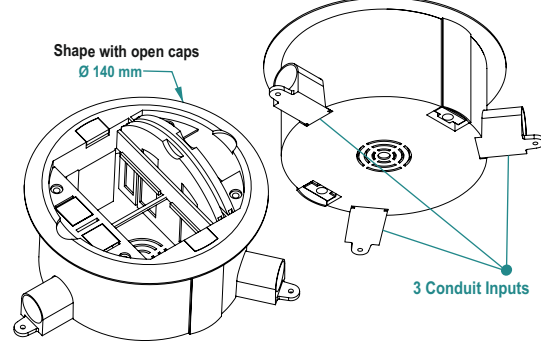
Shape with closed caps
Screw Hiders

2 Electric Socket Comp.
(Sockets are sold separately)

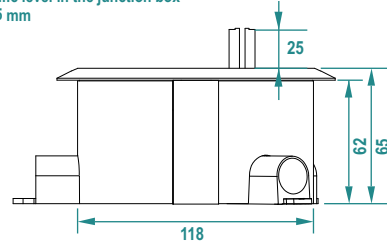
2 Data Socket Comp. (CAT)
(Sockets are sold separately)



Shape with open caps
Ø 140 mm



The caps may be hidden up to a specific level in the junction box
• Min: 25 mm

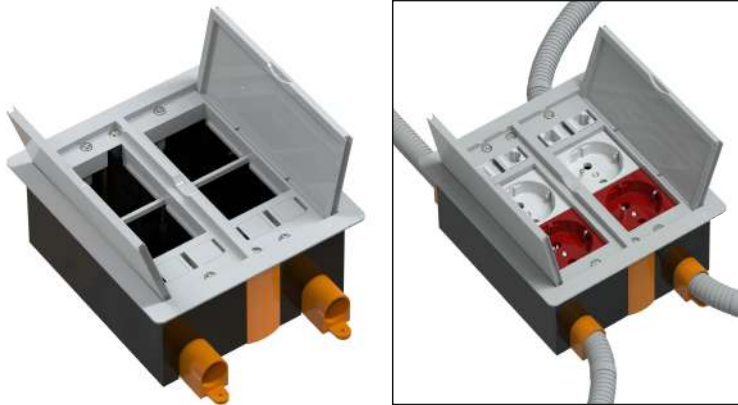


Sockets are used without socket covers in GRO 2 combinations.

GRO 2, includes 2 pieces of electric socket compartments, 2 piece of data socket compartments and 3 conduit inputs (Ø14 x Ø18)

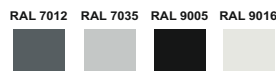
Junction Box (8 Modules + 2 Keystone Jack)

Şap altı Priz Kasası



Important

To perform the assembly, gap distance of the installation hole should be 143x131 mm and area depth should be minimum 62 mm



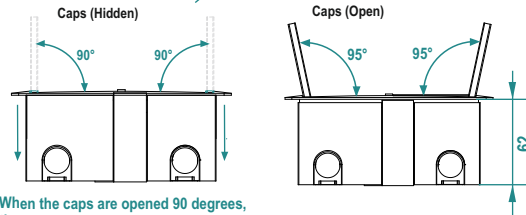
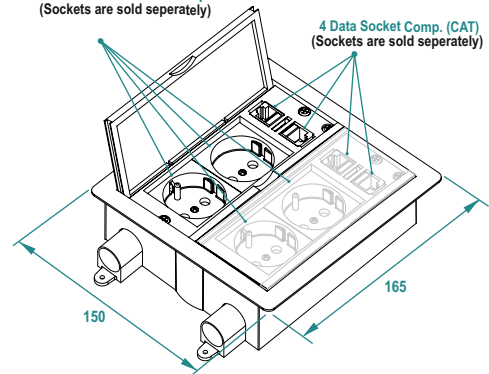
BUAT 15 4

CODE	Socket Place 45x45+22x45	RAL Colours	kg 1 pc	pcs
BUAT 15 4	4+4	RAL 7012	0,280	1
BUAT 15 4 G	4+4	RAL 7035	0,280	1
BUAT 15 4 S	4+4	RAL 9005	0,280	1
BUAT 15 4 B	4+4	RAL 9016	0,280	1

BUAT 15 4

4 Electric Socket Comp.
(Sockets are sold separately)

4 Data Socket Comp. (CAT)
(Sockets are sold separately)



When the caps are opened 90 degrees, the caps will be hidden in junction box.

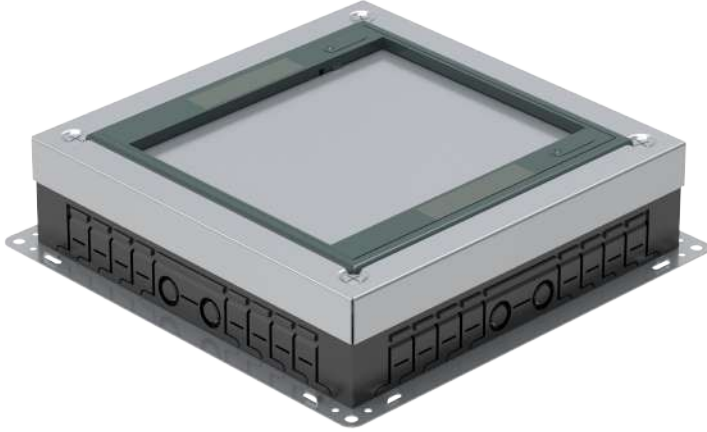
Sockets are used without socket covers in BUAT 15 4 combinations.

BUAT 15 4, includes 4 pieces of electric socket compartments, 4 piece of data socket compartments and 4 conduit inputs (Ø14 x Ø18). 2 socket holders exist side by side in the junction box.

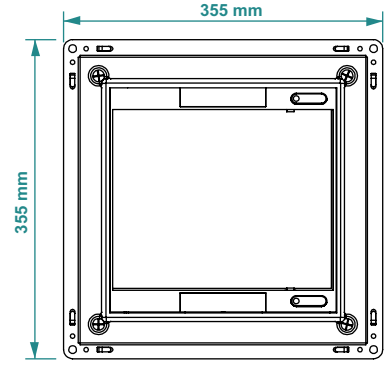
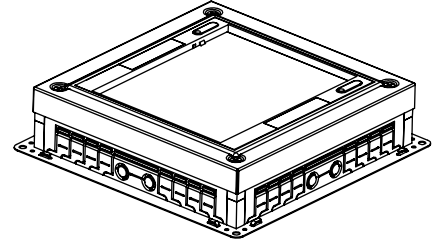
Material: PA6, Flame Retardant & Halogen

Junction Box (18 Modules)

Dağıtım Buatı (18 Modül)



BUAT



MATERIAL

PG- Sendzimir Method to TS-EN 10346:2011
Material: PA6, Flame Retardant & Halogen

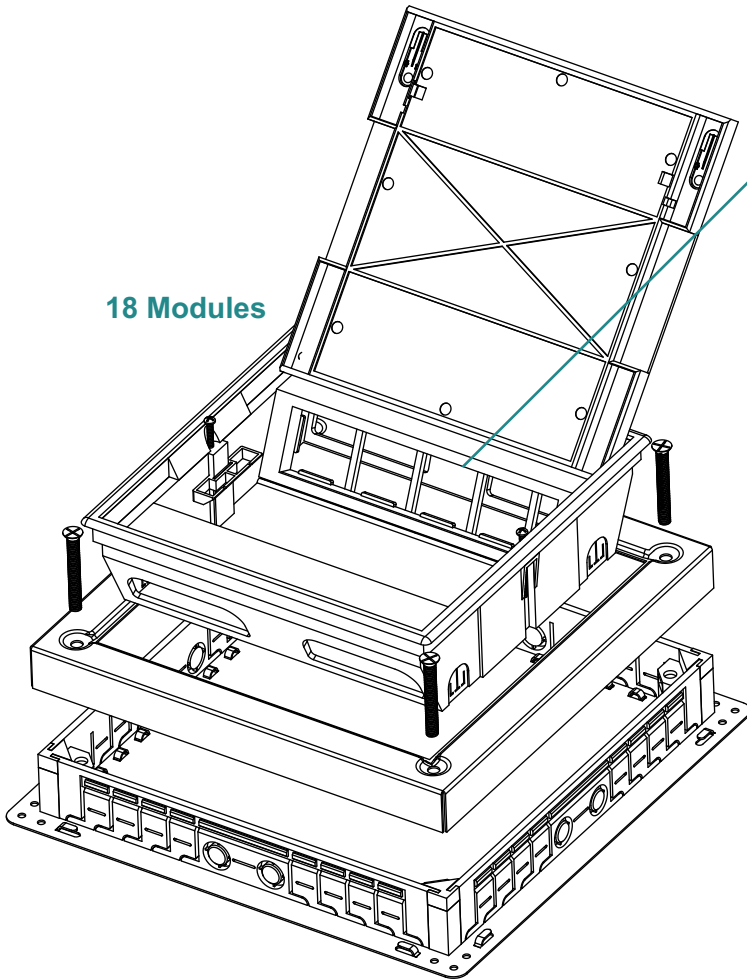
BUAT

CODE	Height H mm	Socket Place mm	kg 1 pc	pcs
BUAT 35 8	65-90	8+2	3,0	1

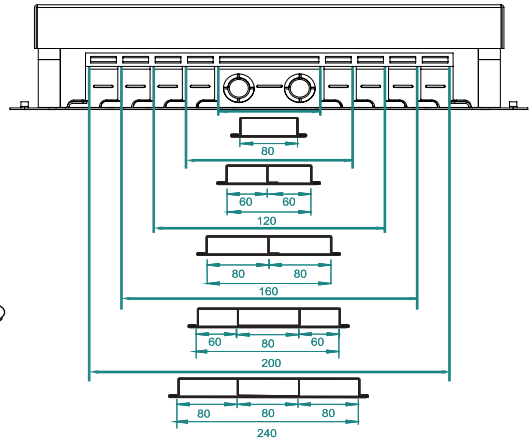
Electrical Junction Box + Socket Case + Sockets / Common Usage

Döşeme Altı Boş Buat + Priz Kasası + Prizler / Ortak Kullanım

18 Modules



Sockets are sold seperately



Empty Junction Boxes

Boş Buat Kutusu



DBB				
CODE	Height H mm	Size mm	kg	pcs
DBB 35 8	65	350x350	1,9	1

DBB

MATERIAL
PG- Sendzimir Method to TS-EN 10346:2011
Material: PA6, Flame Retardant & Halogen

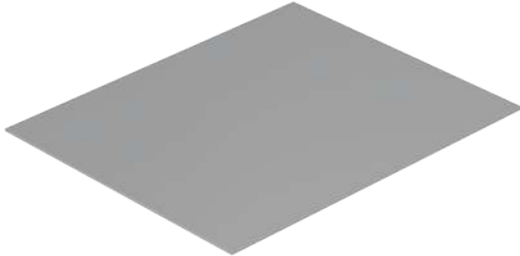
DBK

DBK 35 8

EG- Electro-galvanised EN ISO 2081

Metal Cover

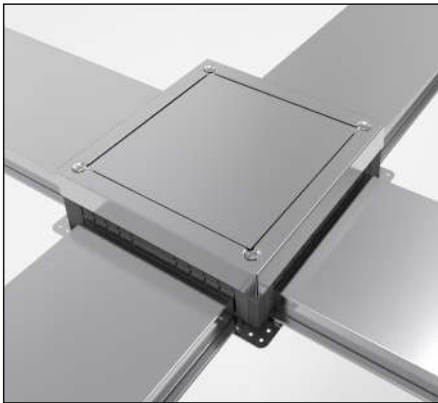
Buat Kapağı



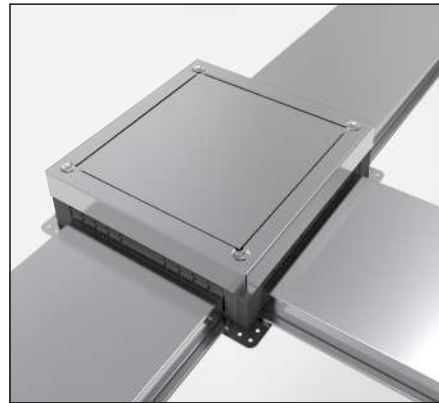
DBK			
CODE	Thickness T mm	kg	pcs
DBK 35 8	1,5	0,83	1

Electrical Junction Box / Usage Methods

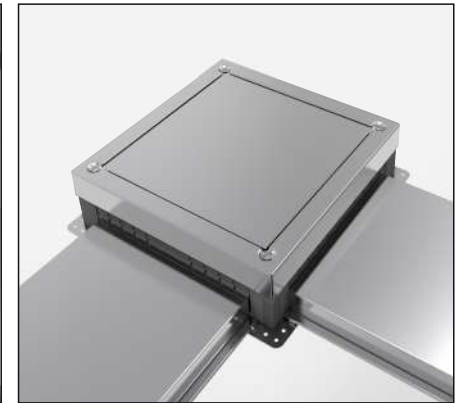
Cross Shaped Usage Method



T Shaped Usage Method



90 degree Usage Method



Raised Floor / Cavity Floor Trunkings - RFS Series

Yükseltmiş Döşemealtı Kablo Kanalları -



Pre-Galvanized

RFS		PG		
CODE	Height H mm	Width W mm	kg 1 pc	pcs
RFS 510 10 PG	50	100	2,75	1
RFS 515 10 PG	50	150	3,53	1
RFS 520 10 PG	50	200	4,32	1
RFS 525 12 PG	50	250	5,68	1
RFS 530 12 PG	50	300	6,55	1
RFS 540 12 PG	50	400	8,27	1
RFS 545 12 PG	50	500	9,14	1

MULTI COMPONENT TRUNKINGS MODEL NUMBER

Size / Ebat	2 Comp. / 2 Bölüm	3 Comp. / 3 Bölüm	4 Comp. / 4 Bölüm
100x50	RFS 510.2	RFS 510.3	RFS 510.4
150x50	RFS 515.2	RFS 515.3	RFS 515.4
200x50	RFS 520.2	RFS 520.3	RFS 520.4
300x50	RFS 530.2	RFS 530.3	RFS 530.4
400x50	RFS 540.2	RFS 540.3	RFS 540.4
450x50	RFS 545.2	RFS 545.3	RFS 545.4

Straight Connector

Birleştirme Elemanı



Pre-Galvanized

KBE		PG		
CODE	Height H mm	Length L mm	kg 1 pc	pcs
KBE 250 12 PG	50	130	0,70	1

90° Horizontal Bend

90° Yatay Dönüş



Pre-Galvanized

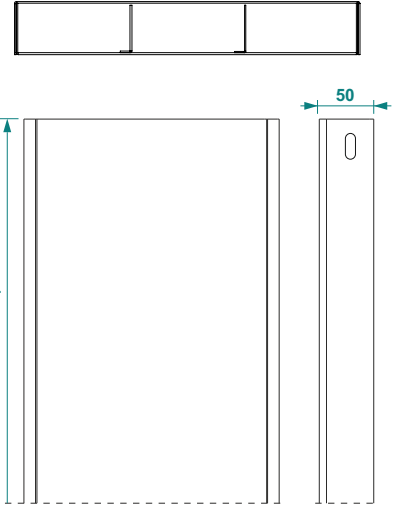
RF90		PG		
CODE	Height H mm	Width W mm	kg 1 pc	pcs
RF90 510 10 PG	50	100	0,89	1
RF90 515 10 PG	50	150	1,24	1
RF90 520 10 PG	50	200	1,66	1
RF90 525 12 PG	50	250	2,43	1
RF90 530 12 PG	50	300	3,08	1
RF90 540 12 PG	50	400	4,62	1
RF90 545 12 PG	50	500	5,52	1

MULTI COMPONENT TRUNKINGS MODEL NUMBER

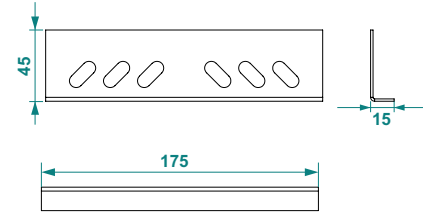
Size / Ebat	2 Comp. / 2 Bölüm	3 Comp. / 3 Bölüm	4 Comp. / 4 Bölüm
100x50	RF90 510.2	RF90 510.3	RF90 510.4
150x50	RF90 515.2	RF90 515.3	RF90 515.4
200x50	RF90 520.2	RF90 520.3	RF90 520.4
300x50	RF90 530.2	RF90 530.3	RF90 530.4
400x50	RF90 540.2	RF90 540.3	RF90 540.4
450x50	RF90 545.2	RF90 545.3	RF90 545.4



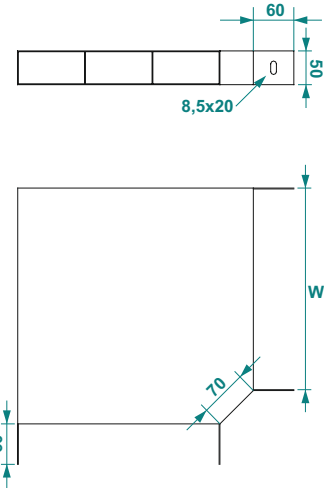
RFS



KBE 250



RF90



MATERIAL

PG- Sendzimir Method to TS-EN 10346:2011
EG- Electro-galvanised EN ISO 2081
HDG- Steel, hot dip galv. to TS-EN ISO 1461:2011 (HDG)

Available finishes:

SS - Stainless steel AISI 304L and aisi 316L (SS)
EP- powder coating in a full range of colours (RAL)

"T" Horizontal Bend "T" Yatay Dönüş



Pre-Galvanized

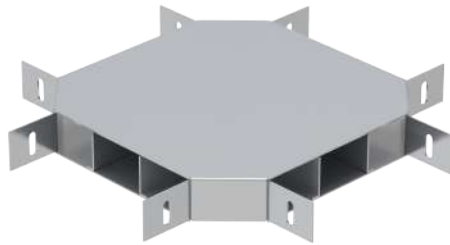
RTF		PG			
CODE	Height H mm	Width W mm	KG 1 pc	pcs	
RTF 510 10 PG	50	100	1,11	1	
RTF 515 10 PG	50	150	1,46	1	
RTF 520 10 PG	50	200	1,89	1	
RTF 525 12 PG	50	250	2,70	1	
RTF 530 12 PG	50	300	3,34	1	
RTF 540 12 PG	50	400	4,89	1	
RTF 545 12 PG	50	500	5,80	1	

MULTI COMPONENT TRUNKINGS MODEL NUMBER

Size / Ebat	2 Comp. / 2 Bölüm	3 Comp. / 3 Bölüm	4 Comp. / 4 Bölüm
100x50	RTF 510.2	RFT 510.3	RFT 510.4
150x50	RTF 515.2	RFT 515.3	RFT 515.4
200x50	RTF 520.2	RFT 520.3	RFT 520.4
300x50	RTF 530.2	RFT 530.3	RFT 530.4
400x50	RTF 540.2	RFT 540.3	RFT 540.4
450x50	RTF 545.2	RFT 545.3	RFT 545.4



Cross Horizontal Bend Dörtlü Yatay Dönüş



Pre-Galvanized

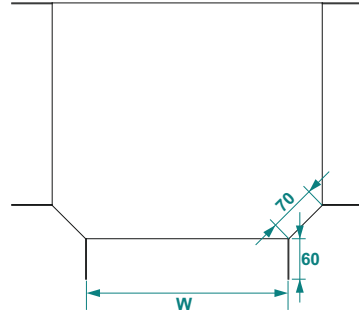
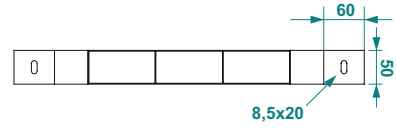
RFD		PG			
CODE	Height H mm	Width W mm	KG 1 pc	pcs	
RFD 510 10 PG	50	100	1,11	1	
RFD 515 10 PG	50	150	1,46	1	
RFD 520 10 PG	50	200	1,89	1	
RFD 525 12 PG	50	250	2,70	1	
RFD 530 12 PG	50	300	3,34	1	
RFD 540 12 PG	50	400	4,89	1	
RFD 545 12 PG	50	500	5,80	1	

MULTI COMPONENT TRUNKINGS MODEL NUMBER

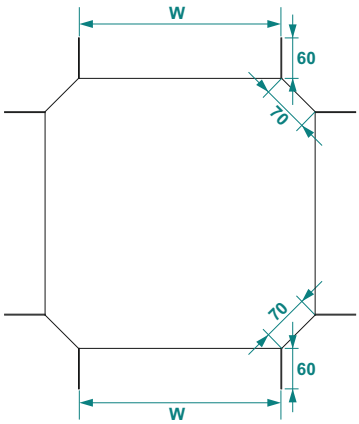
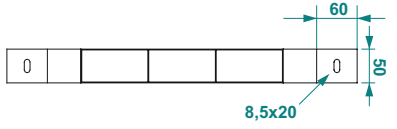
Size / Ebat	2 Comp. / 2 Bölüm	3 Comp. / 3 Bölüm	4 Comp. / 4 Bölüm
100x50	RFD 510.2	RFD 510.3	RFD 510.4
150x50	RFD 515.2	RFD 515.3	RFD 515.4
200x50	RFD 520.2	RFD 520.3	RFD 520.4
300x50	RFD 530.2	RFD 530.3	RFD 530.4
400x50	RFD 540.2	RFD 540.3	RFD 540.4
450x50	RFD 545.2	RFD 545.3	RFD 545.4



RFT



RFD



MATERIAL

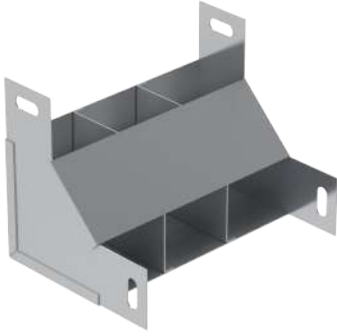
PG- Sendzimir Method to TS-EN 10346:2011
EG- Electro-galvanized EN ISO 2081
HDG- Steel, hot dip galv. to TS-EN ISO 1461:2011 (HDG)

Available finishes:

SS - Stainless steel AISI 304L and aisi 316L (SS)
EP- powder coating in a full range of colours (RAL)

Vertical Inside Bend

Dikey İç Bükme (Sabit)



Pre-Galvanized

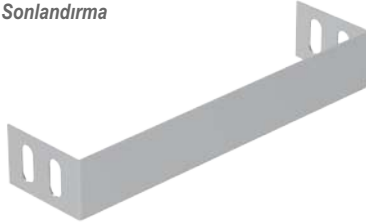
RFIS		PG		1.2mm	
CODE	Height H mm	Width W mm	kg 1 pc	pcs	
RFIS 510 12 PG	50	100	0,99	1	
RFIS 515 12 PG	50	150	1,13	1	
RFIS 520 12 PG	50	200	1,27	1	
RFIS 525 12 PG	50	250	1,41	1	
RFIS 530 12 PG	50	300	1,55	1	
RFIS 540 12 PG	50	400	1,83	1	
RFIS 545 12 PG	50	500	1,97	1	

MULTI COMPONENT TRUNKINGS MODEL NUMBER

Size / Ebat	2 Comp. / 2 Bölüm	3 Comp. / 3 Bölüm	4 Comp. / 4 Bölüm
100x50	RFIS 510.2	RFIS 510.3	RFIS 510.4
150x50	RFIS 515.2	RFIS 515.3	RFIS 515.4
200x50	RFIS 520.2	RFIS 520.3	RFIS 520.4
300x50	RFIS 530.2	RFIS 530.3	RFIS 530.4
400x50	RFIS 540.2	RFIS 540.3	RFIS 540.4
450x50	RFIS 545.2	RFIS 545.3	RFT 545.4

Stop End

Sonlandırma



Pre-Galvanized

SON		PG		1.2mm	
CODE	Height H mm	Width W mm	kg 1 pc	pcs	
SON 510 12 PG	50	100	0,14	1	
SON 515 12 PG	50	150	0,16	1	
SON 520 12 PG	50	200	0,19	1	
SON 525 12 PG	50	250	0,22	1	
SON 530 12 PG	50	300	0,25	1	
SON 540 12 PG	50	400	0,31	1	
SON 545 12 PG	50	500	0,34	1	

Junction Level Adjustment Element

Seviye Değiştirme Elemanı

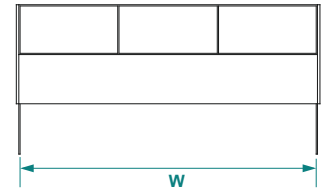
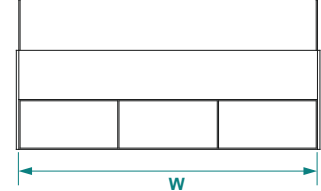
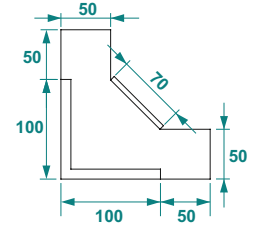


Pre-Galvanized

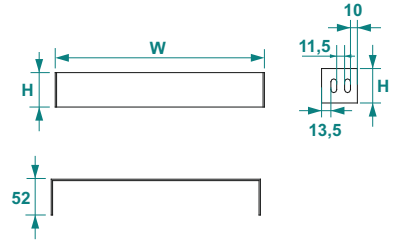
DAA		PG		
FOR RFS SERIES		FOR DAK SERIES		
CODE	Width W mm	CODE	Width W mm	Height H mm
DAA 10 PG	100	DAA 08	80	20
DAA 15 PG	150	DAA 12	120	20
DAA 20 PG	200	DAA 16	160	20
DAA 25 PG	250	DAA 20	200	20
DAA 30 PG	300	DAA 24	240	20
DAA 40 PG	400	DAA 30	300	20
DAA 50 PG	500			20

DBSA		PG		
CODE	Thickness	Size W mm	kg 1 pc	pcs
DBSA	M8	40X40	0,035	1

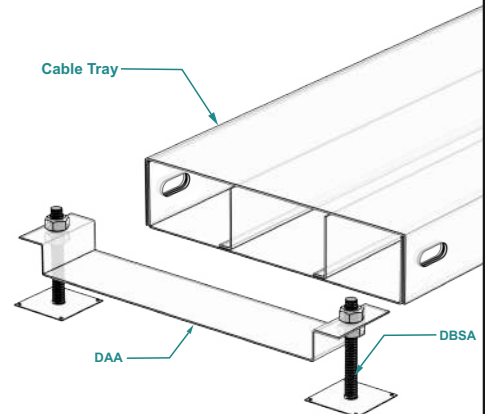
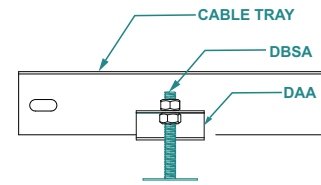
RFIS



SON



DBSA & DAA MOUNTING



MATERIAL

PG- Sendzimir Method to TS-EN 10346:2011
EG- Electro-galvanized EN ISO 2081
HDG- Steel, hot dip galv. to TS-EN ISO 1461:2011 (HDG)

Available finishes:

SS - Stainless steel AISI 304L and aisi 316L (SS)

Socket Case (14 Modules)

Yükseltiştir Döşemealtı Priz Kasası (14 Modül)



Important

To perform the assembly, gap distance of the installation hole should be 203x238 mm and area depth should be minimum 75 mm

RAL 7012 RAL 7035 RAL 9005



BPK 6

CODE	Socket Place 45x45+22x45	RAL Colours	kg 1 pc	pcs
BPK 6	6+2	RAL 7012	0,58	1
BPK 6 G	6+2	RAL 7035	0,58	1
BPK 6 S	6+2	RAL 9005	0,58	1

Socket Case (18 Modules)

Yükseltiştir Döşemealtı Priz Kasası (18 Modül)



Important

To perform the assembly, gap distance of the installation hole should be 210x245 mm and area depth should be minimum 75 mm

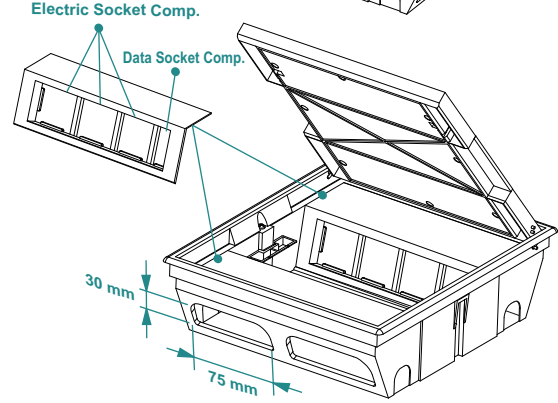
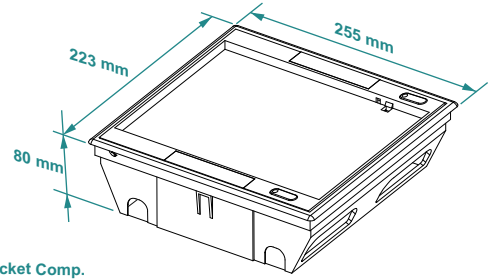
RAL 7012 RAL 7035 RAL 9005



BPK 8

CODE	Socket Place 45x45+22x45	RAL Colours	kg 1 pc	pcs
BPK 8	8+2	RAL 7012	1,200	1
BPK 8 G	8+2	RAL 7035	1,200	1
BPK 8 S	8+2	RAL 9005	1,200	1

BPK 6 14 Modules

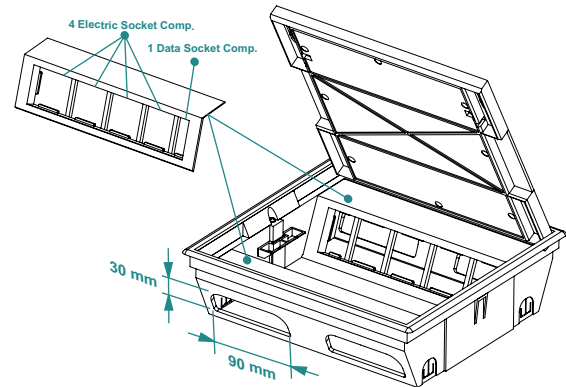
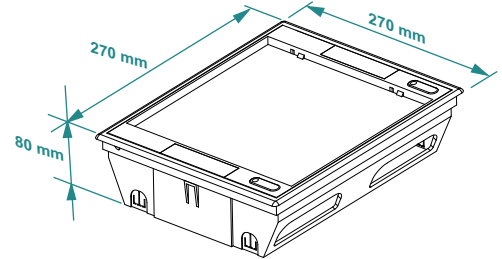


Sockets and socket covers are used together in BPK 6 combination.

BPK6, includes 6 pieces of electric socket compartments and 2 piece of data socket compartments. 2 socket holders are opposite of each other in the junction box.

Material: PA6, Flame Retardant & Halogen

BPK 8 18 Modules



Sockets and socket covers are used together in BPK 8 combination.

BPK8, includes 8 pieces of electric socket compartments and 2 piece of data socket compartments. 2 socket holders are opposite of each other in the junction box.

Material: PA6, Flame Retardant & Halogen

Socket Case (8 Modules + 4 Keystone Jacks)

Yükseltilmiş Döşemealtı Priz Kasası Priz Kasası



Important

To perform the assembly, gap distance of the installation hole should be 143x131 mm and area depth should be minimum 55 mm



BPC 4

CODE	Socket Place 45x45+22x45	RAL Colours	kg 1 pc	pcs
BPC 4	4+4	RAL 7012	0,168	1
BPC 4 G	4+4	RAL 7035	0,168	1
BPC 4 S	4+4	RAL 9005	0,168	1
BPC 4 B	4+4	RAL 9016	0,168	1

Socket Placement



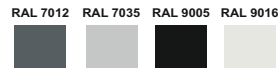
Socket Case (8 Modules + 4 Keystone Jacks)

Yükseltilmiş Döşemealtı Priz Kasası Priz Kasası



Important

To perform the assembly, gap distance of the installation hole should be 143x131 mm and area depth should be minimum 55 mm



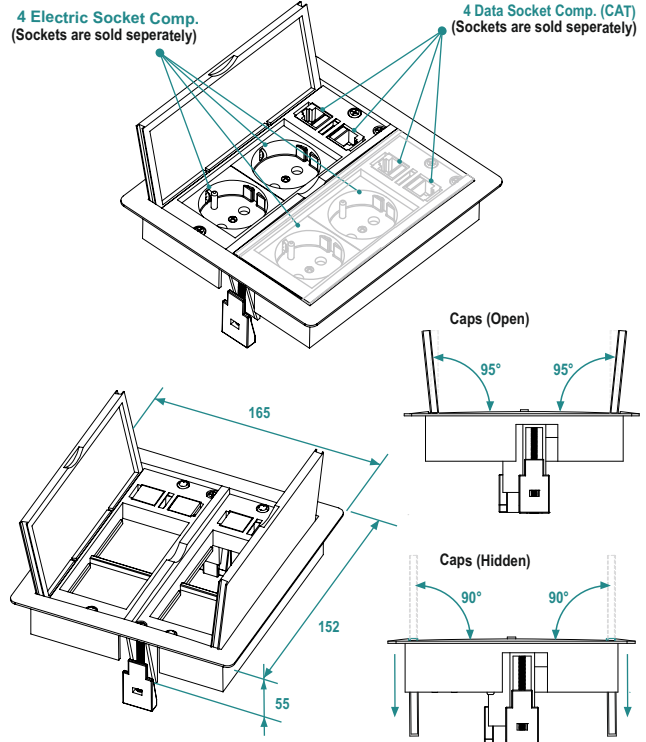
BPK 4

CODE	Socket Place 45x45+22x45	RAL Colours	kg 1 pc	pcs
BPK 4	4+4	RAL 7012	0,273	1
BPK 4 G	4+4	RAL 7035	0,273	1
BPK 4 S	4+4	RAL 9005	0,273	1
BPK 4 B	4+4	RAL 9016	0,273	1

BPC 4

4 Electric Socket Comp.
(Sockets are sold seperately)

4 Data Socket Comp. (CAT)
(Sockets are sold seperately)



When the caps are opened 90 degrees, the caps will be hidden in junction box.

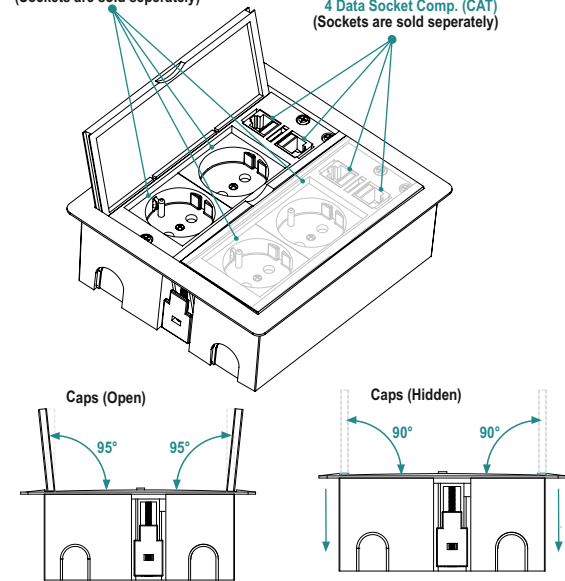
Sockets are used without socket covers in BPC 4 combinations.

BPK4, includes 4 pieces of electric socket compartments and 4 piece of data socket compartments. 2 socket holders exist side by side in the junction box.

Material: PA6, Flame Retardant & Halogen

4 Electric Socket Comp.
(Sockets are sold seperately)

4 Data Socket Comp. (CAT)
(Sockets are sold seperately)



Sockets are used without socket covers in BPK 4 combinations.

BPK4, includes 4 pieces of electric socket compartments and 4 piece of data socket compartments. 2 socket holders exist side by side in the junction box.

Material: PA6, Flame Retardant & Halogen

Socket Case (4 Modules + 2 Keystone Jacks)

Yükseltilmiş Döşemealtı Priz Kasası



Important

To perform the assembly, gap diameter of the installation hole should be 116 mm and area depth should be minimum 50 mm.

RAL 7012 RAL 7035 RAL 9005



GRO

CODE	Socket Place 45x45+22x45	RAL Colours	kg 1 pc	pcs
GRO G	2+2	RAL 7012	0,120	1
GRO S	2+2	RAL 7035	0,120	1
GRO B	2+2	RAL 9005	0,120	1

Socket Case (4 Modules + 2 Keystone Jacks)

Yükseltilmiş Döşemealtı Priz Kasası



Important

To perform the assembly, gap diameter of the installation hole should be 118 mm and area depth should be minimum 62 mm.

RAL 7012 RAL 7035 RAL 9005



GRO 1

CODE	Socket Place 45x45+22x45	RAL Colours	kg 1 pc	pcs
GRO 1 G	2+2	RAL 7012	0,191	1
GRO 1 S	2+2	RAL 7035	0,191	1
GRO 1 B	2+2	RAL 9005	0,191	1

Socket Placement

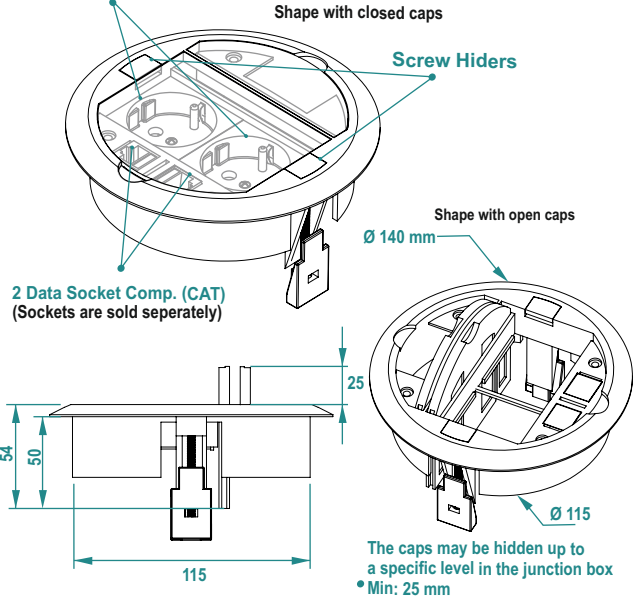


Socket Placement



GRO

2 Electric Socket Comp.
(Sockets are sold separately)

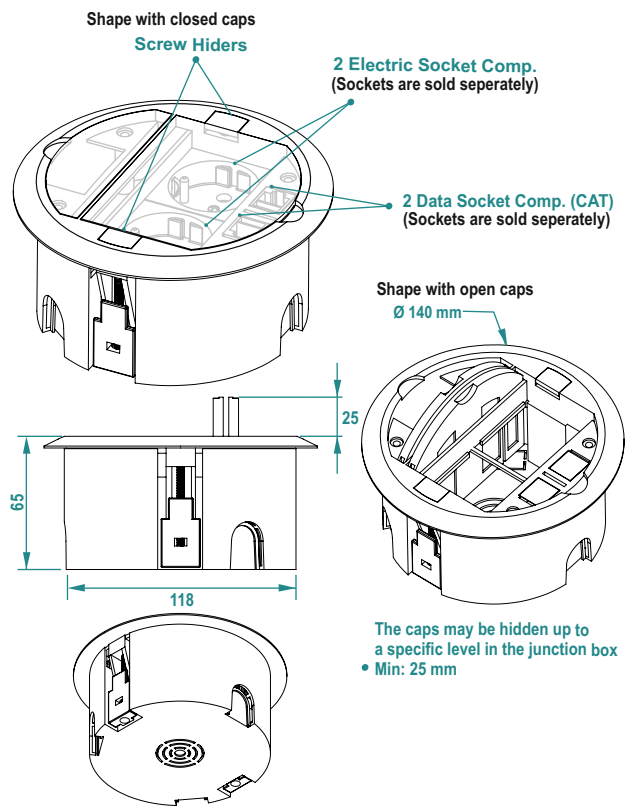


Sockets are used without socket covers in GRO combinations.

GRO, includes 2 pieces of electric socket compartments and 2 piece of data socket compartments

Material: PA6, Flame Retardant & Halogen

GRO 1



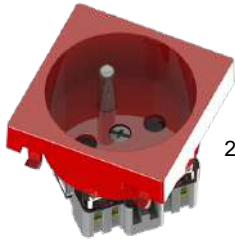
Sockets are used without socket covers in GRO 1 combinations.

GRO 1, includes 2 pieces of electric socket compartments, 2 piece of data socket compartments and raised floor socket box.

Material: PA6, Flame Retardant & Halogen

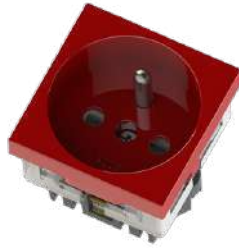
45 mm UPS Sockets

Ups Prizi -



200-250 V~
16A
2P + ⊕

Product Code	Size (mm)	Weight (Kg)
UPS 45 E	45*45 turned	0,040



200-250 V~
16A
2P + ⊕

Product Code	Size (mm)	Weight (Kg)
UPS 45 D	45*45 Straight	0,040

45 mm Power Sockets

Topraklı Priz -



200-250 V~
16A
2P + ⊕

Product Code	Size (mm)	Weight (Kg)
TP 45 E	45*45 turned	0,036



200-250 V~
16A
2P + ⊕

Product Code	Size (mm)	Weight (Kg)
TP 45 D	45*45 Straight	0,036

45 mm Phone & Data Socket Covers

Kapaklar



22,5 Socket Cover

Product Code	Size (mm)
TPK 22	45*22,5



45 Socket Cover

Product Code	Size (mm)
TPK 45	45*45



22,5 Single Keystone Faceplate

Product Code	Size (mm)
DTK 22 S	45*22,5



45 Single Keystone Faceplate

Product Code	Size (mm)
DTK 45 S	45*45



45 Double Keystone Faceplate

Product Code	Size (mm)
DTK 45 D	45*45

Data & Phone Sockets

Data & Telefon Prizi -



Cat3 Telephone Keystone Jack

Product Code	Size (mm)
RJ 12 CAT 3	45*45



Cat5 Data Keystone Jack

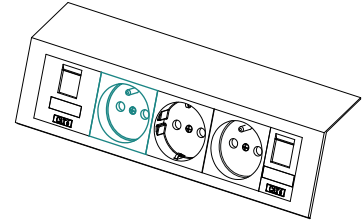
Product Code	Size (mm)
RJ 45 CAT 5	45*45



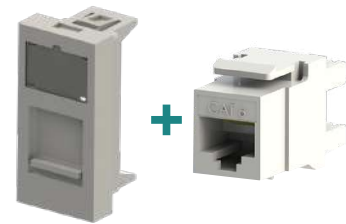
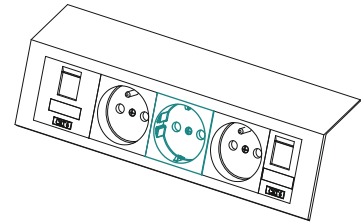
Cat6 Data Keystone Jack

Product Code	Size (mm)
RJ 45 CAT 6	45*45

45 mm UPS Socket



45 mm Power Socket



Common Usage

Application Method

