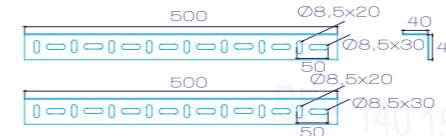
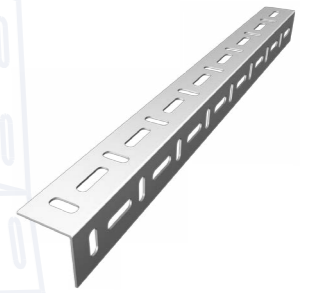
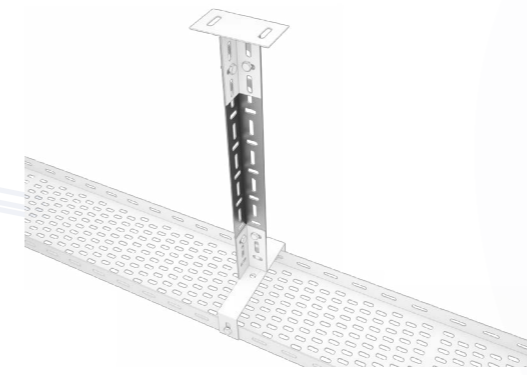


L Profile 40 x 40

L Destek 40 x 40

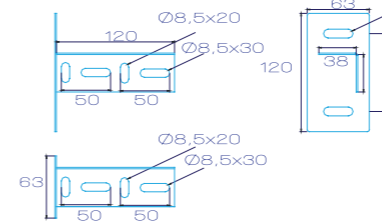
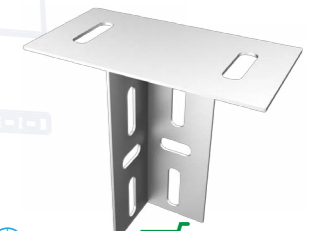
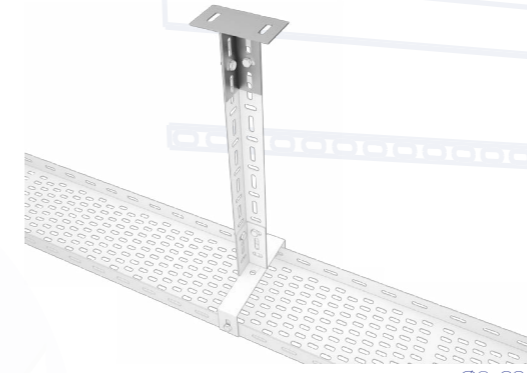


Model Number	L Length (L) (mm)	T Thickness (T) (mm)	"Weight kg/pcs"	"Order Code (PG)"	"Order Code (HDG)"
L40 50	500	1,50	0,471	4300 40 050 15 1	4300 40 050 15 1
L40 100	1000	1,50	0,942	4300 40 100 15 1	4300 40 100 15 1
L40 150	1500	1,50	1,413	4300 40 150 15 1	4300 40 150 15 1
L40 200	1000	1,50	0,942	4300 40 200 15 1	4300 40 200 15 1

Material & Finish Options:  
 PG HDG SS

L Profile Support Ceiling

L Tavan Destek

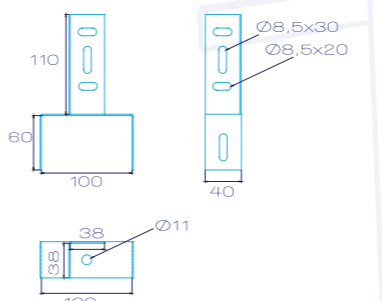
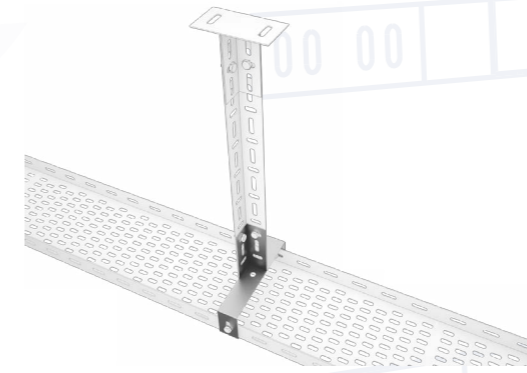


Model Number	L Length (L) (mm)	T Thickness (T) (mm)	"Weight kg/pcs"	"Order Code (PG)"	"Order Code (HDG)"
L40T 10	120	1,50	0,371	4310 40 012 15 7	4310 40 012 15 2
L40T 30	300	1,50	0,625	4310 40 030 15 7	4310 40 030 15 2
L40T 40	400	1,50	0,766	4310 40 040 15 7	4310 40 040 15 2
L40T 50	500	1,50	0,907	4310 40 050 15 7	4310 40 050 15 2
L40T 100	1000	1,50	1,614	4310 40 100 15 7	4310 40 100 15 2

Material & Finish Options:  
 PG HDG SS

L Profile Support Ceiling

L Kanal Taşıyıcı



Model Number	L Length (L) (mm)	T Thickness (T) (mm)	"Weight kg/pcs"	"Order Code (PG)"	"Order Code (HDG)"
L40K 05	50	1,50	0,375	4320 40 050 15 7	4320 40 050 15 2
L40K 10	100	1,50	0,448	4320 40 100 15 7	4320 40 100 15 2
L40K 16	160	1,50	0,537	4320 40 160 15 7	4320 40 160 15 2
L40K 20	200	1,50	0,595	4320 40 200 15 7	4320 40 200 15 2
L40T 100	1000	1,50	1,614	4310 40 100 15 7	4310 40 100 15 2

Material & Finish Options:  
 PG HDG SS

Support Systems  
 Destek Sistemleri

SON 430 20

BYD 140 15