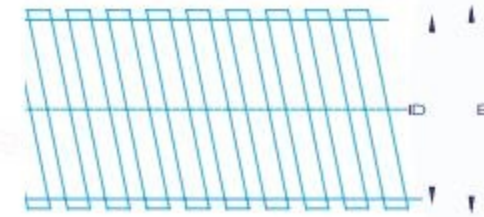


Galvanized Flexible Steel Conduit

Çelik Spiral Boru



SEP 140 15 Technical Properties

Material	Galvanised Steel
Compression Resistance	320 Newton / 60 sec class 2
IP rating	IP40 class 2
Temperature Resistance	-20 C / +220 C
Application Fields	Machinery Industry Protecting cables under ground Chemical Industry Protecting electrical installations

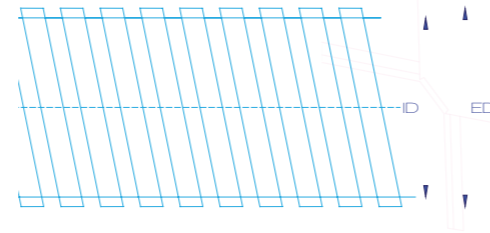
Genel Özellikler

Hammade	Galvaniz kaplı çelik
Sürekli ısıya direnci	-20 C / +220 C
Kullanım alanı	Dahili ortamlarda mekanik koruma istenilen kablo tesisatlarında kullanılır.

Model	Model code wire inside	Metric Size	Inch Size	Coil Packing (Paket içi) (m)	Internal Diameter (İç Çap) ID, (mm)		External Diameter (Dış Çap) ED, (mm)		Min Bend Radius (mm)
					min.	max.	min.	max.	
CSB 9		9		50	9,0	9,2	12	12,20	25
CSB 10		10	1/4"	50	9,7	10,2	12,8	13,00	25
CSB 11		11		50	10,9	11,2	13,9	14,20	35
CSB 12		12	3/8"	50	12,3	12,8	15,3	15,80	35
CSB 14	CSB 14 T	14		50	13,9	14,2	17,2	17,50	40
CSB 16	CSB 16 T	16	1/2"	50	15,5	16,0	18,7	19,30	40
CSB 18	CSB 18 T	18		50	17,6	18,0	20,8	21,20	45
CSB 21	CSB 21 T	21	3/4"	50	20,5	21,0	23,7	24,20	45
CSB 26	CSB 26 T	26	1"	50	25,5	26,4	29,2	29,80	55
CSB 29	CSB 29 T	29		25	28,6	29,0	32	32,40	55
CSB 32	CSB 32 T	32		25	32,0	32,5	35,5	36,00	60
CSB 35	CSB 35 T	35	1 1/4"	25	34,5	35,0	37,7	38,30	60
CSB 38	CSB 38 T	38		25	38,0	38,5	41	42,00	80
CSB 40	CSB 40 T	40	1 1/2"	25	39,5	40,1	43	43,50	90
CSB 51	CSB 51 T	51	2"	25	51,3	51,9	54,8	55,40	110
CSB 63	CSB 63 T	63	2 1/2"	15	62,9	63,6	66,5	67,20	130
CSB 78	CSB 78 T	78	3"	15	77,9	78,7	81,6	82,40	155
CSB 102	CSB 102 T	102	4"	15	101,6	102,6	105,5	106,50	200

PVC Coated Flexible Steel Conduit

PVC Kaplı Çelik Spiral Boru



SON 430 20

Technical Properties

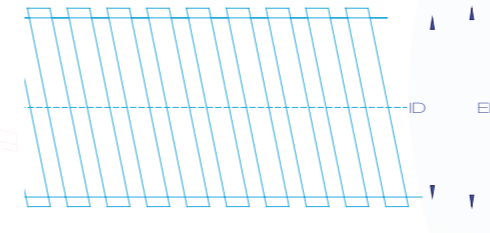
Material	PVC coated Galvanised Steel	
Color Options	Black / Gray, other colors (on request)	
Compression Resistance	320 Newton / 60 sec	class 2
IP rating	IP54	
Temperature Resistance	-20 C / +70 C	
Application Fields	Machinery Industry Protecting cables under ground Chemical Industry Protecting electrical installations	

Genel Özellikler

Hammade	PVC kaplı galvaniz çelik
Renk seçeneği	Standart Siyah / Gri, istenilen renkte özel imalat da yapılabilir
Sürekli ısıya direnc	-20 C / +70 C
Kullanım alanı	Dahili ortamlarda mekanik koruma istenilen kablo tesisatlarında kullanılır.

Liquid Tight Flexible Steel Conduit

Ağır Hizmet Tipi Çelik Spiral Boru



Technical Properties

Material	PVC coated Galvanised Steel
Color Options	Black
Compression Resistance	1250 Newton
IP rating	IP65
Temperature Resistance	-20 C / +70 C
Application Fields	Machinery Industry Protecting cables under ground Chemical Industry Protecting electrical installations

Genel Özellikler

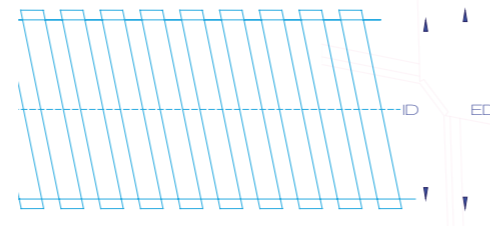
Hammade	PVC kaplı galvaniz çelik
Hammade	Standart Siyah istenilen renkte özel imalat da yapılabilir
Sürekli ısıya direnc	-20 C / +70 C
Kullanım alanı	Dahili ortamlarda mekanik koruma istenilen kablo tesisatlarında kullanılır.

Model	Model code wire inside	Metric Size	Inch Size	Coil Packing (Paket içi) (m)	Internal Diameter (iç çap) ID, (mm)		External Diameter (Dış Çap) ED, (mm)		Min Bend Radius (mm)
					min.	max.	min.	max.	
PSB 9		9		50	9,0	9,2	13,1	13,20	30
PSB 10		10	1/4"	50	9,7	10,2	13,8	14,20	30
PSB 11		11		50	10,9	11,2	14,8	15,20	40
PSB 12		12	3/8"	50	12,3	12,8	16,7	17,20	40
PSB 14	PSB 14 T	14		50	13,9	14,2	17,9	18,40	45
PSB 16	PSB 16 T	16	1/2"	50	15,5	16,0	20,2	20,70	45
PSB 18	PSB 18 T	18		50	17,6	18,0	21,5	22,00	50
PSB 21	PSB 21 T	21	3/4"	50	20,5	21,0	25,5	26,10	50
PSB 26	PSB 26 T	26	1"	50	25,5	26,4	31,6	32,20	60
PSB 29	PSB 29 T	29		25	28,5	29,0	32,5	33,00	60
PSB 32	PSB 32 T	32		25	31,8	32,5	37	37,50	65
PSB 35	PSB 35 T	35	1 1/4"	25	34,5	35,0	40,8	41,50	65
PSB 38	PSB 38 T	38		25	38,0	38,5	43	43,50	90
PSB 40	PSB 40 T	40	1 1/2"	25	39,5	40,1	46,5	47,20	100
PSB 51	PSB 51 T	51	2"	25	51,3	51,9	58,1	58,70	120
PSB 63	PSB 63 T	63	2 1/2"	15	62,9	63,6	71,8	72,40	140
PSB 78	PSB 78 T	78	3"	15	77,9	78,7	87,2	87,90	165
PSB 102	PSB 102 T	102	4"	15	101,6	102,6	111,2	112,30	210

Model	Metric Size	Inch Size	Coil Packing (Paket içi) (m)	Internal Diameter (iç çap) ID, (mm)		External Diameter (Dış Çap) ED, (mm)		Min Bend Radius (mm)
				min.	max.	min.	max.	
LPSB 13	13	3/8"	30	12,8	13,0	18,8	19,00	55
LPSB 16	16	1/2"	30	15,5	16,0	21,5	22,00	80
LPSB 21	21	3/4"	30	20,5	21,0	26,5	27,00	100
LPSB 26	26	1"	30	25,5	26,4	33,5	34,40	165
LPSB 35	35	1 1/4"	15	34,5	35,0	42,5	43,00	200
LPSB 40	40	1 1/2"	15	39,5	40,1	48,5	49,10	230
LPSB 51	51	2"	15	51,3	51,9	60,3	60,90	280
LPSB 63	63	2 1/2"	7,5	62,9	63,6	72,9	73,60	375
LPSB 78	78	3"	7,5	77,9	78,7	89,9	90,70	450
LPSB 102	102	4"	7,5	101,6	102,6	113,6	114,60	650

Galvanised Steel Overbraided Flexible Steel Conduit

Çelik Tel Örgülü Çelik Spiral Boru



SON 430 20



Technical Properties

Material	Galvanised Steel Galvanised Steel Overbraid
IP rating	IP40
Temperature Resistance	-40 C / +300 C
Application Fields	Machinery Industry Protecting cables from electromagnetic impact Chemical Industry



Genel Özellikler

Hammade	Galvaniz kaplı çelik
Sürekli Isıya direnc	-40 C / +300 C
Kullanım alanı	Dahili ortamlarda elektromanyetik koruma istenilen kabloda kullanılır.



Technical Properties

Material	PVC coated Galvanised Steel Galvanised Steel Overbraid
PVC Color Options	Black / Gray, other colors (on request)
IP rating	IP54
Temperature Resistance	-20 C / +70 C
Application Fields	Machinery Industry Protecting cables from electromagnetic impact Chemical Industry



Genel Özellikler

Hammade	PVC kaplı galvaniz çelik
Hammade	Standart Siyah / Gri istenilen renkte özel imalat da yapılabilir
Sürekli Isıya direnc	-20 C / +70 C
Kullanım alanı	Dahili ortamlarda mekanik koruma istenilen kablo tesisatlarında kullanılır.



Model

Metric Size

Inch Size

Coil Packing
(Paket içi)
(m)

Internal Diameter
(İç Çap)
ID, (mm)

External Diameter
(Dış Çap)
ED, (mm)

Min Bend
Radius
(mm)

Model	Metric Size	Inch Size	Coil Packing (Paket içi) (m)	Internal Diameter (İç Çap) ID, (mm)		External Diameter (Dış Çap) ED, (mm)		Min Bend Radius (mm)
				min.	max.	min.	max.	
OCSB 9	9		50	9,0	9,2	13,1	13,20	25
OCSB 10	10	1/4"	50	9,7	10,2	13,8	14,20	25
OCSB 11	11		50	10,9	11,2	14,8	15,20	35
OCSB 12	12	3/8"	50	12,3	12,8	16,7	17,20	35
OCSB 14	14		50	13,9	14,2	17,9	18,40	40
OCSB 16	16	1/2"	50	15,5	16,0	20,2	20,70	40
OCSB 18	18		50	17,6	18,0	21,5	22,00	45
OCSB 21	21	3/4"	50	20,5	21,0	25,5	26,10	45
OCSB 26	26	1"	50	25,5	26,4	31,6	32,20	55
OCSB 29	29		25	28,6	29,0	32,5	33,00	55
OCSB 32	32		25	31,8	32,5	37	37,50	60
OCSB 35	35	1 1/4"	25	34,5	35,0	40,8	41,50	60
OCSB 38	38		25	38,0	38,5	43	43,50	80
OCSB 40	40	1 1/2"	25	39,5	40,1	46,5	47,20	90
OCSB 51	51	2"	25	51,3	51,9	58,1	58,70	110
OCSB 63	63	2 1/2"	15	62,9	63,6	71,8	72,40	130
OCSB 78	78	3"	15	77,9	78,7	87,2	87,90	155
OCSB 102	102	4"	15	101,6	102,6	111,2	112,30	200

Tinned copper overbraided galvanised steel conduit
Stainless steel overbraided galvanised steel conduit



Model

Metric Size

Inch Size

Coil Packing
(Paket içi)
(m)

Internal Diameter
(İç Çap)
ID, (mm)

External Diameter
(Dış Çap)
ED, (mm)

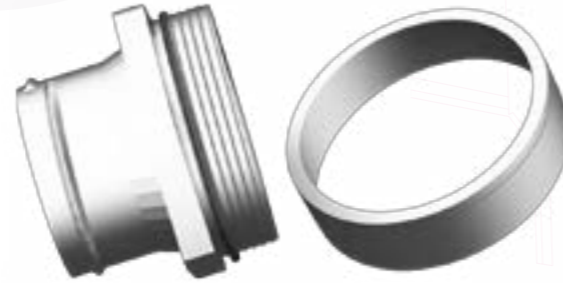
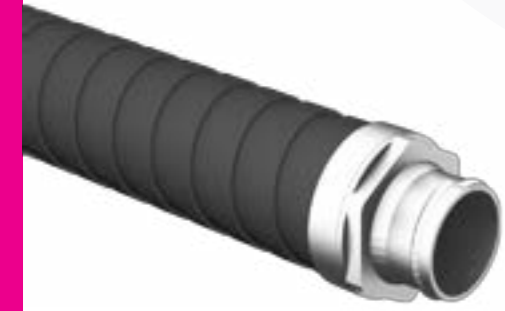
Min Bend
Radius
(mm)

Model	Metric Size	Inch Size	Coil Packing (Paket içi) (m)	Internal Diameter (İç Çap) ID, (mm)		External Diameter (Dış Çap) ED, (mm)		Min Bend Radius (mm)
				min.	max.	min.	max.	
OPSB 9	9		50	9,0	9,2	13,1	13,20	30
OPSB 10	10	1/4"	50	9,7	10,2	13,8	14,20	30
OPSB 11	11		50	10,9	11,2	14,8	15,20	40
OPSB 12	12	3/8"	50	12,3	12,8	16,7	17,20	40
OPSB 14	14		50	13,9	14,2	17,9	18,40	45
OPSB 16	16	1/2"	50	15,5	16,0	20,2	20,70	45
OPSB 18	18		50	17,6	18,0	21,5	22,00	50
OPSB 21	21	3/4"	50	20,5	21,0	25,5	26,10	50
OPSB 26	26	1"	50	25,5	26,4	31,6	32,20	60
OPSB 29	29		25	28,5	29,0	32,5	33,00	60
OPSB 32	32		25	31,8	32,5	37	37,50	65
OPSB 35	35	1 1/4"	25	34,5	35,0	40,8	41,50	65
OPSB 38	38		25	38,0	38,5	44	43,50	90
OPSB 40	40	1 1/2"	25	39,5	40,1	46,5	47,20	100
OPSB 51	51	2"	25	51,3	51,9	58,1	58,70	120
OPSB 63	63	2 1/2"	15	62,9	63,6	71,8	72,40	140
OPSB 78	78	3"	15	77,9	78,7	87,2	87,90	165
OPSB 102	102	4"	15	101,6	102,6	111,2	112,30	210

Tinned copper overbraided galvanised steel conduit
Stainless steel overbraided galvanised steel conduit

Fixed Internal Adaptor Male Thread

Sabit Dış Spiral Boru Rakoru - Pano Tipi



SON 430 20



Technical Properties

Material	Nickel Plated Brass
IP rating	IP44
TYPE	Fixed Body
If used with O-ring IP rating	IP 54
Temperature Resistance	-40 C/ +250 C
Application Fields	For insertion into knockouts using a locknut (order locknut separately)
Connection Thread Norms	CONNECTION THREAD "M"- EN 60423 CONNECTION THREAD "PG"- DIN 40430

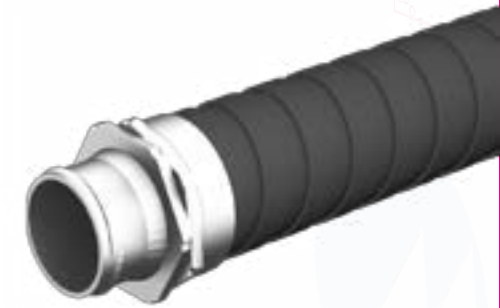


Genel Özellikler

Hammade	Nikel kaplı Piring
IP derecesi	IP 44
Tip	SABİT DİŞ
	O-RING ile kullanıldığında koruma derecesi IP54 yükselir
Sürekli ısıya direnci	-40 C/ +250 C
Bağlantı Dışı Normları	BAGLANTI DİŞİ "M" - EN 60423 BAGLANTI DİŞİ "PG" - DIN 40430

Swivel Internal Adaptor Male Thread

Döner Dış Spiral Boru Rakoru- Pano Tipi



SEP 140 15



Technical Properties

Material	Nickel Plated Brass
IP rating	IP44
TYPE	Swivel Body
If used with O-ring IP rating	IP 54
Temperature Resistance	-40 C/ +250 C
Application Fields	For insertion into threaded entries & knockouts using a locknut (order locknut separately)
Connection Thread Norms	CONNECTION THREAD "M"- EN 60423 CONNECTION THREAD "PG"- DIN 40430



Genel Özellikler

Hammade	Nikel kaplı Piring
IP derecesi	IP 44
Tip	DÖNER DİŞ
	O-RING ile kullanıldığında koruma derecesi IP54 yükselir
Sürekli ısıya direnci	-40 C/ +250 C
Bağlantı Dışı Normları	BAGLANTI DİŞİ "M" - EN 60423 BAGLANTI DİŞİ "PG" - DIN 40430

Order code, metric

Nominal Conduit size
metric, mm Inch Size

Metric Thread

RSM 9	9		M12x1.5
RSM 10	10	1/4"	M12x1.5
RSM 11	11		M16x1.5
RSM 12	12	3/8"	M16x1.5
RSM 14	14		M20x1.5
RSM 16	16	1/2"	M20x1.5
RSM 18	18		M25x1.5
RSM 21	21	3/4"	M25x1.5
RSM 26	26	1"	M32x1.5
RSM 29	29		M32x1.5
RSM 32	32		M40x1.5
RSM 35	35	1 1/4"	M40x1.5
RSM 37	37		M50x1.5
RSM 40	40	1 1/2"	M50x1.5
RSM 51	51	2"	M63x1.5
RSM 63	63	2 1/2"	M75x1.5
RSM 78	78	3"	M80x1.5
RSM 102	102	4"	M90x1.5

Order code, PG

Nominal Conduit size
metric, mm Inch Size

PG thread

RSP 9	9		PG 9
RSP 10	10	1/4"	PG 9
RSP 11	11		PG 11
RSP 12	12	3/8"	PG 13,5
RSP 14	14		PG 13,5
RSP 16	16	1/2"	PG 16
RSP 18	18		PG 21
RSP 21	21	3/4"	PG 21
RSP 26	26	1"	PG 29
RSP 29	29		PG 29
RSP 32	32		PG 36
RSP 35	35	1 1/4"	PG 36
RSP 37	37		PG 36
RSP 40	40	1 1/2"	PG 42
RSP 51	51	2"	PG 48

Order code, metric

Nominal Conduit size
metric, mm Inch Size

Metric Thread

RDM 9	9		M12x1.5
RDM 10	10	1/4"	M12x1.5
RDM 11	11		M16x1.5
RDM 12	12	3/8"	M16x1.5
RDM 14	14		M20x1.5
RDM 16	16	1/2"	M20x1.5
RDM 18	18		M25x1.5
RDM 21	21	3/4"	M25x1.5
RDM 26	26	1"	M32x1.5
RDM 29	29		M32x1.5
RDM 32	32		M40x1.5
RDM 35	35	1 1/4"	M40x1.5
RDM 37	37		M50x1.5
RDM 40	40	1 1/2"	M50x1.5
RDM 51	51	2"	M63x1.5
RDM 63	63	2 1/2"	M75x1.5
RDM 78	78	3"	M80x1.5
RDM 102	102	4"	M90x1.5

Order code, PG

Nominal Conduit size
metric, mm Inch Size

PG thread

RDP 9	9		PG 9
RDP 10	10	1/4"	PG 9
RDP 11	11		PG 11
RDP 12	12	3/8"	PG 13,5
RDP 14	14		PG 13,5
RDP 16	16	1/2"	PG 16
RDP 18	18		PG 21
RDP 21	21	3/4"	PG 21
RDP 26	26	1"	PG 29
RDP 29	29		PG 29
RDP 32	32		PG 36
RDP 35	35	1 1/4"	PG 36
RDP 37	37		PG 36
RDP 40	40	1 1/2"	PG 42
RDP 51	51	2"	PG 48

Fixed Internal Adaptor Female Thread

Sabit Diş Spiral Boru Rakoru - Boru Tipi



For EMT pipes please order Screw fix type
EMT boru bağlantısı için lütfen vidalı tip sipariş veriniz

SON 430 20

Order code, metric	Nominal Conduit size		Metric Thread
	metric, mm	Inch Size	
BRM 16	16	1/2"	M20
BRM 21	21	3/4"	M25
BRM 26	26	1"	M32

Thechnical Properties

Material	Nickel Plated Brass
IP rating	IP44
TYPE	Fixed Body
If used with O-ring IP rating	IP 54
Temperature Resistance	-40 C / +250 C
Application Fields	For attaching to external threads & other fittings
Connection Thread Norms	CONNECTION THREAD "M" - EN 60423

Genel Özellikler

Hammade	Nikel kaplı Piring
IP derecesi	IP 44
Tip	SABİT DİŞ
Sürekli ısıya direnci	O-RING ile kullanıldığında koruma derecesi IP54 yükselir -40 C / +250 C
Bağlantı Dışı Normları	BAGLANTI DİŞİ "M" - EN 60423

Smooth Entry Bush

Düz Giriş Burcu- Pano Tipi



Order code, metric	Nominal Conduit size		Hole size, mm Delik Çapı, mm
	metric, mm	Inch Size	
DGB 10	10	1/4"	15
DGB 12	12	3/8"	18
DGB 16	16	1/2"	22
DGB 21	21	3/4"	28
DGB 26	26	1"	35
DGB 32	32		40
DGB 35	35	1 1/4"	42
DGB 40	40	1 1/2"	50
DGB 51	51	2"	60
DGB 63	63	2 1/2"	75

Thechnical Properties

Material	Nickel Plated Brass
IP rating	IP44
TYPE	Plain Hole
If used with O-ring IP rating	IP 54
Temperature Resistance	-40 C / +250 C
Application Fields	For locking conduit into plain holes in enclosures

Genel Özellikler

Hammade	Nikel kaplı Piring
IP derecesi	IP 44
Tip	Düz Delik
Sürekli ısıya direnci	-40 C / +250 C

Fixed External Adaptor Male Thread

Sabit Diş Ağır Hizmet Spiral Boru Rakoru- Pano Tipi



SEP 140 15

Thechnical Properties

Material	Nickel Plated Brass
IP rating	IP65
TYPE	Fixed Body
If used with O-ring IP rating	IP68
Temperature Resistance	-40 C / +250 C
Application Fields	For insertion into knockouts using a locknut (order locknut separately)
Connection Thread Norms	CONNECTION THREAD "M" - EN 60423 CONNECTION THREAD "PG" - DIN 40430

Genel Özellikler

Hammade	Nikel kaplı Piring
IP derecesi	IP 65
Tip	SABİT DİŞ
Sürekli ısıya direnci	O-RING ile kullanıldığında koruma derecesi IP68 yükselir -40 C / +250 C
Bağlantı Dışı Normları	BAGLANTI DİŞİ "M" - EN 60423 BAGLANTI DİŞİ "PG" - DIN 40430

KT 430

Order code, metric	Nominal Conduit size		Metric Thread
	metric, mm	Inch Size	
LRSM 10	10	1/4"	M12x1.5
LRSM 13	13	3/8"	M16x1.5
LRSM 16	16	1/2"	M20x1.5
LRSM 21	21	3/4"	M25x1.5
LRSM 26	26	1"	M32x1.5
LRSM 35	35	1 1/4"	M40x1.5
LRSM 40	40	1 1/2"	M50x1.5
LRSM 51	51	2"	M63x1.5
LRSM 63	63	2 1/2"	M75x1.5
LRSM 78	78	3"	M80x1.5
LRSM 102	102	4"	M90x1.5

Order code, PG	Nominal Conduit size		PG thread
	metric, mm	Inch Size	
LRSP 10	10	1/4"	PG 9
LRSP 13	13	3/8"	PG 13,5
LRSP 16	16	1/2"	PG 16
LRSP 21	21	3/4"	PG 21
LRSP 26	26	1"	PG 29
LRSP 35	35	1 1/4"	PG 36
LRSP 40	40	1 1/2"	PG 42
LRSP 51	51	2"	PG 48

Swivel External Adaptor Male Thread

Döner Diş Ağır Hizmet Spiral Boru Rakoru- Pano Tipi



SON 430 20



Technical Properties

Material	Nickel Plated Brass
IP rating	IP65
TYPE	Fixed Body
If used with O-ring IP rating	IP68
Temperature Resistance	-40 C/ +250 C
Application Fields	For insertion into threaded entries & knockouts using a locknut (order locknut separately)
Connection Thread Norms	CONNECTION THREAD "M" - EN 60423 CONNECTION THREAD "PG" - DIN 40430



Genel Özellikler

Hammade	Nikel kaplı Pirinç
IP derecesi	IP65
Tip	DÖNER DİŞ
	O-RING ile kullanıldığında koruma derecesi IP68 yükselir
Sürekli ısıya direnci	-40 C/ +250 C
Bağlantı Dişi Normları	BAĞLANTI DİŞİ "M" - EN 60423 BAĞLANTI DİŞİ "PG" - DIN 40430

Fixed External Adaptor Female Thread

Sabit Diş Ağır Hizmet Spiral Boru Rakoru- Boru Tipi



SEP 140 15



Technical Properties

Material	Nickel Plated Brass
IP rating	IP65
TYPE	Fixed Body
If used with O-ring IP rating	IP68
Temperature Resistance	-40 C / +250 C
Application Fields	For attaching to external threads & other fittings
Connection Thread Norms	CONNECTION THREAD "M" - EN 60423 CONNECTION THREAD "PG" - DIN 40430



Genel Özellikler

Hammade	Nikel kaplı Pirinç
IP derecesi	IP 65
Tip	SABIT DİŞ
	O-RING ile kullanıldığında koruma derecesi IP68 yükselir
Sürekli ısıya direnci	-40 C/ +250 C
Bağlantı Dişi Normları	BAĞLANTI DİŞİ "M" - EN 60423 BAĞLANTI DİŞİ "PG" - DIN 40430

BYD 140 15



Order code, metric
Nominal Conduit size
Metric Thread

Order code, metric	Nominal Conduit size		Metric Thread
	metric, mm	Inch Size	
LRDM 10	10	1/4"	M12x1.5
LRDM 12	12	3/8"	M16x1.5
LRDM 16	16	1/2"	M20x1.5
LRDM 21	21	3/4"	M25x1.5
LRDM 26	26	1"	M32x1.5
LRDM 35	35	1 1/4"	M40x1.5
LRDM 40	40	1 1/2"	M50x1.5
LRDM 51	51	2"	M63x1.5
LRDM 63	63	2 1/2"	M75x1.5
LRDM 78	78	3"	M80x1.5
LRDM 102	102	4"	M90x1.5



Order code, PG
Nominal Conduit size
PG thread

Order code, PG	Nominal Conduit size		PG thread
	metric, mm	Inch Size	
LRDP 10	10	1/4"	PG 9
LRDP 12	12	3/8"	PG 13,5
LRDP 16	16	1/2"	PG 16
LRDP 21	21	3/4"	PG 21
LRDP 26	26	1"	PG 29
LRDP 35	35	1 1/4"	PG 36
LRDP 40	40	1 1/2"	PG 42
LRDP 51	51	2"	PG 48



Order code, metric
Nominal Conduit size
Metric Thread

Order code, metric	Nominal Conduit size		Metric Thread
	metric, mm	Inch Size	
LBSM 16	16	1/2"	M20
LBSM 21	21	3/4"	M25
LBSM 26	26	1"	M32
LBSM 35	35	1 1/4"	M40
LBSM 40	40	1 1/2"	M50
LBSM 51	51	2"	M63
LBSM 63	63	2 1/2"	M75
LBSM 78	78	3"	M80
LBSM 102	102	4"	M90



Order code, PG
Nominal Conduit size
PG thread

Order code, PG	Nominal Conduit size		PG thread
	metric, mm	Inch Size	
LBSP 16	16	1/2"	PG 16
LBSP 21	21	3/4"	PG 21
LBSP 26	26	1"	PG 29
LBSP 35	35	1 1/4"	PG 36
LBSP 40	40	1 1/2"	PG 42
LBSP 51	51	2"	PG 48

For EMT pipes please order Screw fix type
EMT boru bağlantısı için lütfen vidalı tip sipariş veriniz

Swivel External Adaptor Female Thread

Döner Dış Ağır Hizmet Spiral Boru Rakoru- Boru Tipi



SON 430 20



Technical Properties

Material	Nickel Plated Brass
IP rating	IP65
TYPE	Fixed Body
If used with O-ring IP rating	IP68
Temperature Resistance	-40 C/ +250 C
Application Fields	For attaching to external threads & other fittings
Connection Thread Norms	CONNECTION THREAD "M" - EN 60423 CONNECTION THREAD "PG" - DIN 40430

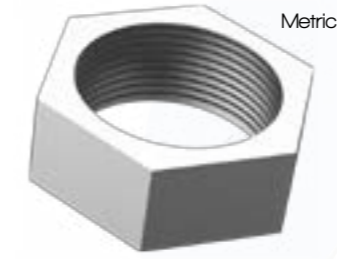


Genel Özellikler

Hammade	Nikel kaplı Piring
IP derecesi	IP65
Tip	DÖNER DIŞ
	O-RING ile kullanıldığında koruma derecesi IP68 yükselir
Sürekli ısıya direnci	-40 C/ +250 C
Bağlantı Dışı Normları	BAĞLANTI DIŞI "M" - EN 60423 BAĞLANTI DIŞI "PG" - DIN 40430

Locknut

Kilitleme somunu

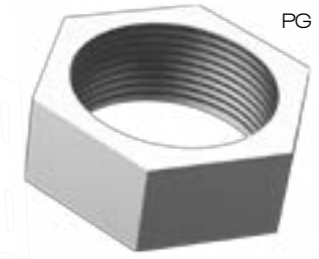


Metric



Technical Properties

Material	Nickel Plated Brass Galvanised steel
Connection Thread Norms	CONNECTION THREAD "M" - EN 60423 CONNECTION THREAD "PG" - DIN 40430



PG



Genel Özellikler

Hammade	Nikel kaplı Piring Galvaniz Saç
Bağlantı Dışı Normları	BAĞLANTI DIŞI "M" - EN 60423 BAĞLANTI DIŞI "PG" - DIN 40430

Order code, metric

Nominal Conduit size

Metric Thread

metric, mm Inch Size

KSM 12	10	1/4"	M12
KSM 16	13	3/8"	M16
KSM 20	16	1/2"	M20
KSM 25	21	3/4"	M25
KSM 32	26	1"	M32
KSM 40	35	1 1/4"	M40
KSM 50	40	1 1/2"	M50
KSM 63	51	2"	M63
KSM 75	63	2 1/2"	M75
KSM 80	78	3"	M80
KSM 90	102	4"	M90

Order code, PG

Nominal Conduit size

PG

PG thread

metric, mm Inch Size

KSPG 9	10	1/4"	PG 9
KSPG 13	13	3/8"	PG 13,5
KSPG 16	16	1/2"	PG 16
KSPG 21	21	3/4"	PG 21
KSPG 29	26	1"	PG 29
KSPG 36	35	1 1/4"	PG 36
KSPG 42	40	1 1/2"	PG 42
KSPG 48	51	2"	PG 48

P-Clip Conduit Support

P-Klips Kroşe



Order code, metric

Nominal Conduit size



Metric Thread



Clamping range, Sıkma aralığı, D, mm

PKL 10	10	1/4"	M6	12-16
PKL 13	13	3/8"	M6	16-20
PKL 16	16	1/2"	M6	20-25
PKL 21	21	3/4"	M6	25-30
PKL 26	26	1"	M6	31-38
PKL 35	35	1 1/4"	M6	38-45
PKL 40	40	1 1/2"	M6	45-52
PKL 51	51	2"	M6	59-66
PKL 63	63	2 1/2"	M6	75-84
PKL 78	78	3"	M6	84-93
PKL 102	102	4"	M6	110-119

Order code, metric

Nominal Conduit size

Metric Thread

metric, mm Inch Size

LBDM 16	16	1/2"	M20x1.5
LBDM 21	21	3/4"	M25x1.5
LBDM 26	26	1"	M32x1.5
LBDM 35	35	1 1/4"	M40x1.5
LBDM 40	40	1 1/2"	M50x1.5
LBDM 51	51	2"	M63x1.5
LBDM 63	63	2 1/2"	M75x1.5
LBDM 78	78	3"	M80x1.5
LBDM 102	102	4"	M90x1.5

Order code, PG

Nominal Conduit size

PG

PG thread

metric, mm Inch Size

LBDP 16	16	1/2"	PG 16
LBDP 21	21	3/4"	PG 21
LBDP 26	26	1"	PG 29
LBDP 35	35	1 1/4"	PG 36
LBDP 40	40	1 1/2"	PG 42
LBDP 51	51	2"	PG 48

For EMT pipes please order Screw fix type
EMT boru bağlantısı için lütfen vidalı tip sipariş veriniz

Standards

Standartlar

Trading sizes according to BSI / BS EN 61386 (British standards)

Trade Size BSI, inch	Metaksan Size, mm	Internal Diameter (iç çap) ID, (mm)		External Diameter (Dış Çap) ED, (mm)		METAKSAN ORDER CODES		
		min.	max.	min.	max.	Galvanized	PVC coated	Liquid tight
						CSB	PSB	LPSB
3/8"	12	12,3	12,8	15,3	15,80	CSB 12	PSB 12	LPSB 12
1/2"	16	15,5	16,0	18,7	19,30	CSB 16	PSB 16	LPSB 16
3/4"	21	20,5	21,0	23,7	24,20	CSB 21	PSB 21	LPSB 21
1"	26	26,4	27,0	30,2	30,80	CSB 26	PSB 26	LPSB 26
1 1/4"	35	34,5	35,0	37,7	38,30	CSB 35	PSB 35	LPSB 35
1 1/2"	40	39,5	40,1	43	43,50	CSB 40	PSB 40	LPSB 40
2"	51	51,3	51,9	54,8	55,40	CSB 51	PSB 51	LPSB 51
2 1/2"	63	62,9	63,6	66,5	67,20	CSB 63	PSB 63	LPSB 63
3"	78	77,9	78,7	81,6	82,40	CSB 78	PSB 78	LPSB 78
4"	102	101,6	102,6	105,5	106,50	CSB 102	PSB 102	LPSB 102

Trading sizes according to UL standards (USA)

Trade Size BSI, inch	Metaksan Size, mm	Internal Diameter (iç çap) ID, (mm)		External Diameter (Dış Çap) ED, (mm)		METAKSAN ORDER CODES	
		min.	max.	min.	max.	Galvanized	PVC coated
						CSB	PSB
3/8"	10	9,5	10,0	12,5	13,00	CSB 10 UL	PSB 10 UL
1/2"	16	15,8	16,2	18,8	19,20	CSB 16 UL	PSB 16 UL
3/4"	21	20,6	21,0	23,6	24,00	CSB 21 UL	PSB 21 UL
1"	26	25,4	26,0	28,4	29,00	CSB 26 UL	PSB 26 UL
1 1/4"	32	31,8	32,2	34,8	35,20	CSB 32 UL	PSB 32 UL
1 1/2"	38	38,1	38,5	41,6	42,00	CSB 38 UL	PSB 38 UL
2"	51	50,8	51,2	54,3	54,70	CSB 51 UL	PSB 51 UL

Trading sizes according to Europe standards

Trade Size BSI, inch	Metaksan Size, mm	Internal Diameter (iç çap) ID, (mm)		External Diameter (Dış Çap) ED, (mm)		METAKSAN ORDER CODES	
		min.	max.	min.	max.	Galvanized	PVC coated
						CSB	PSB
M12	10	9,8	10,2	12,8	13,20	CSB 10 EU	PSB 10 EU
M16	13	12,7	13,2	15,8	16,20	CSB 13 EU	PSB 13 EU
M20	17	16,7	17,2	20,1	20,60	CSB 17 EU	PSB 17 EU
M25	21	20,8	21,3	24,6	25,10	CSB 21 EU	PSB 21 EU
M32	28	27,8	28,4	32	32,60	CSB 28 EU	PSB 28 EU
M40	38	37,4	38,0	42,2	42,80	CSB 38 EU	PSB 38 EU
M50	48	48,1	48,7	52,9	53,50	CSB 48 EU	PSB 48 EU
M63	57	57,1	57,9	62,1	62,90	CSB 57 EU	PSB 57 EU
M75	70	70,0	70,8	75,8	76,60	CSB 70 EU	PSB 70 EU